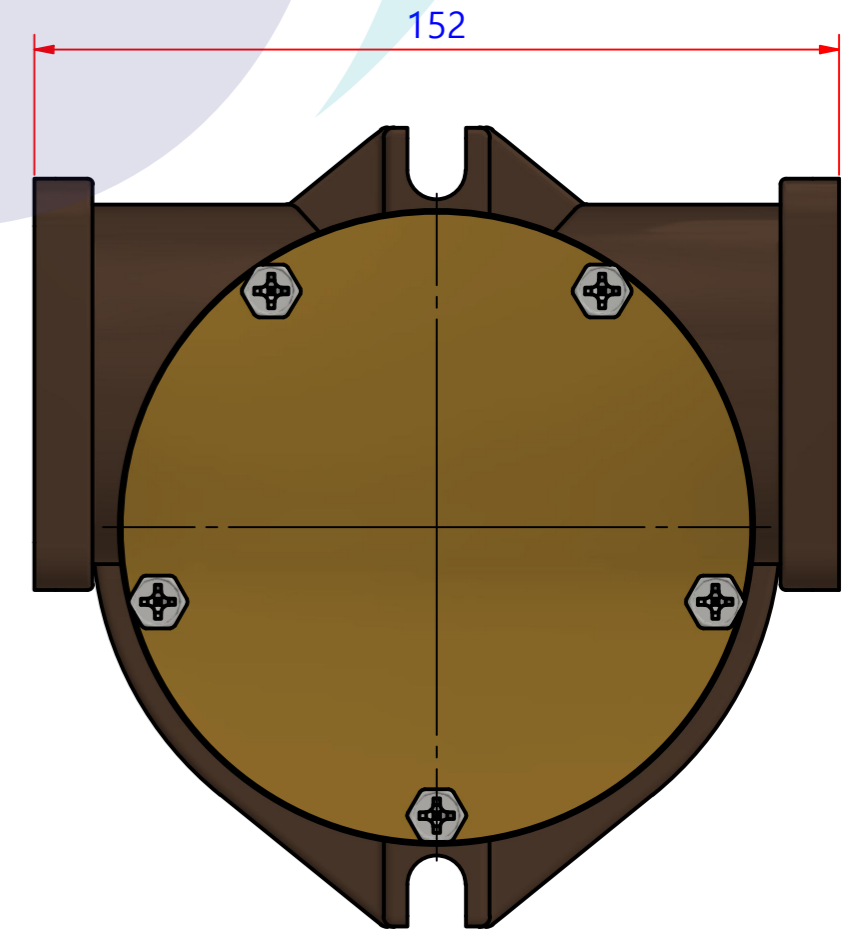
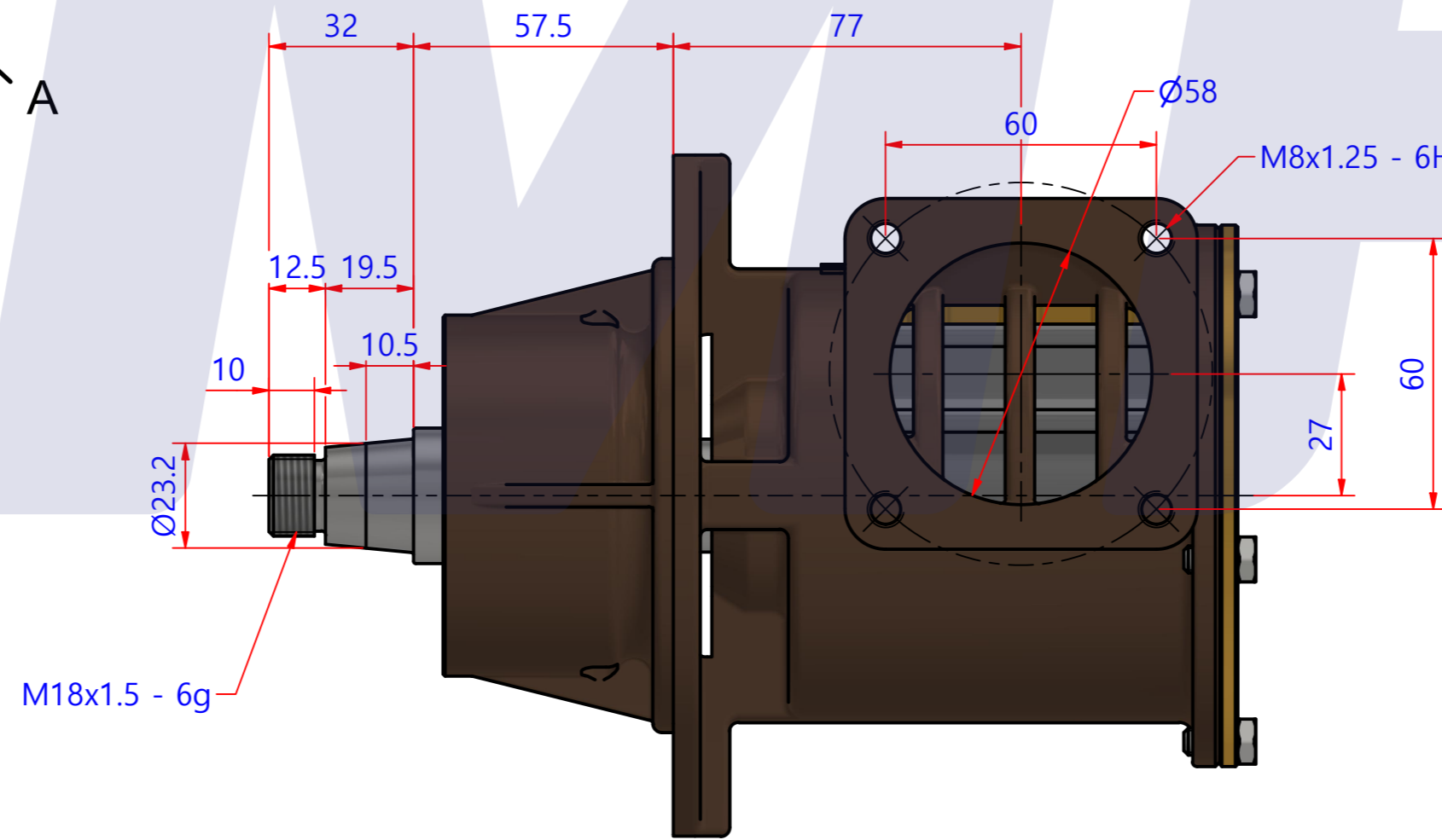
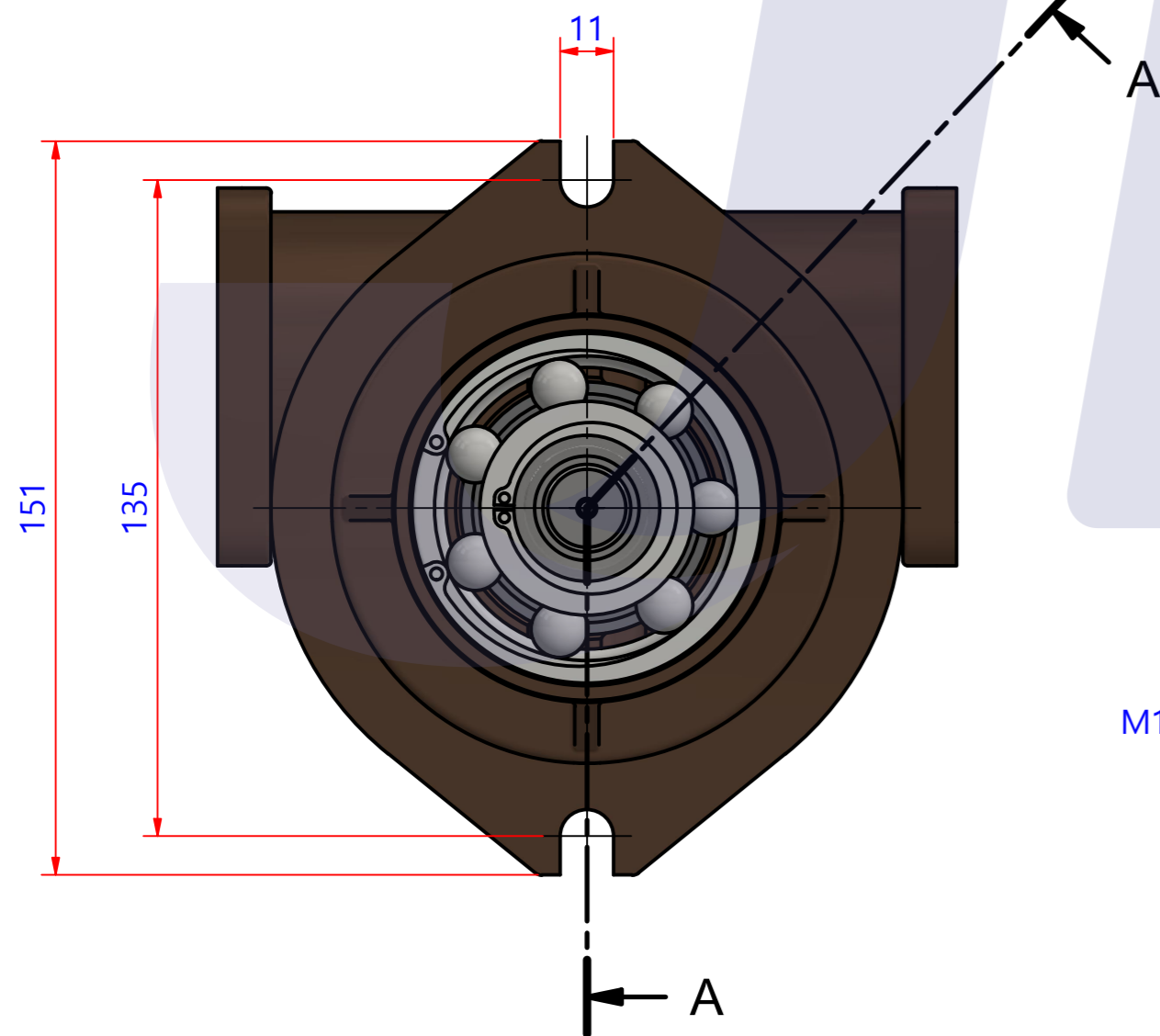
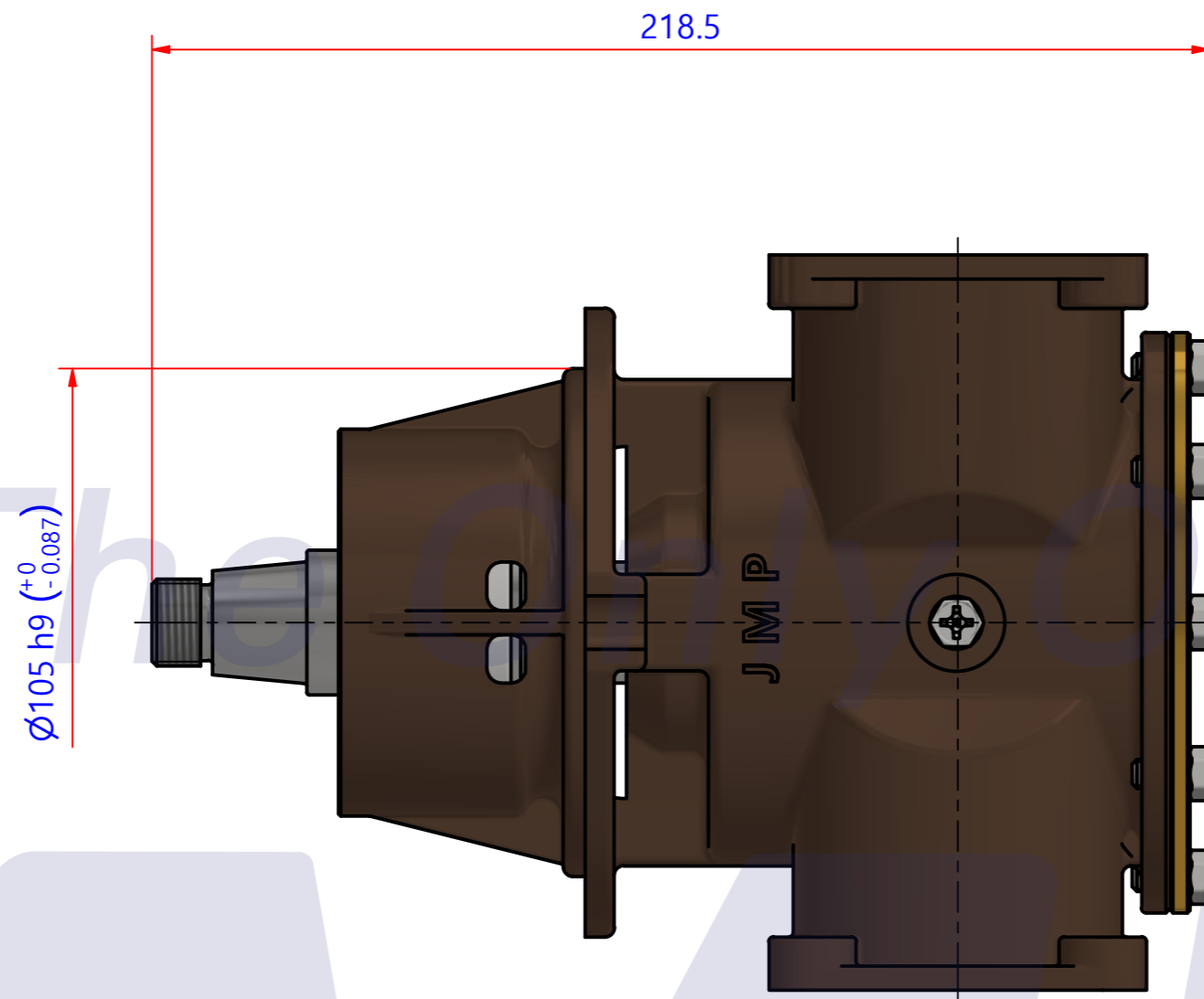
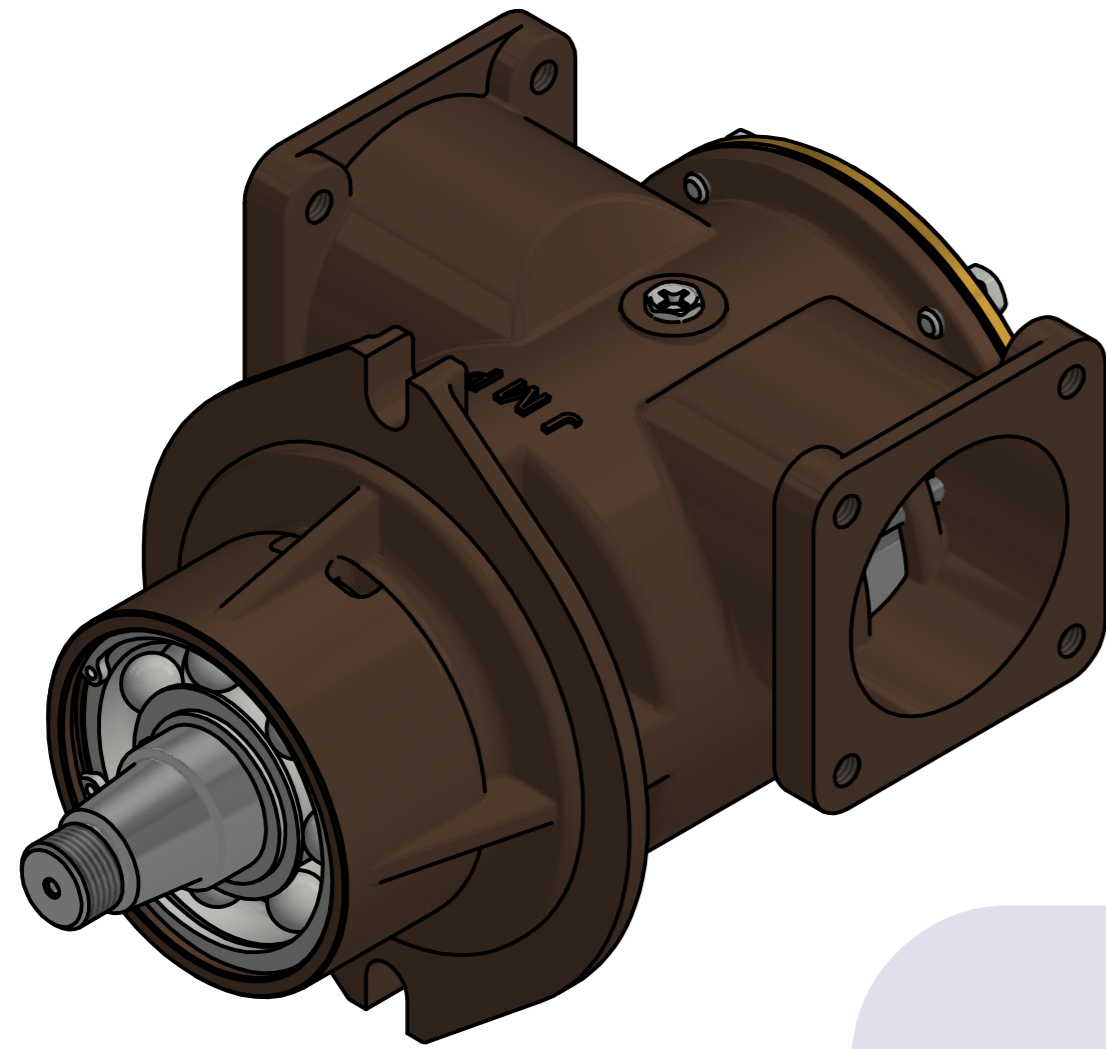


부품 리스트					
항목	수량	부품번호	주제	재질	설명
1	1	PUA0082	PUMP ASSY		SC50IF

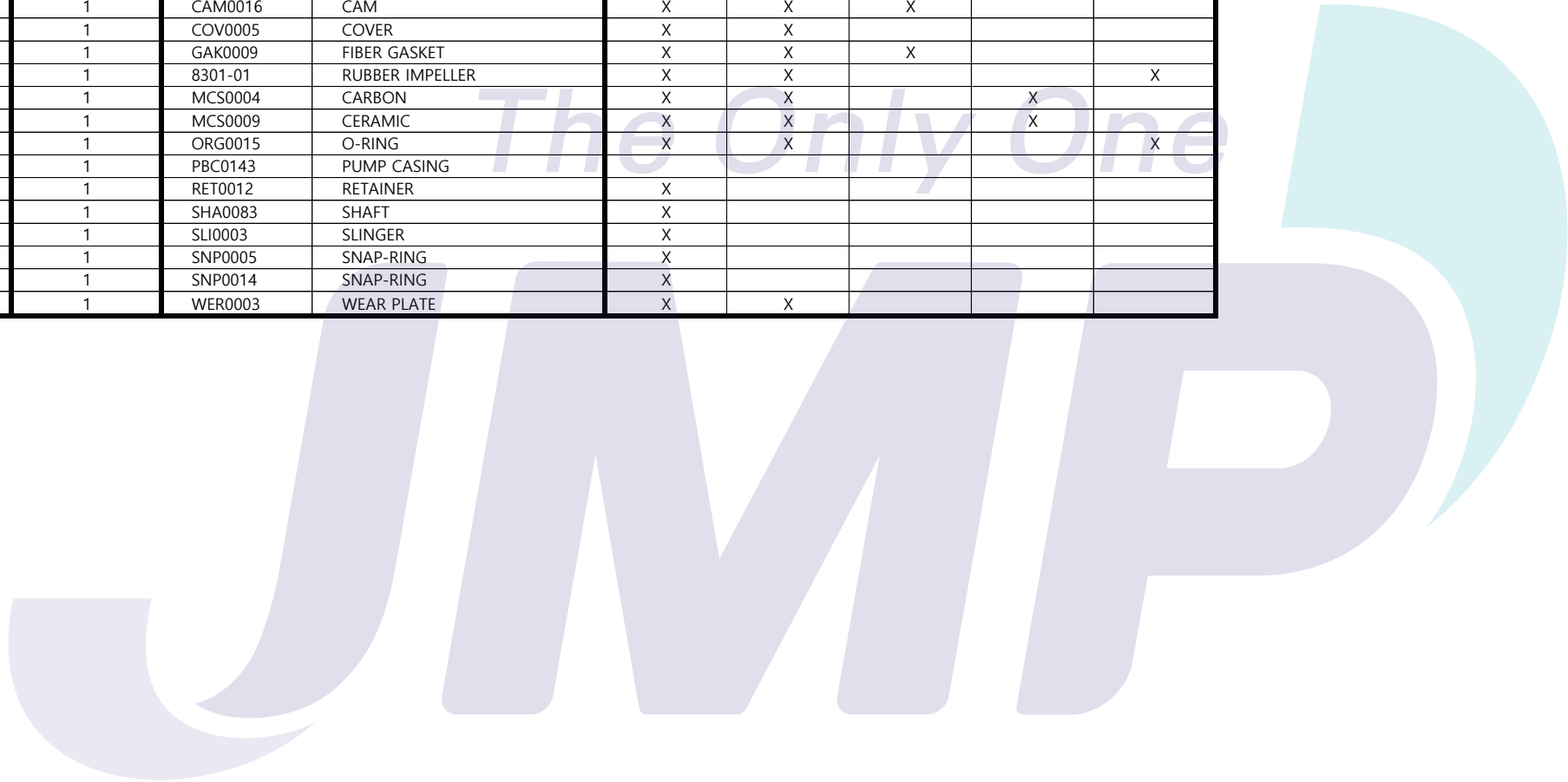


Drawing by	Checked by	Approved by - date	Model Name	Date	Scale
강 명진	Y.D. JEON		JPR-SC50IF	2012-08-20	1 : 1
			PUMP ASSY		
			PART NUMBER	Edition	Sheet
			PUA0082(0)	0	A2

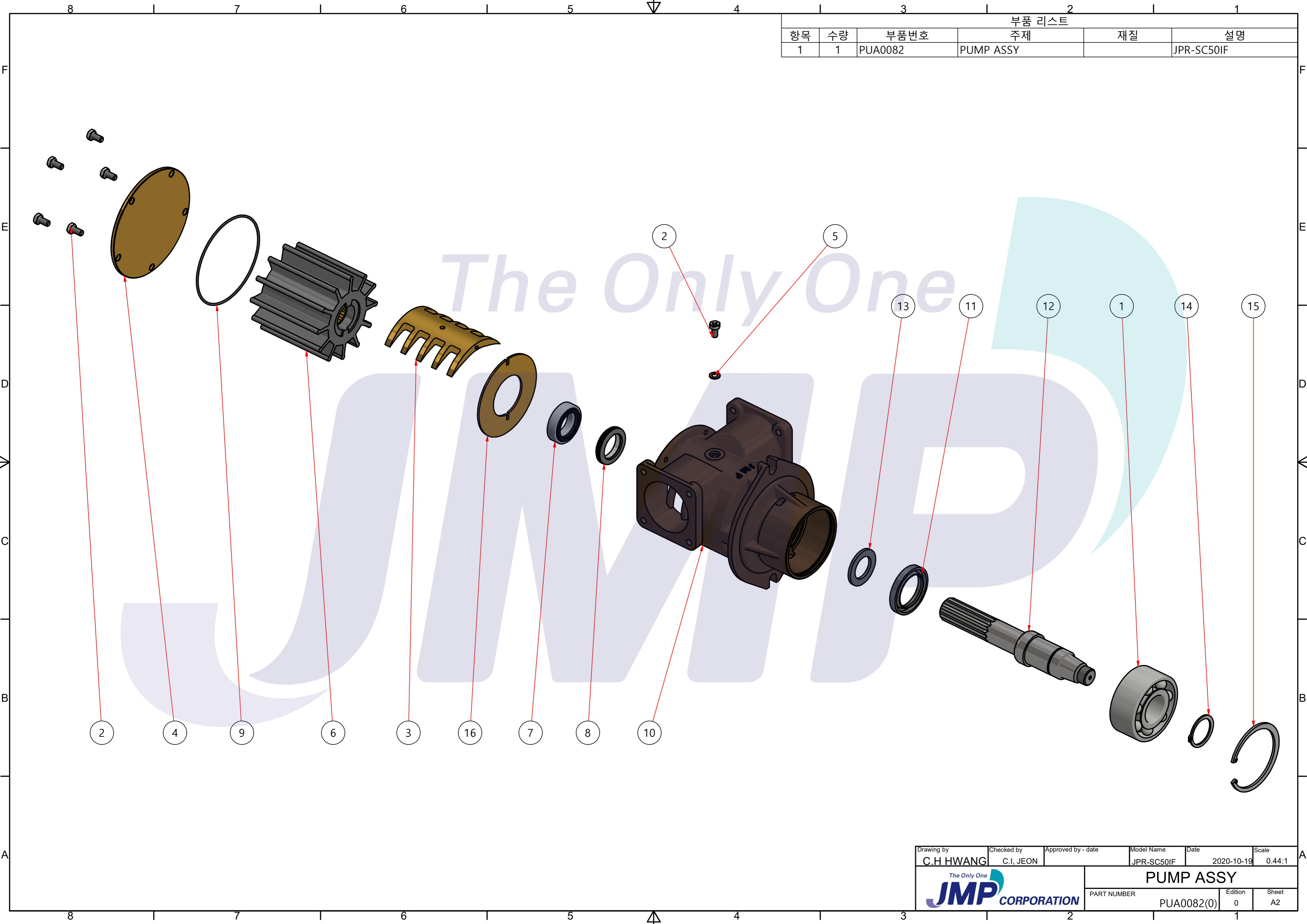
품 번	PUA0082
품 명	JPR-SC501F

A: MAJOR KIT B: MINOR KIT C: CAM SET D: M-SEAL SET E: IMPELLER KIT

No.	QTY	PART NUMBER	PART NAME	A (JSK0028)	B (JSM0033)	C (CAMSET0016)	D (MCSSET0003)	E (JIKJMP046)
1	1	BER0011	BEARING	X				
2	6	BOL0081	HEX BOLT	X	X	X (1)		
3	1	CAM0016	CAM	X	X	X		
4	1	COV0005	COVER	X	X			
5	1	GAK0009	FIBER GASKET	X	X	X		
6	1	8301-01	RUBBER IMPELLER	X	X			X
7	1	MCS0004	CARBON	X	X		X	
8	1	MCS0009	CERAMIC	X	X		X	
9	1	ORG0015	O-RING	X	X			X
10	1	PBC0143	PUMP CASING					
11	1	RET0012	RETAINER	X				
12	1	SHA0083	SHAFT	X				
13	1	SLI0003	SLINGER	X				
14	1	SNP0005	SNAP-RING	X				
15	1	SNP0014	SNAP-RING	X				
16	1	WER0003	WEAR PLATE	X	X			



부품 리스트					
항목	수량	부품번호	주제	재질	설명
1	1	PUA0082	PUMP ASSY		JPR-SC50IF



Drawing by C.H HWANG	Checked by C.I, JEON	Approved by - date	Model Name JPR-SC50IF	Date 2020-10-19	Scale 0.44:1
			PUMP ASSY		
			PART NUMBER PUA0082(0)	Edition 0	Sheet A2