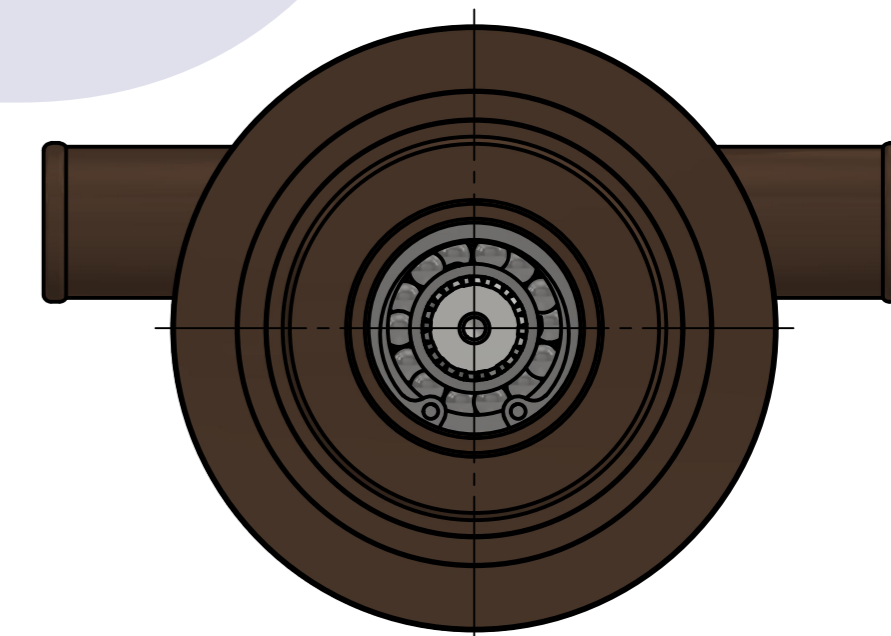
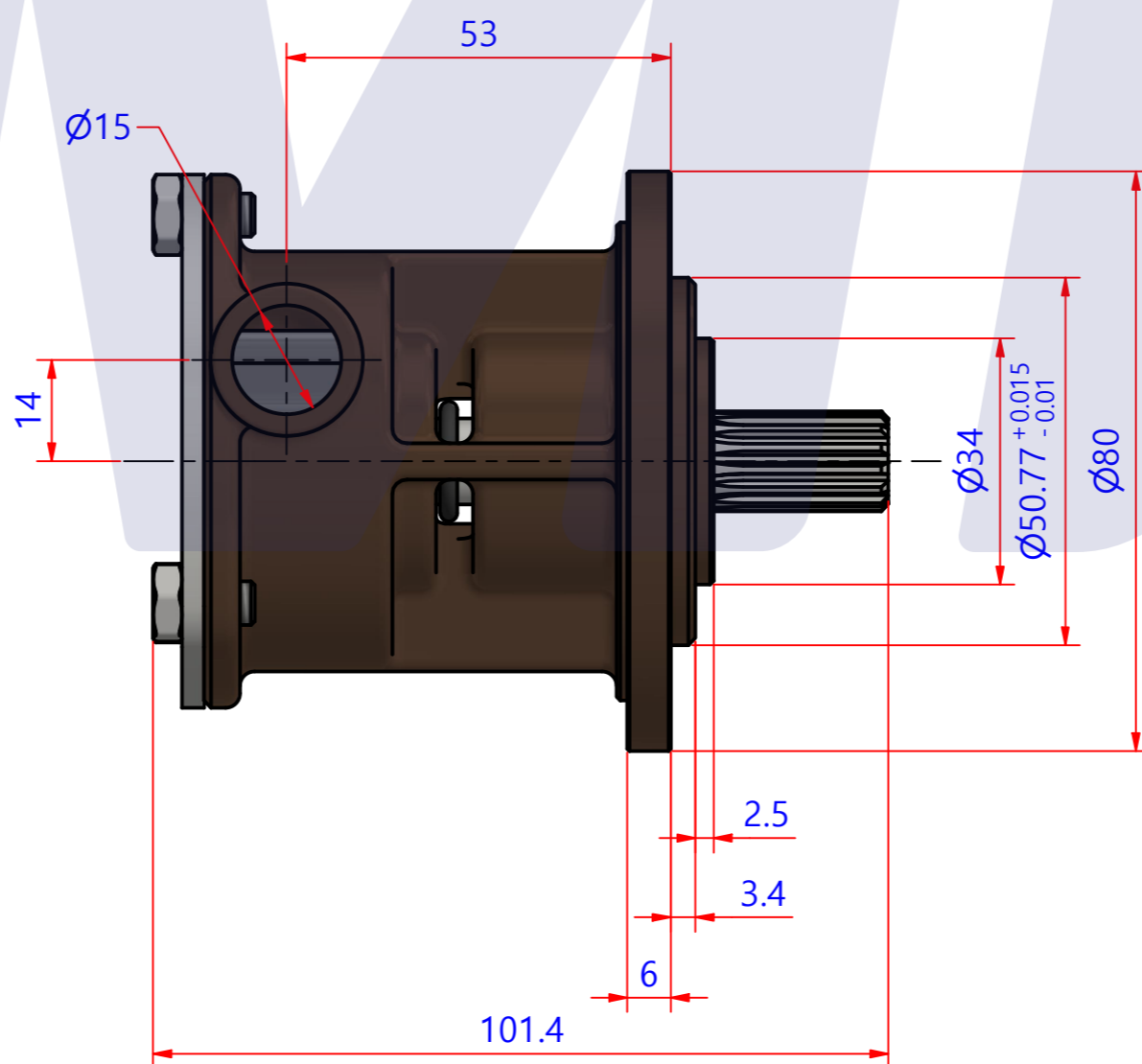
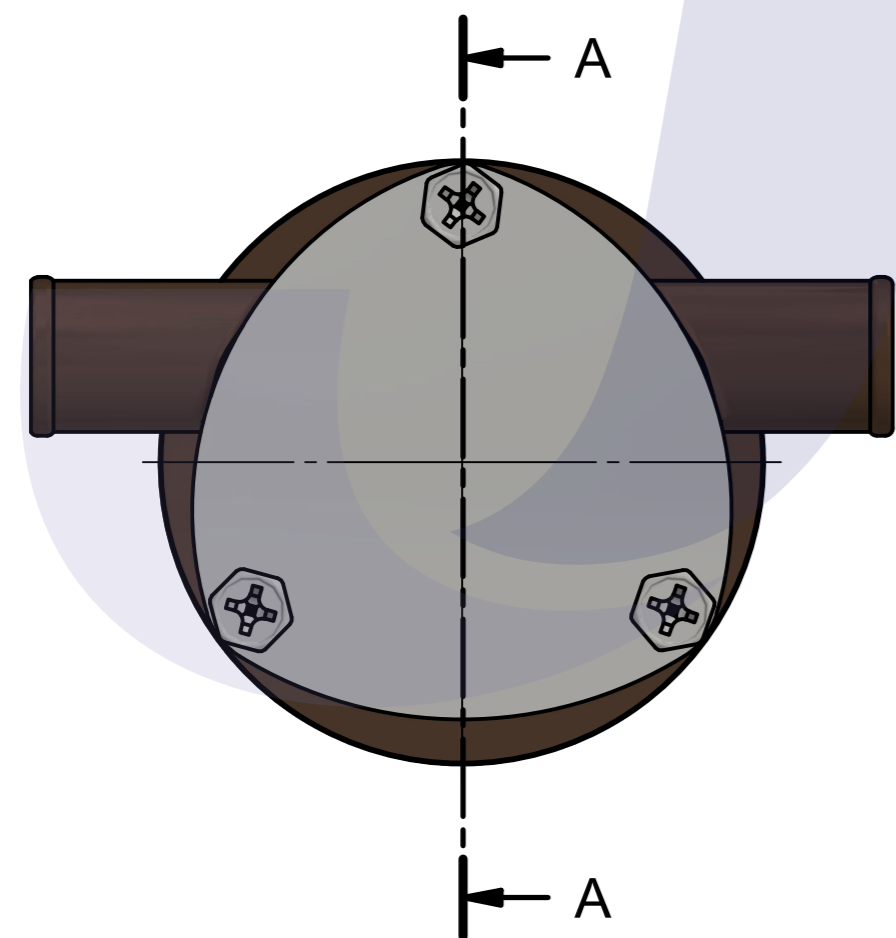
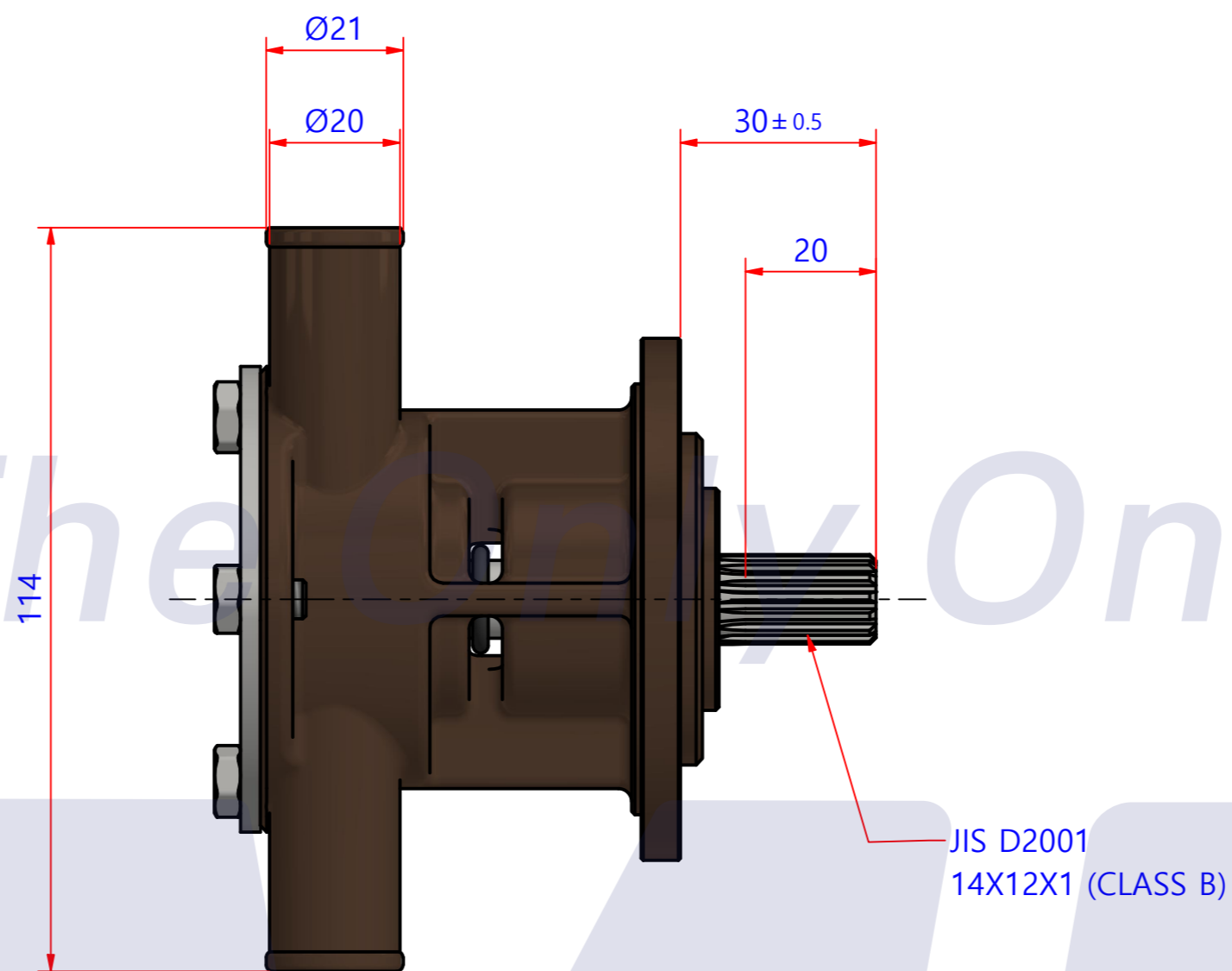
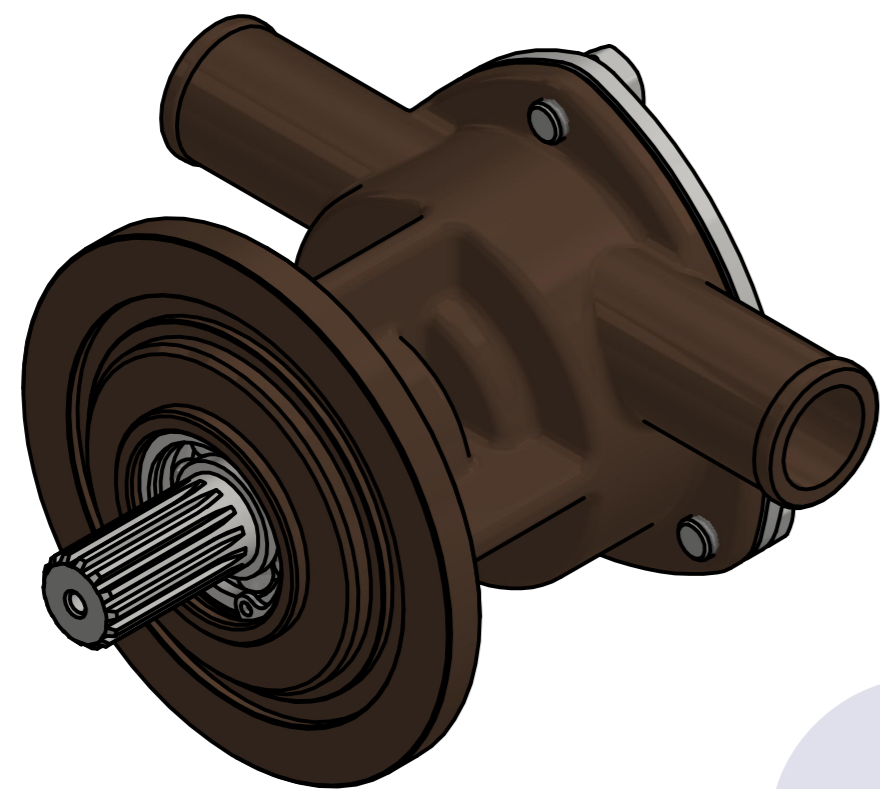


PART LIST					
항목	수량	부품번호	주제	재질	설명
1	1	PUA0108	PUMP ASSY		CM08IH-1



Drawing by	Checked by	Approved by - date	Model Name	Date	Scale
강 명진	Y.D. JEON		JPR-CM08IH-1	2014-07-08	1:1
			PUMP ASSY"		
			PART NUMBER	PUA0108(0)	Sheet A2
			Edition	0	

품 번	PUA108
품 명	JPR-CM08IH-1

A: MAJOR KIT B: MINOR KIT C: IMPELLER KIT

No.	QTY	PART NUMBER	PART NAME	A (JSK0088)	B (JSM0092)	C (JIKJMP010)
1	2	BER0056	BEARING	X		
2	3	BOL0080	HEX BOLT	X	X	
3	1	COV0044	COVER	X	X	
4	1	7070-01	RUBBER IMPELLER	X	X	X
5	1	ORG0052	O-RING	X	X	X
6	1	ORG0053	O-RING	X		
7	1	PBC0183	PUMP CASING			
8	2	RET0046	RETAINER	X	X (1)	
9	1	SHA0101	SHAFT	X		
10	1	SNP0024	SNAP-RING	X		
11	2	SNP0027	SNAP-RING	X		

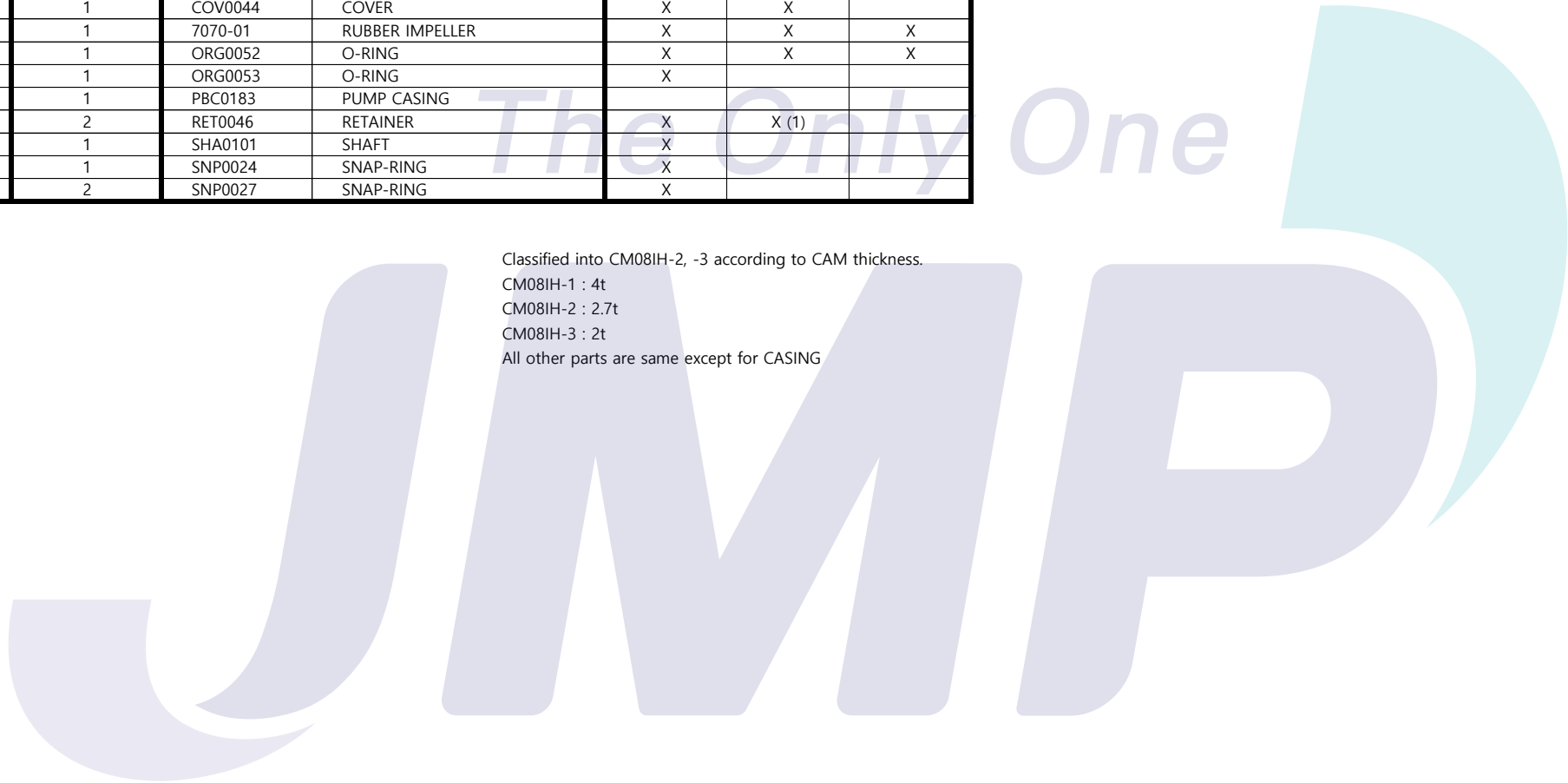
Classified into CM08IH-2, -3 according to CAM thickness.

CM08IH-1 : 4t

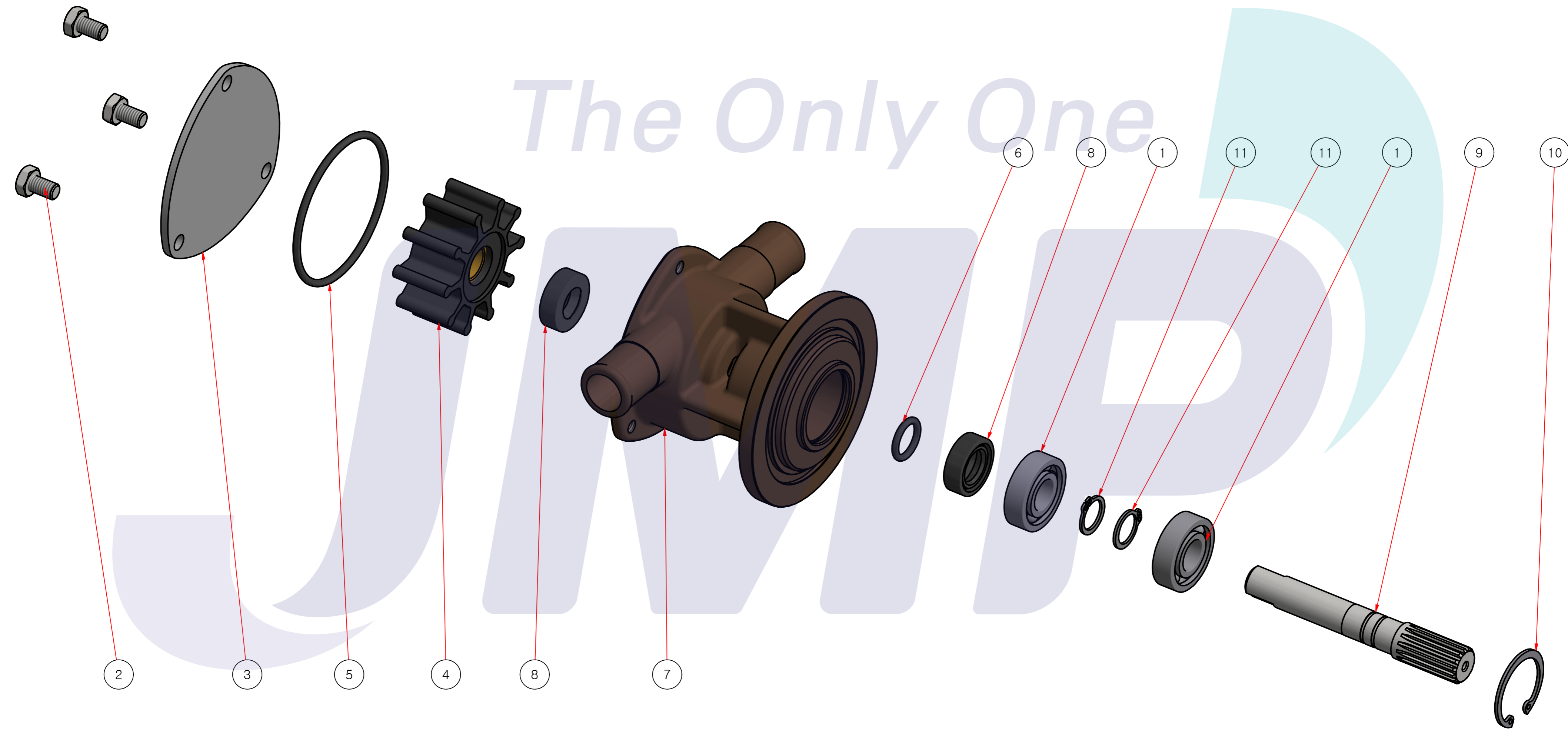
CM08IH-2 : 2.7t

CM08IH-3 : 2t

All other parts are same except for CASING



PART LIST					
No.	QTY	PART NUMBER	PART NAME	MAT	DESCRIPTION
1	1	PUA0108	PUMP ASSY		JPR-CM08IH



Drawing by	Checked by	Approved by - date	Model Name	Date	Scale
강 명진	Y.D. JEON		JPR-CM08IH-01	2014-11-04	1 : 1
			PUMP PART'S VIEW		
			PART NUMBER	Edition	Sheet
			PUA0108(0)	0	A2