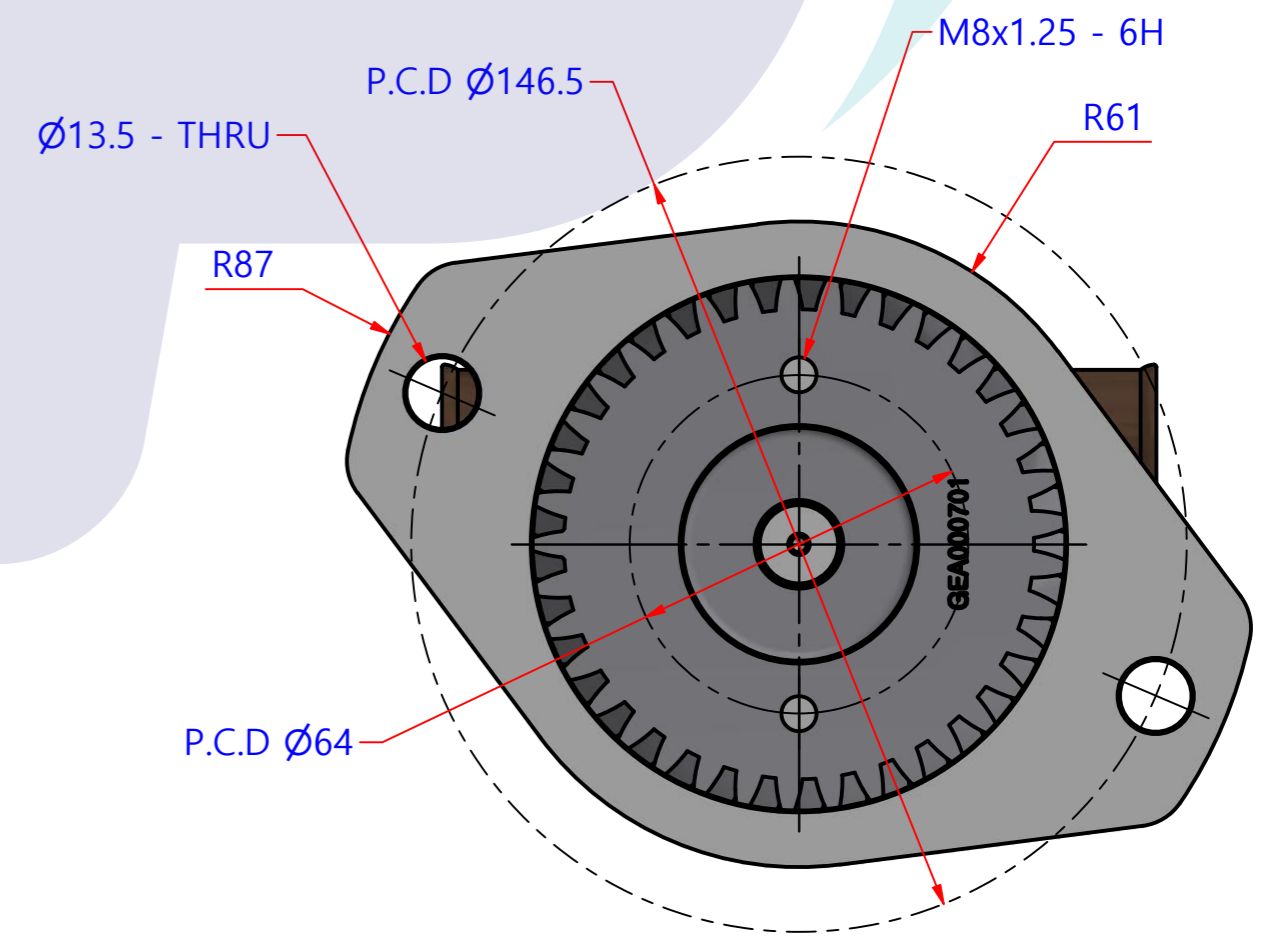
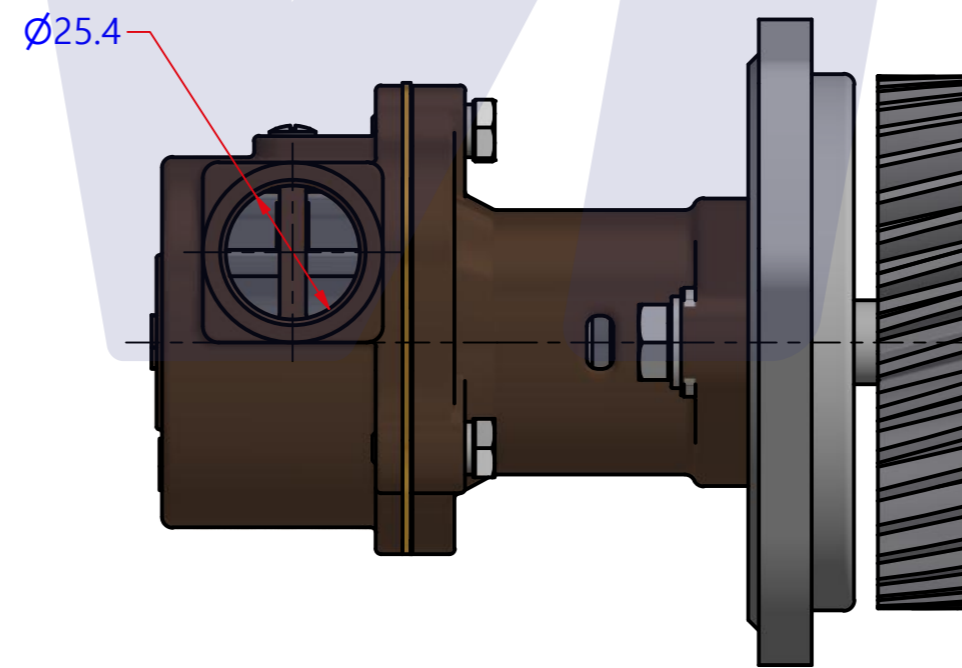
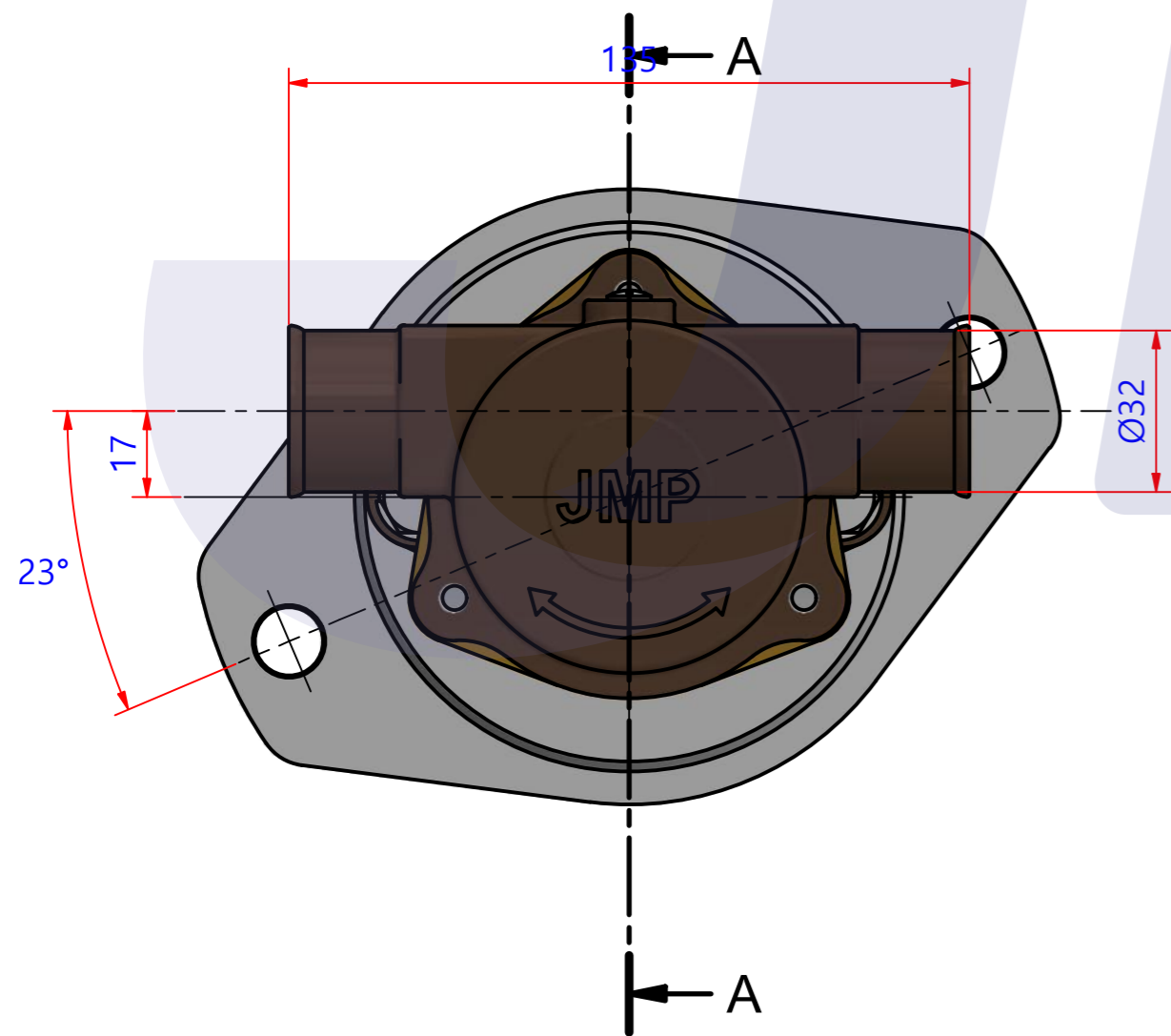
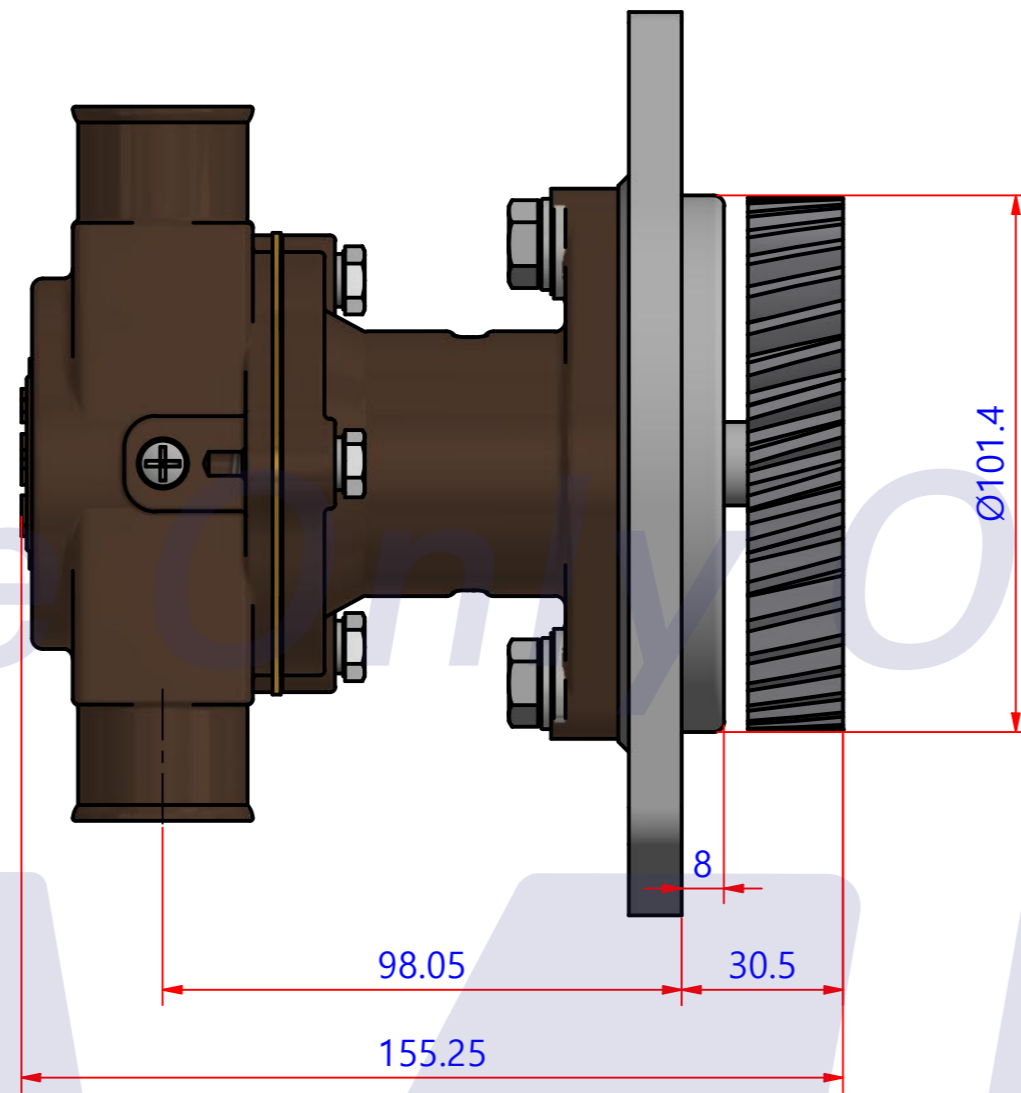
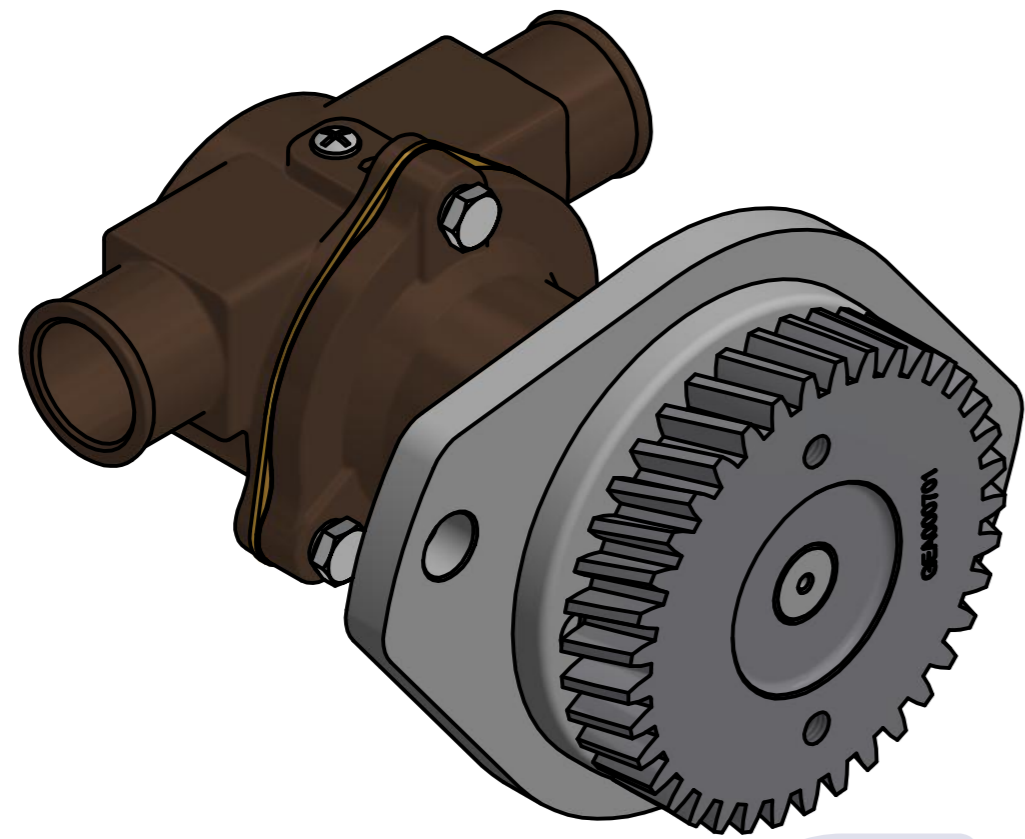


PART LIST					
No.	QTY	PART NUMBER	PART NAME	MAT	DESCRIPTION
1	1	PUA0054	PUMP ASSY		JPR-C1025



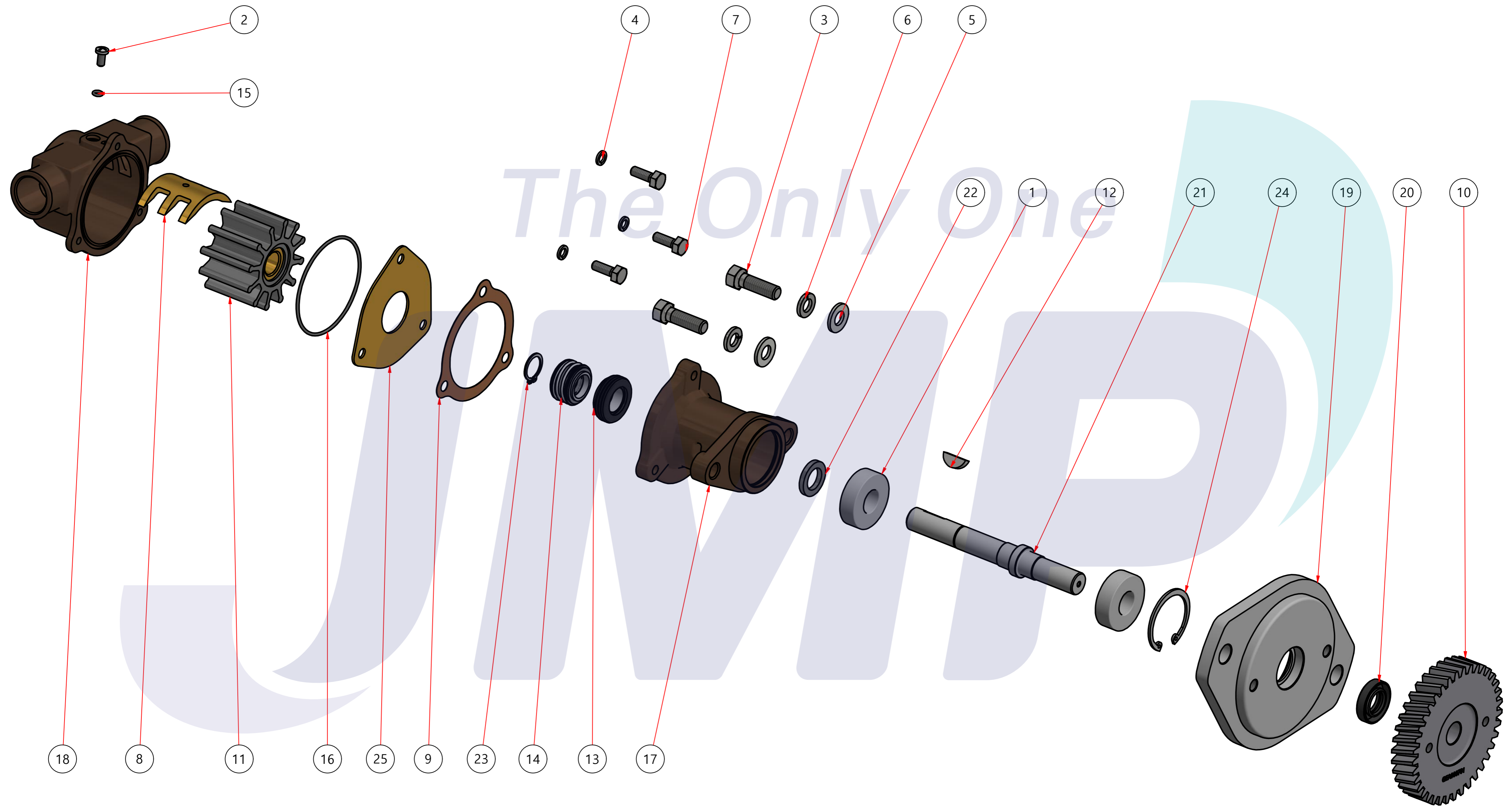
Drawing by	Checked by	Approved by - date	Model Name	Date	Scale
M.J.KANG	C.I. JEON		JPR-C1025	2017-12-05	1 : 1
			PUMP ASSY		
			PART NUMBER	Edition	Sheet
			PUA0054(0)	0	A2


품 번	PUA0054
품 명	JPR-C1025

A: MAJOR KIT B: MINOR KIT C: CAM SET D: M-SEAL SET E: IMPELLER KIT

No.	QTY	PART NUMBER	PART NAME	A (JSK0047)	B (JSM0047)	C (CAMSET0020)	D (MCSSET0001)	E (JIKJMP021)
1	2	BER0002	BEARING	X				
2	1	BOL0001	SCREW	X	X	X		
3	2	BOL0017	HEX BOLT					
4	3	BOL0035	SPRING WASHER					
5	2	BOL0044	FLAT WASHER					
6	2	BOL0045	SPRING WASHER					
7	3	BOL0095	HEX BOLT					
8	1	CAM0020	CAM	X	X	X		
9	1	GAK0023	GASKET	X	X			X
10	1	GEA0007	GEAR					
11	1	7300-01	RUBBER IMPELLER	X	X			X
12	1	KEY0016	KEY	X	X			
13	1	MCS001301	CERAMIC	X	X		X	
14	1	MCS001601	CARBON	X	X		X	
15	1	ORG000101	O-RING	X	X	X		
16	1	ORG0013	O-RING	X	X			X
17	1	PBC0091	PUMP CASING / BER					
18	1	PBC0092	PUMP CASING / IMP	X				
19	1	PBC0093	PUMP ADAPTER					
20	1	RET0018	RETAINER	X				
21	1	SHA0051	SHAFT	X				
22	1	SLI0005	SLINGER	X				
23	1	SNP0006	SNAP-RING	X	X			
24	1	SNP0009	SNAP-RING	X				
25	1	WER0014	WEAR PLATE	X	X			

PART LIST					
No.	QTY	PART NUMBER	PART NAME	METERIAL	DESCRIPTION
1	1	PUA0054	PUMP ASSY		JPR-C1025



Drawing by	Checked by	Approved by - date	Model Name	Date	Scale
강 명진	Y.D. JEON		JPR-C1025	2013-08-01	1 : 1
			<b>PUMP PART'S VIEW</b>		
			PART NUMBER	Edition	Sheet
			PUA0054(0)	0	A2