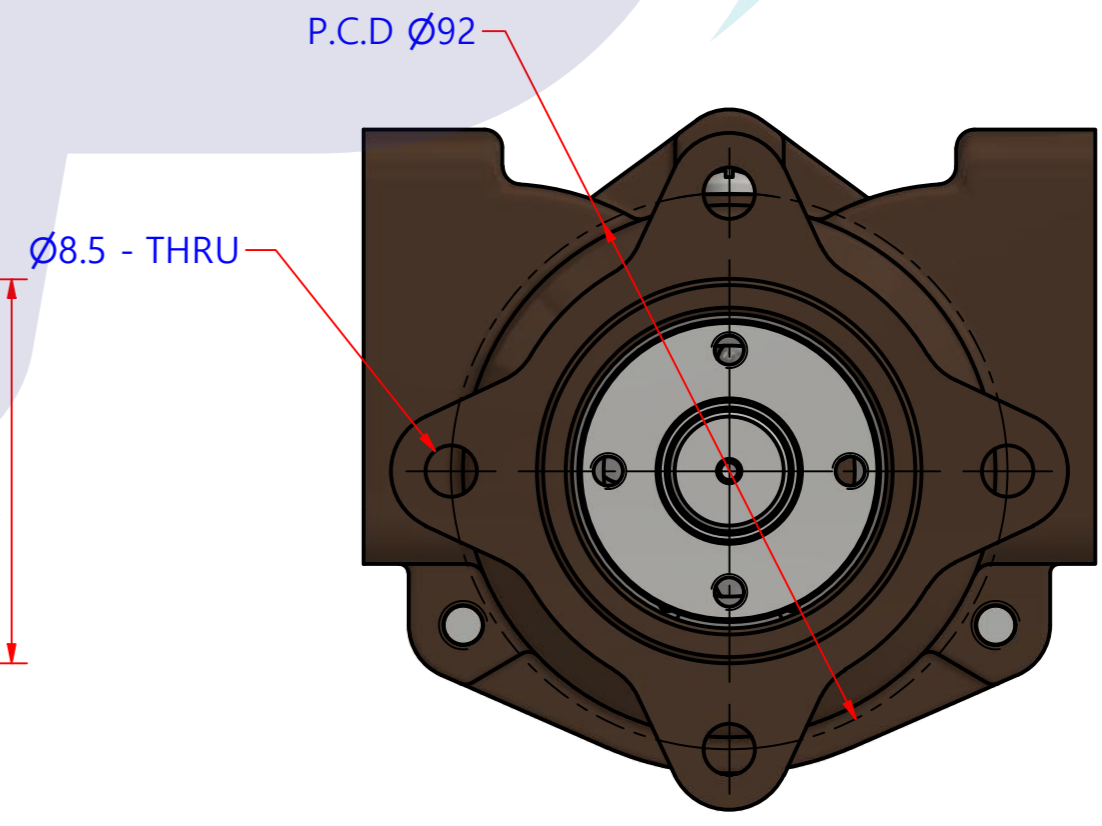
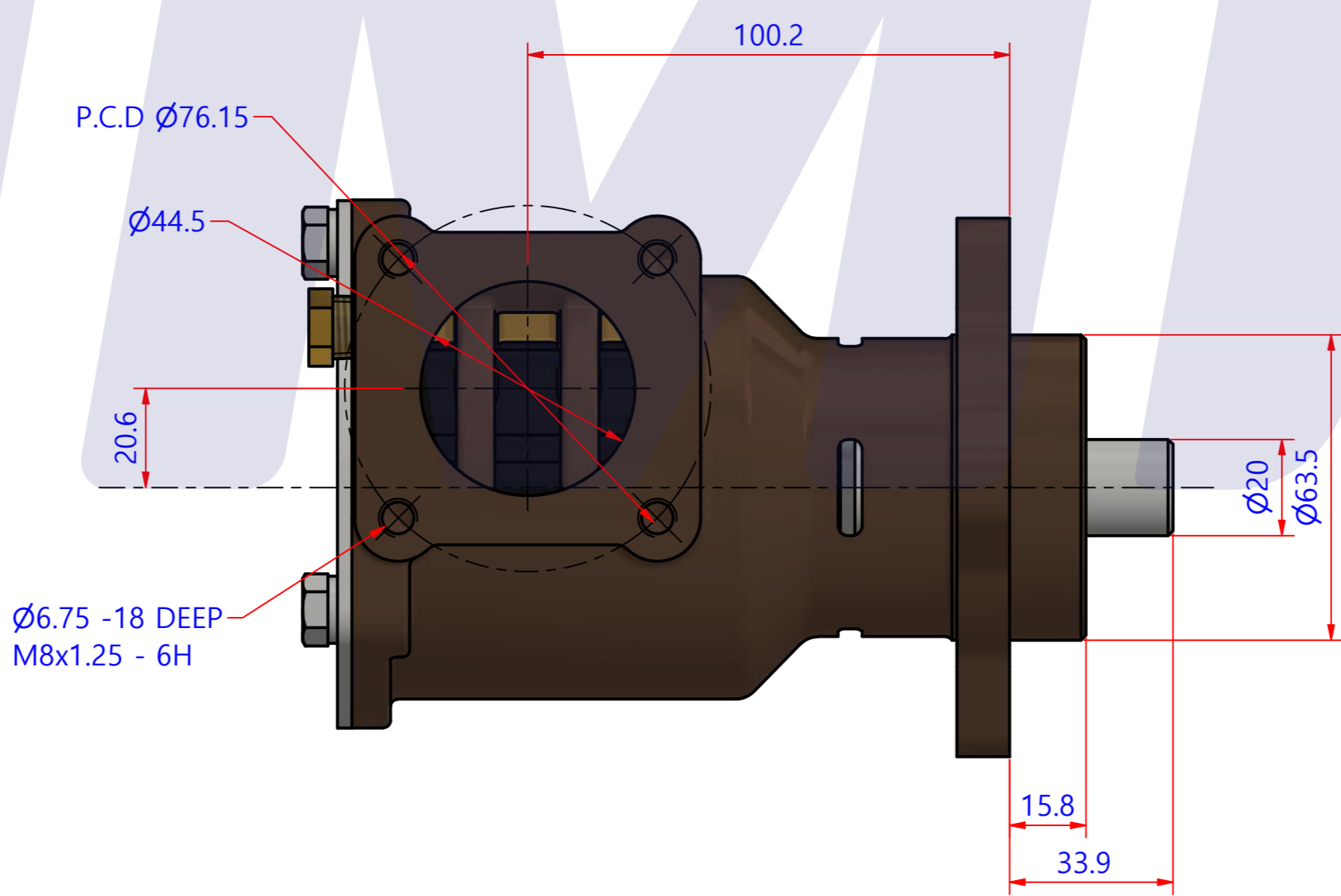
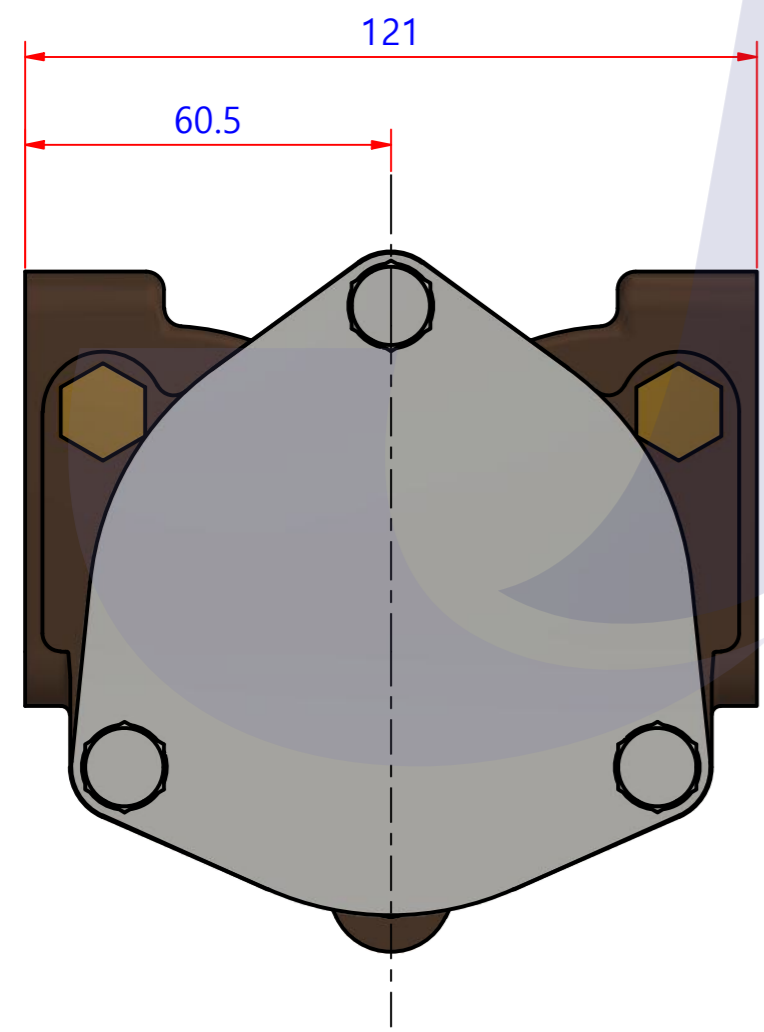
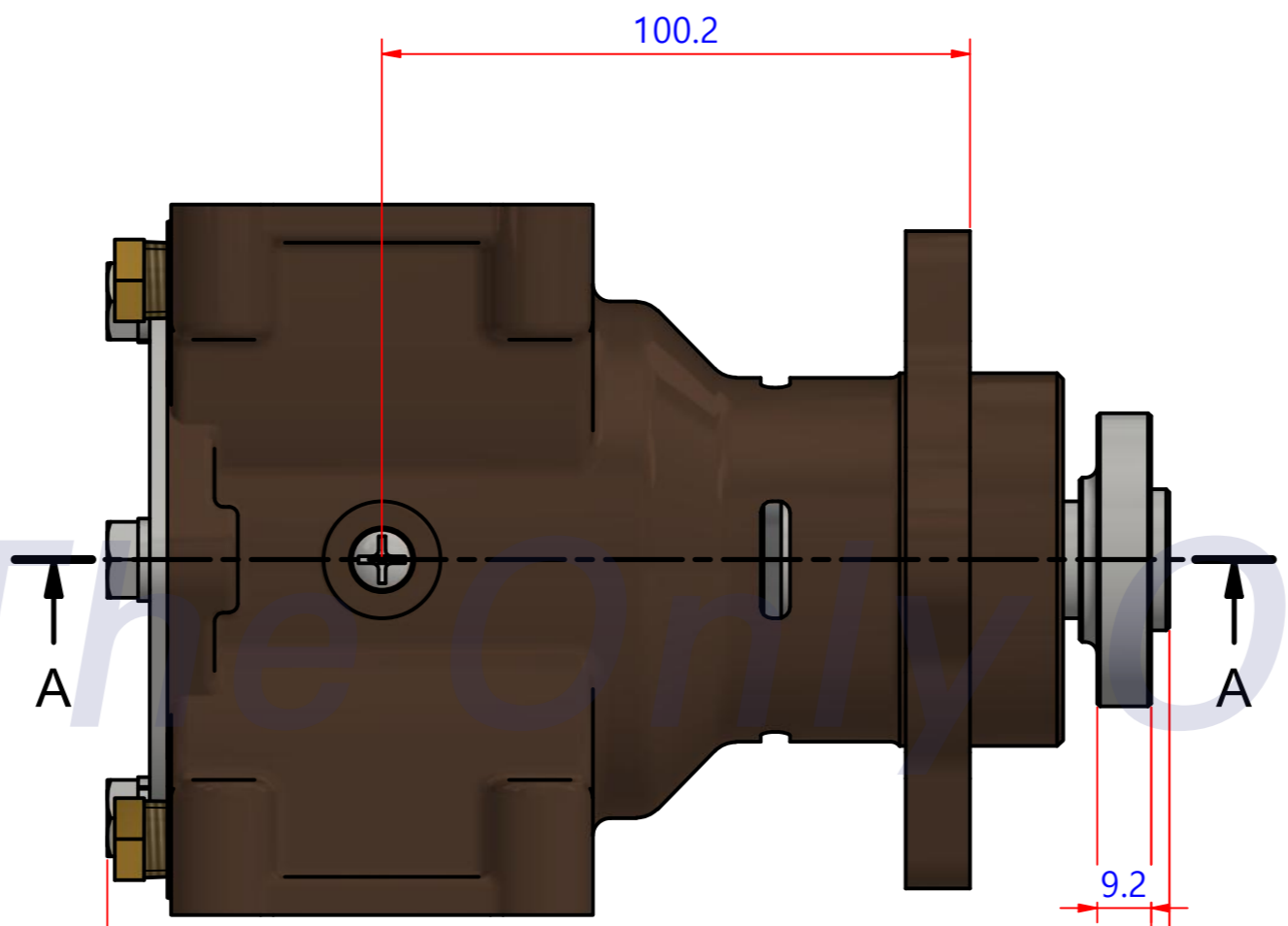
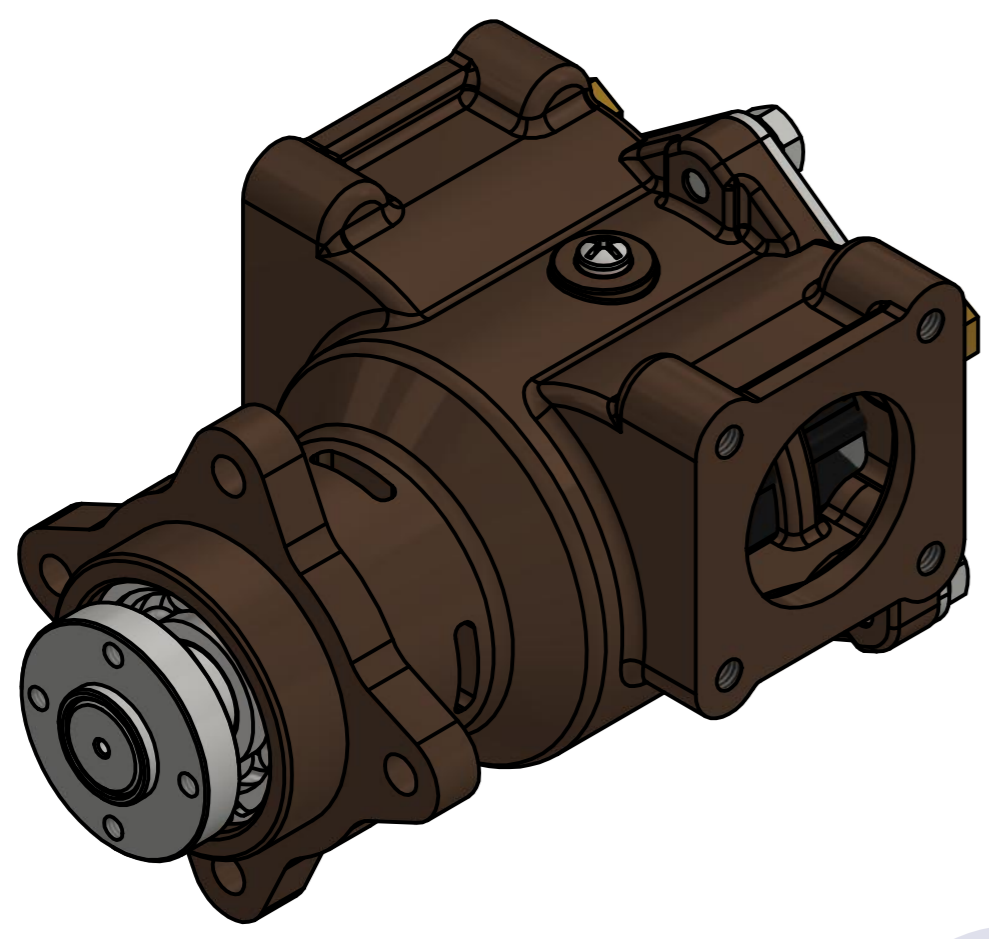


부품 리스트					
항목	수량	부품번호	주제	재질	설명
1	1	PUA0078	PUMP ASSY		JPR-S7608



Ø6.75 -18 DEEP
M8x1.25 - 6H

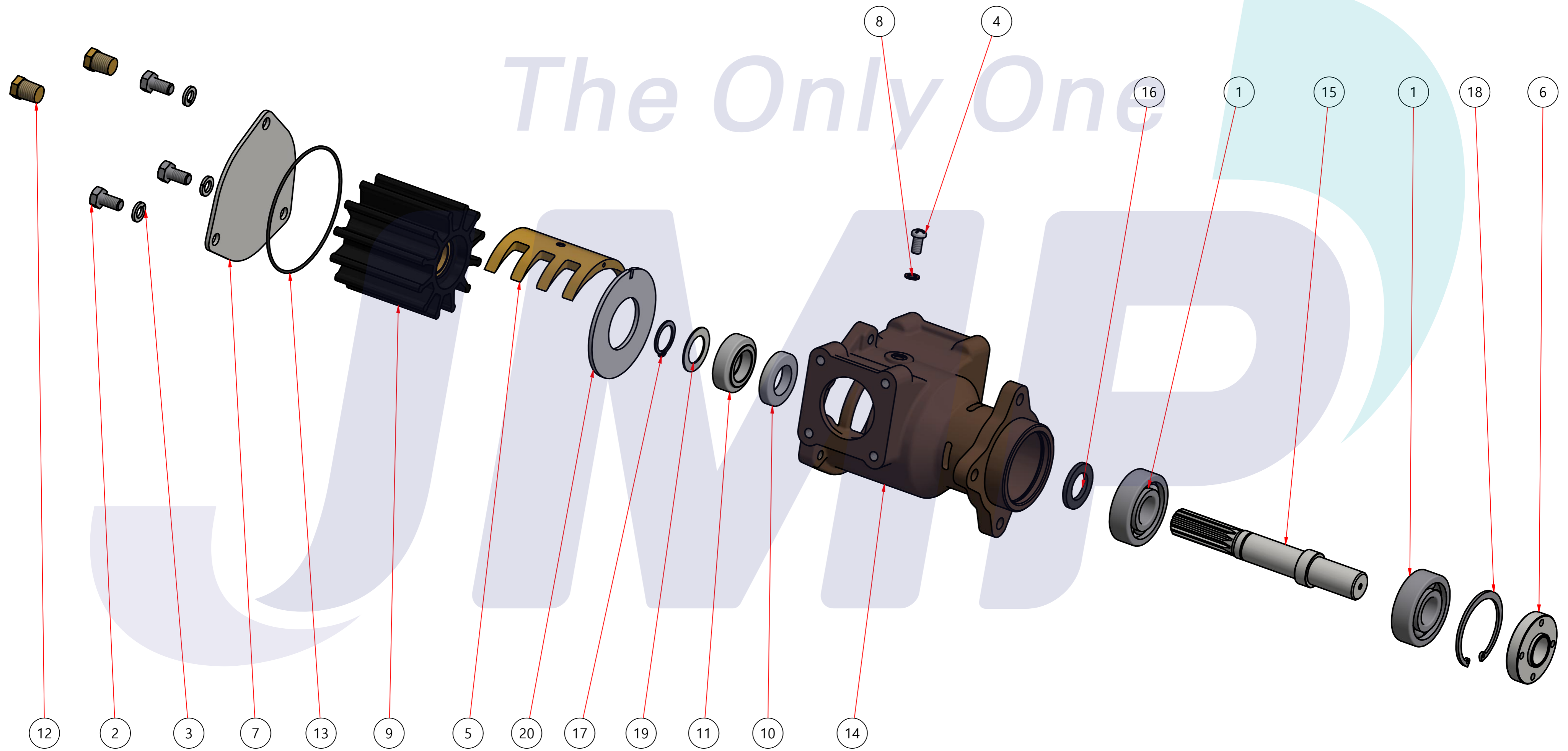
Drawing by	Checked by	Approved by - date	Model Name	Date	Scale
강 명진	Y.D. JEON		JPR-S7608	2012-06-08	1:1
			PUMP ASSY		
			PART NUMBER	Edition	Sheet
			PUA0078(0)	0	A2


품 번	PUA0078
품 명	JPR-S7608

A: MAJOR KIT B: MINOR KIT C: CAM SET D: M-SEAL SET E: IMPELLER KIT

No.	QTY	PART NUMBER	PART NAME	A (JSK0068)	B (JSM0002)	C (CAMSET0031)	D (MCSSET0014)	E (JIKJMP035)
1	2	BER0039	BEARING	X				
2	3	BOL0006	HEX BOLT	X	X			
3	3	BOL0036	SPRING WASHER	X	X			
4	1	BOL0099	SCREW	X	X	X		
5	1	CAM0031	CAM	X	X	X		
6	1	COU0003	HUB					
7	1	COV0036	COVER	X	X			
8	1	GAK0009	FIBER GASKET	X	X	X		
9	1	7608-01	RUBBER IMPELLER	X	X			X
10	1	MCS0033	CERAMIC	X	X		X	
11	1	MCS0034	CARBON	X	X		X	
12	2	NIP0016	PLUG					
13	1	ORG0030	O-RING	X	X			X
14	1	PBC0133	PUMP CASING					
15	1	SHA0079	SHAFT	X				
16	1	SLI0006	SLINGER	X				
17	1	SNP000301	SNAP-RING	X	X		X	
18	1	SNP0011	SNAP-RING	X				
19	1	SPC0015	SPACER	X	X		X	
20	1	WER0019	WEAR PLATE	X	X			

PART LIST					
No.	QTY	PART NUMBER	PART NAME	MAT	DESCRIPTION
1	1	PUA0078	PUMP ASSY		JPR-S7608



Drawing by	Checked by	Approved by - date	Model Name	Date	Scale
강 명진	Y.D. JEON		JPR-S7608	2013-08-07	1 : 1
			PUMP PART'S VIEW		
			PART NUMBER	Edition	Sheet
			PUA0078(0)	0	A2