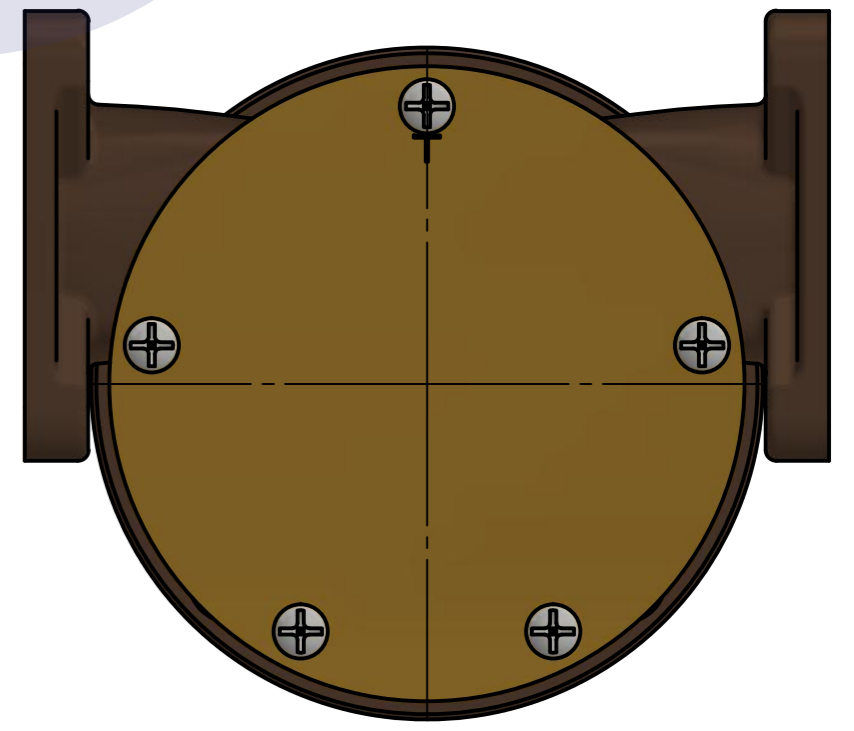
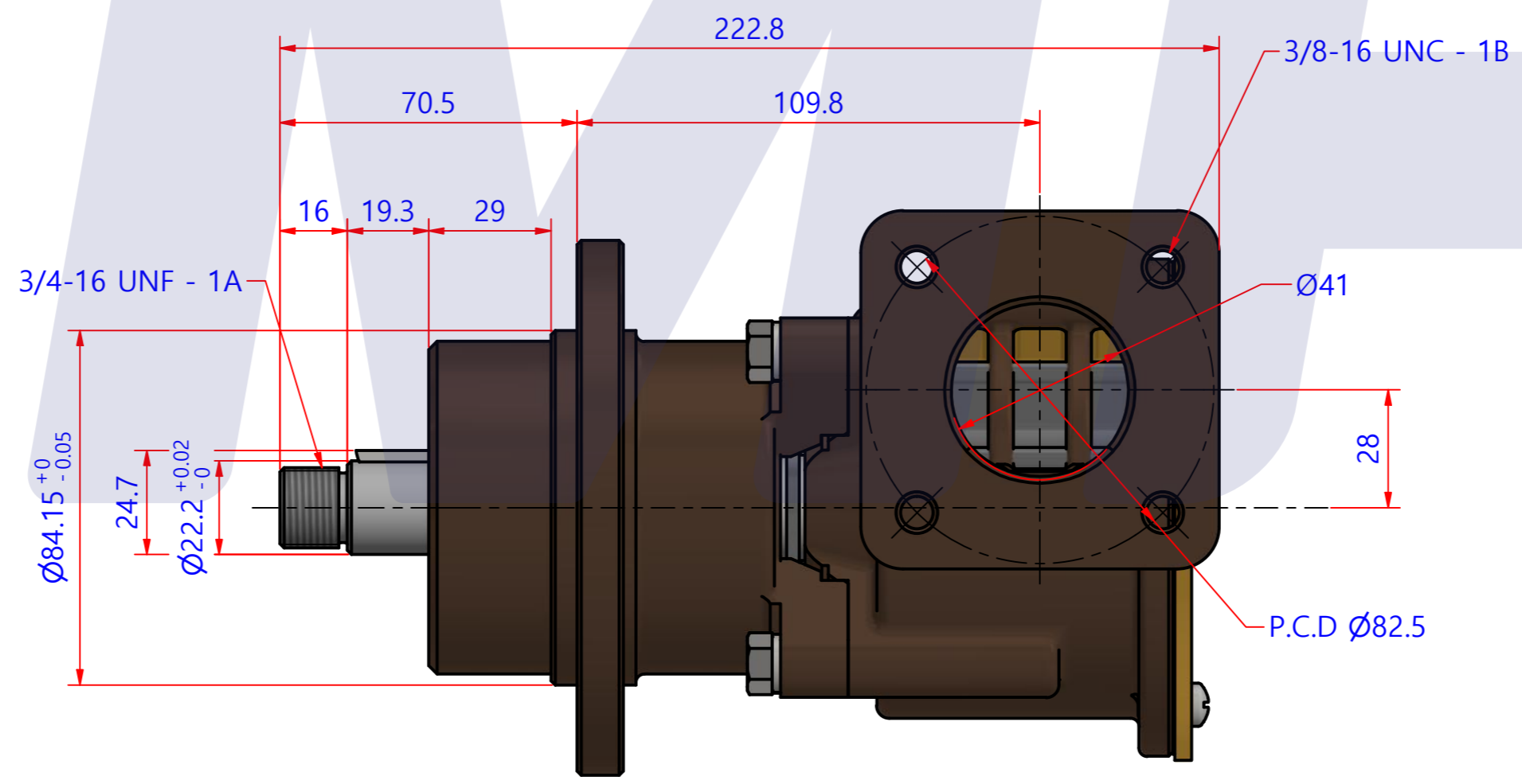
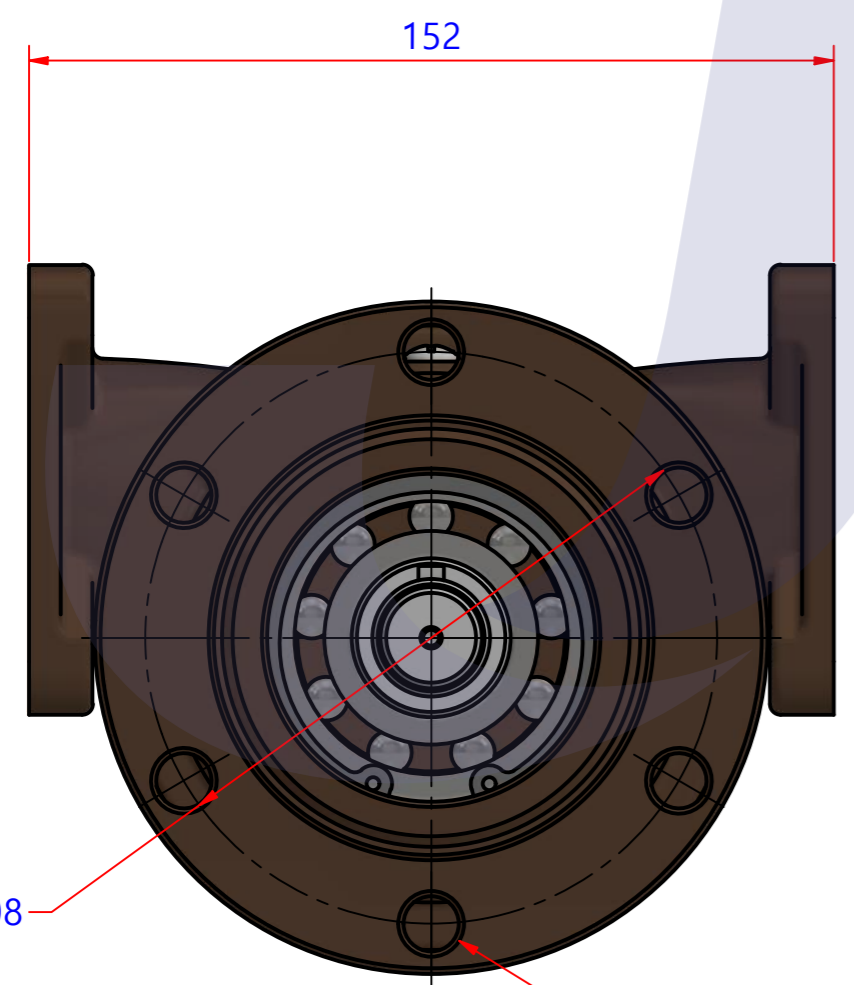
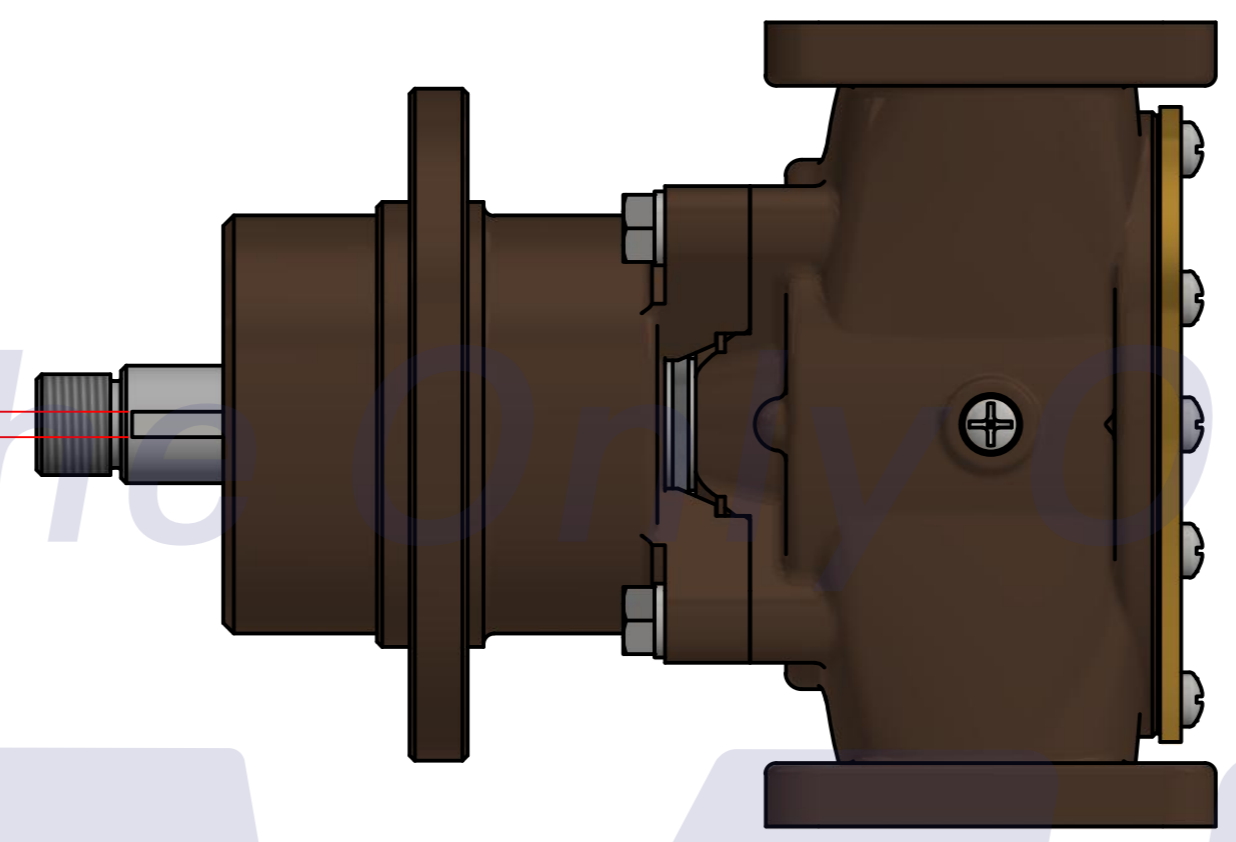
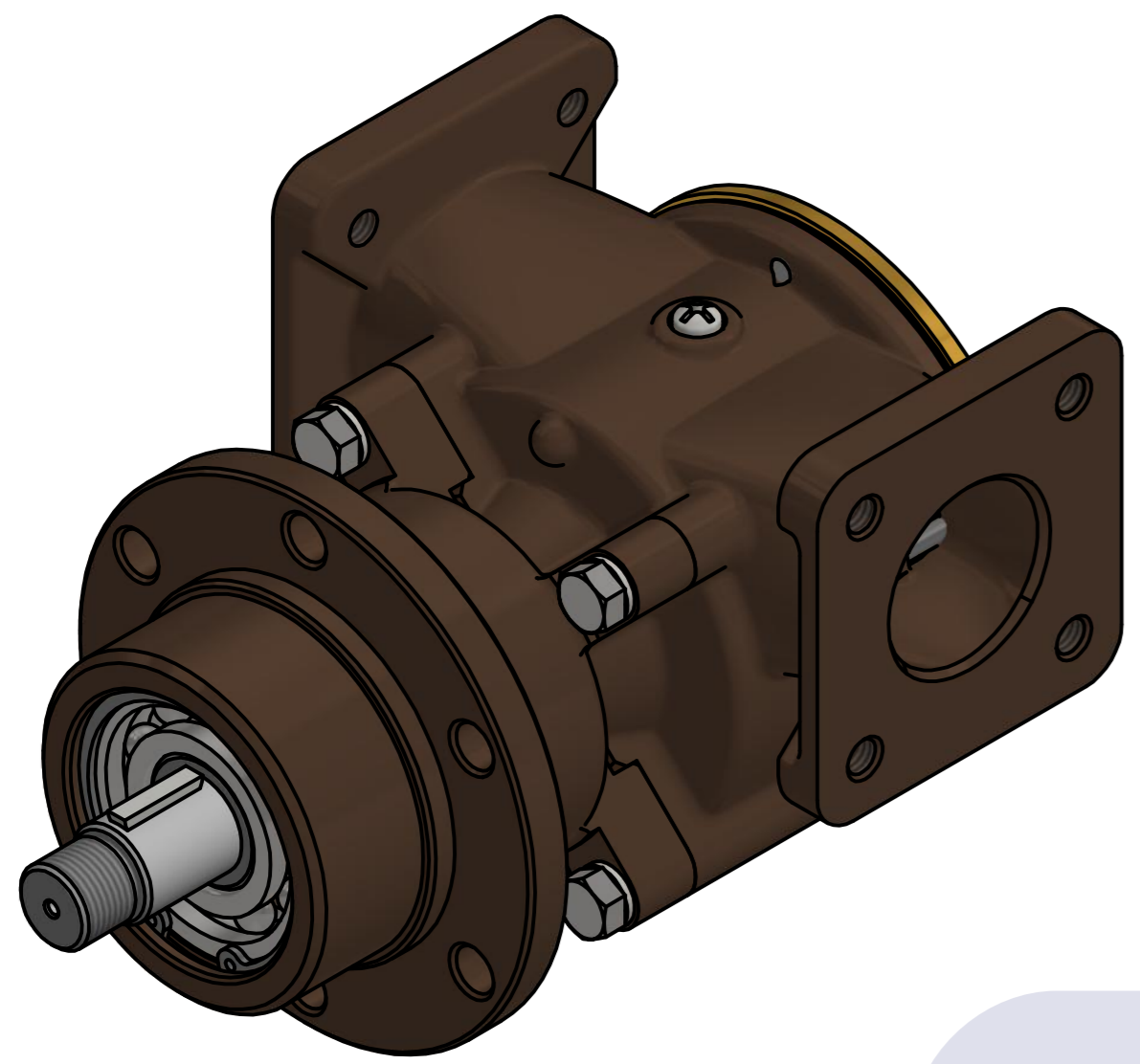


PART LIST					
No.	QTY	PART NUMBER	PART NAME	MAT	DESCRIPTION
1	1	PUA0036	PUMP ASSY		JPR-V2000



P.C.D $\varnothing 108$
 6x $\varnothing 10.5$ - THRU

152
 222.8
 70.5
 109.8
 3/8-16 UNC - 1B
 3/4-16 UNF - 1A
 $\varnothing 84.15^{+0}_{-0.05}$
 24.7
 $\varnothing 22.2^{+0.02}_{-0}$
 16 19.3 29
 $\varnothing 41$
 28
 P.C.D $\varnothing 82.5$

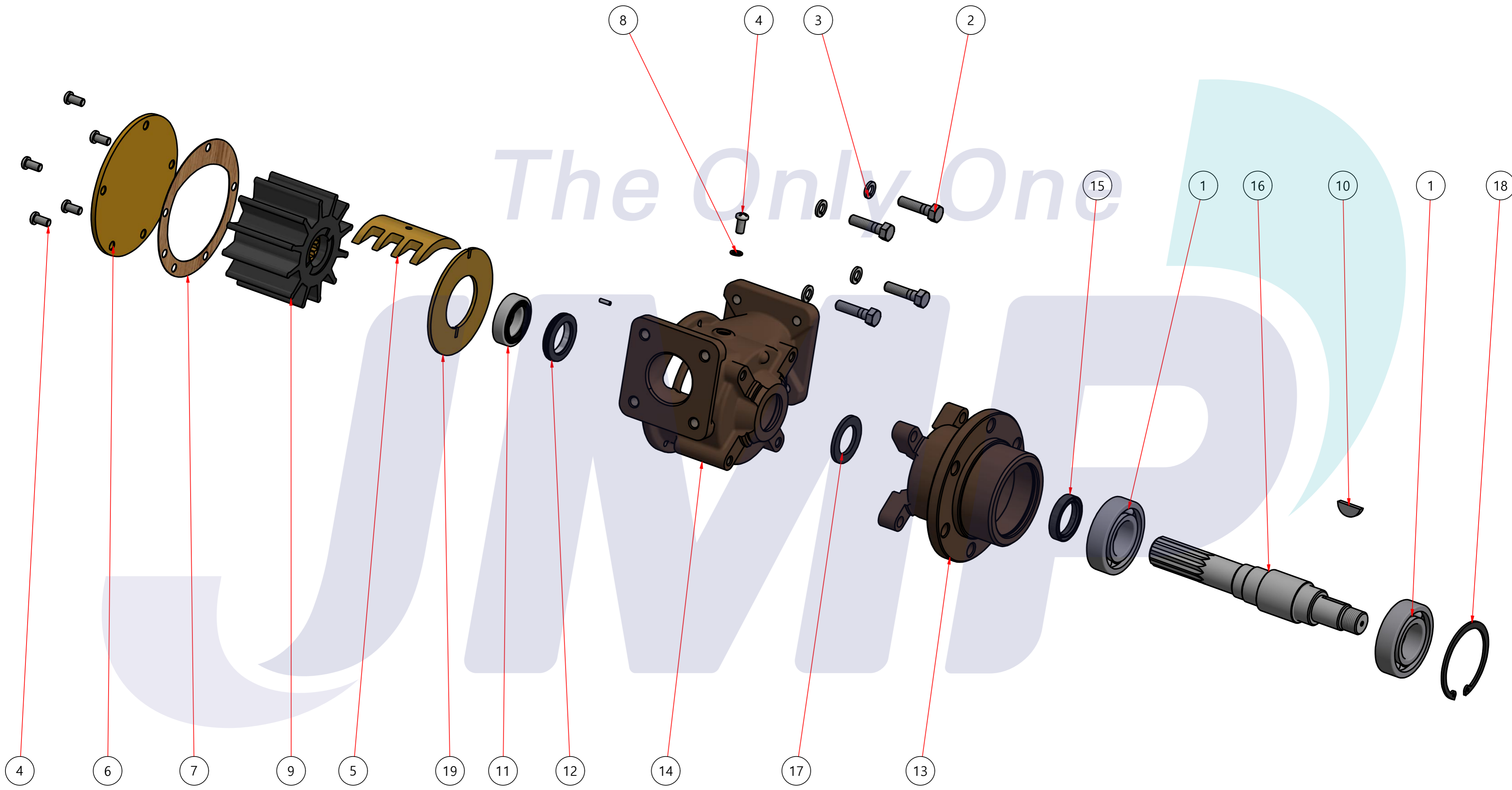
Drawing by	Checked by	Approved by - date	Model Name	Date	Scale
M.J.KANG	C.I. JEON		JPR-V2000	2018-04-17	1 : 1
			PUMP ASSY		
			PART NUMBER	Edition	Sheet
			PUA0036(0)	0	A2


품 번	PUA0036
품 명	JPR-V2000

A: MAJOR KIT B: MINOR KIT C: CAM SET D: M-SEAL SET E: IMPELLER KIT

No.	QTY	PART NUMBER	PART NAME	A (JSK0029)	B (JSM000701)	C (CAMSET000502)	D (MCSSET0003)	E (JIKJMP040)
1	2	BER0005	BEARING	X				
2	4	BOL001601	HEX BOLT					
3	4	BOL0036	SPRING WASHER					
4	6	BOL0099	SCREW	X	X	X (1)		
5	1	CAM000501	CAM	X	X	X		
6	1	COV0006	COVER	X	X			
7	1	GAK0007	GASKET	X	X			X
8	1	GAK0009	FIBER GASKET	X	X	X		
9	1	8100-01	RUBBER IMPELLER	X	X			X
10	1	KEY0012	KEY	X				
11	1	MCS0004	CARBON	X	X		X	
12	1	MCS0009	CERAMIC	X	X		X	
13	1	PBC0043	PUMP CASING / BER					
14	1	PBC0044	PUMP CASING / IMP					
15	1	RET001301	RETAINER	X				
16	1	SHA0027	SHAFT	X				
17	1	SLI0003	SLINGER	X				
18	1	SNP0013	SNAP-RING	X				
19	1	WER0009	WEAR PLATE	X	X			

PART LIST					
No.	QTY	PART NUMBER	PART NAME	MAT	DESCRIPTION
1	1	PUA0036	PUMP ASSY		JPR-V2000



Drawing by	Checked by	Approved by - date	Model Name	Date	Scale
강 명진	Y.D. JEON		JPR-V2000	2013-09-11	1 : 1
			PUMP PART'S VIEW		
			PART NUMBER	Edition	Sheet
			PUA0036(0)	0	A2