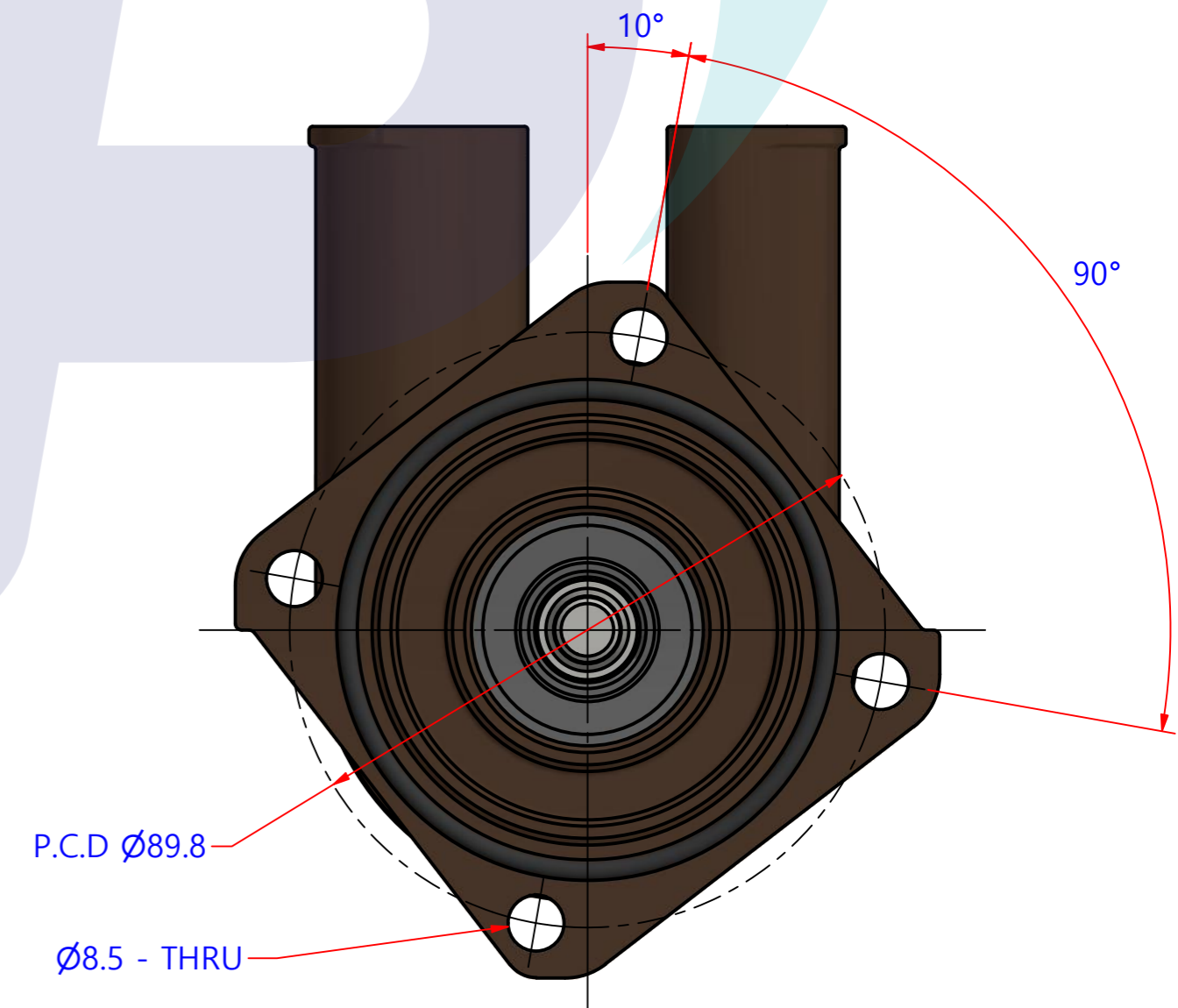
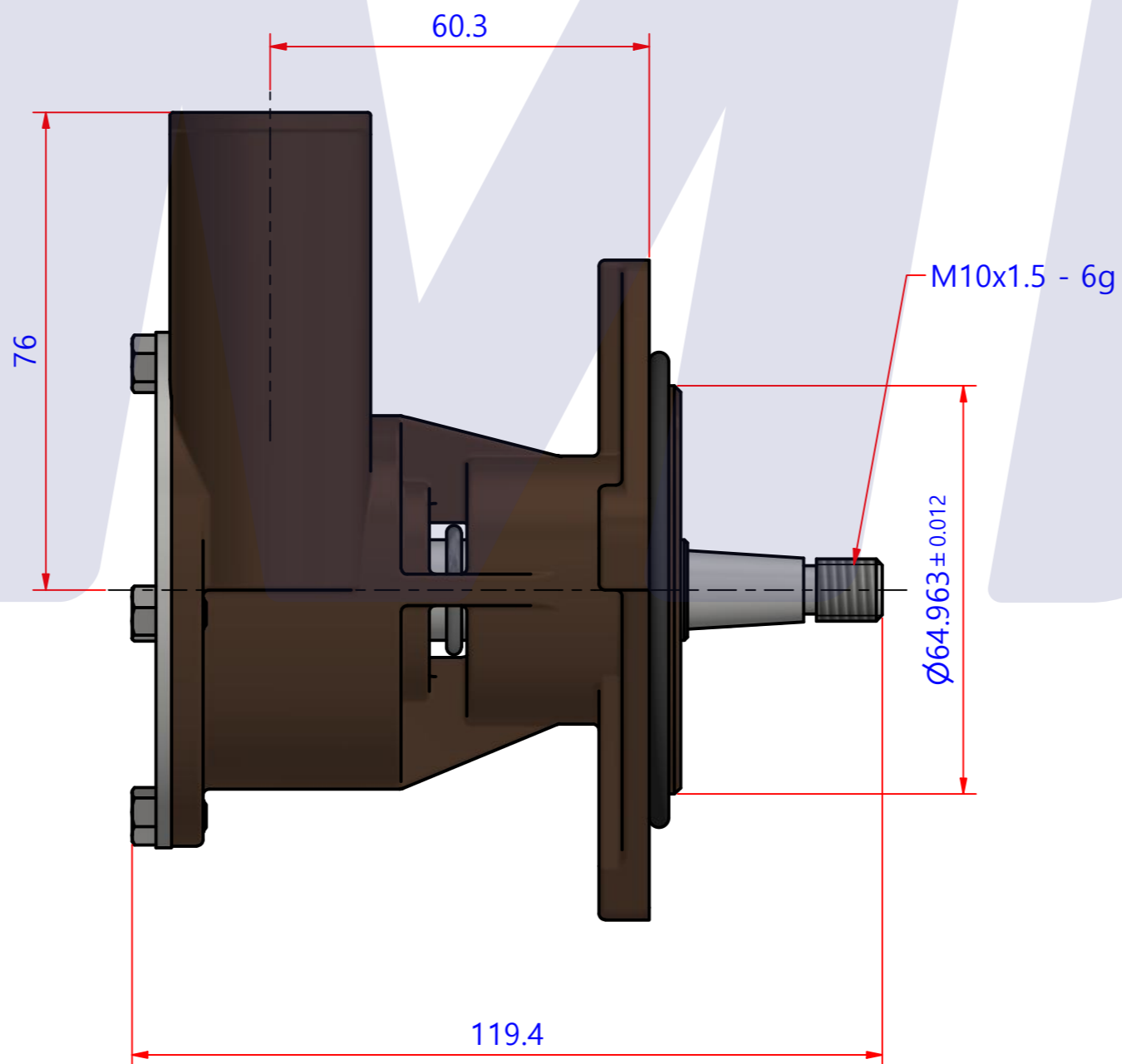
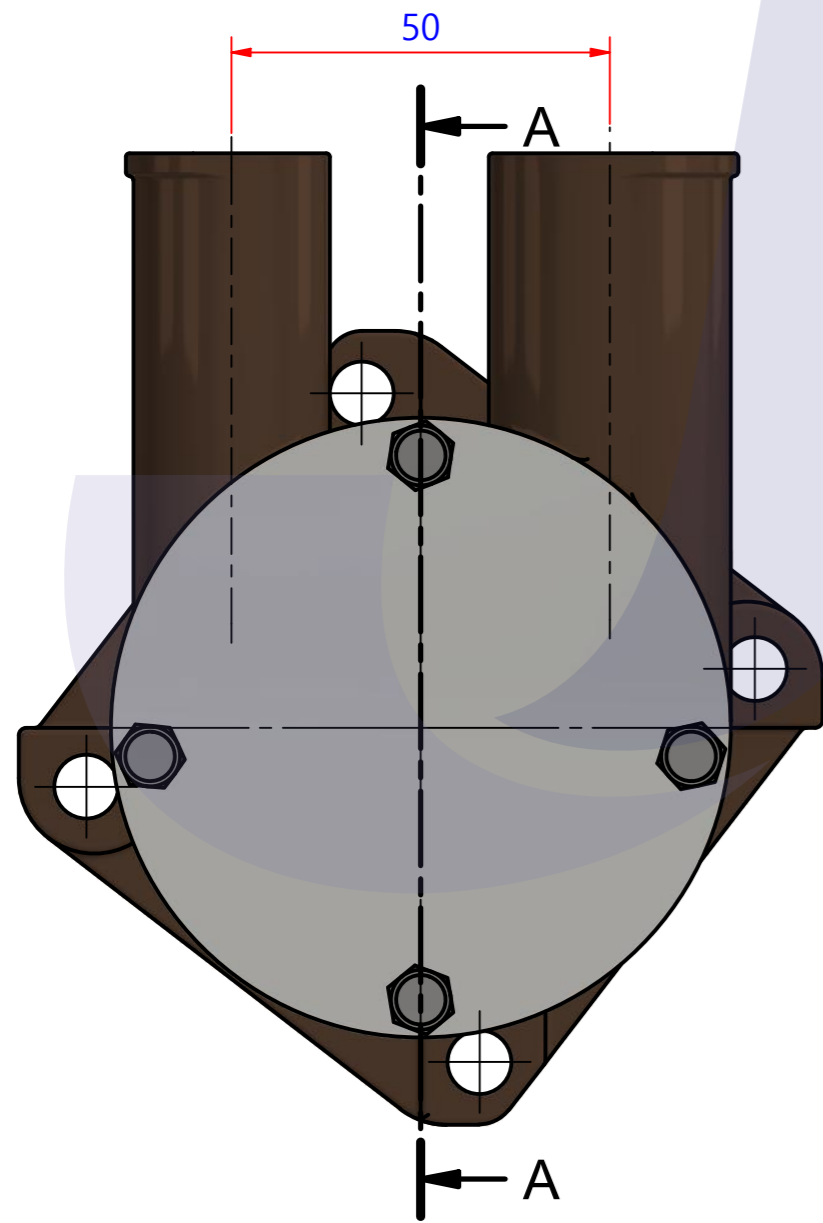
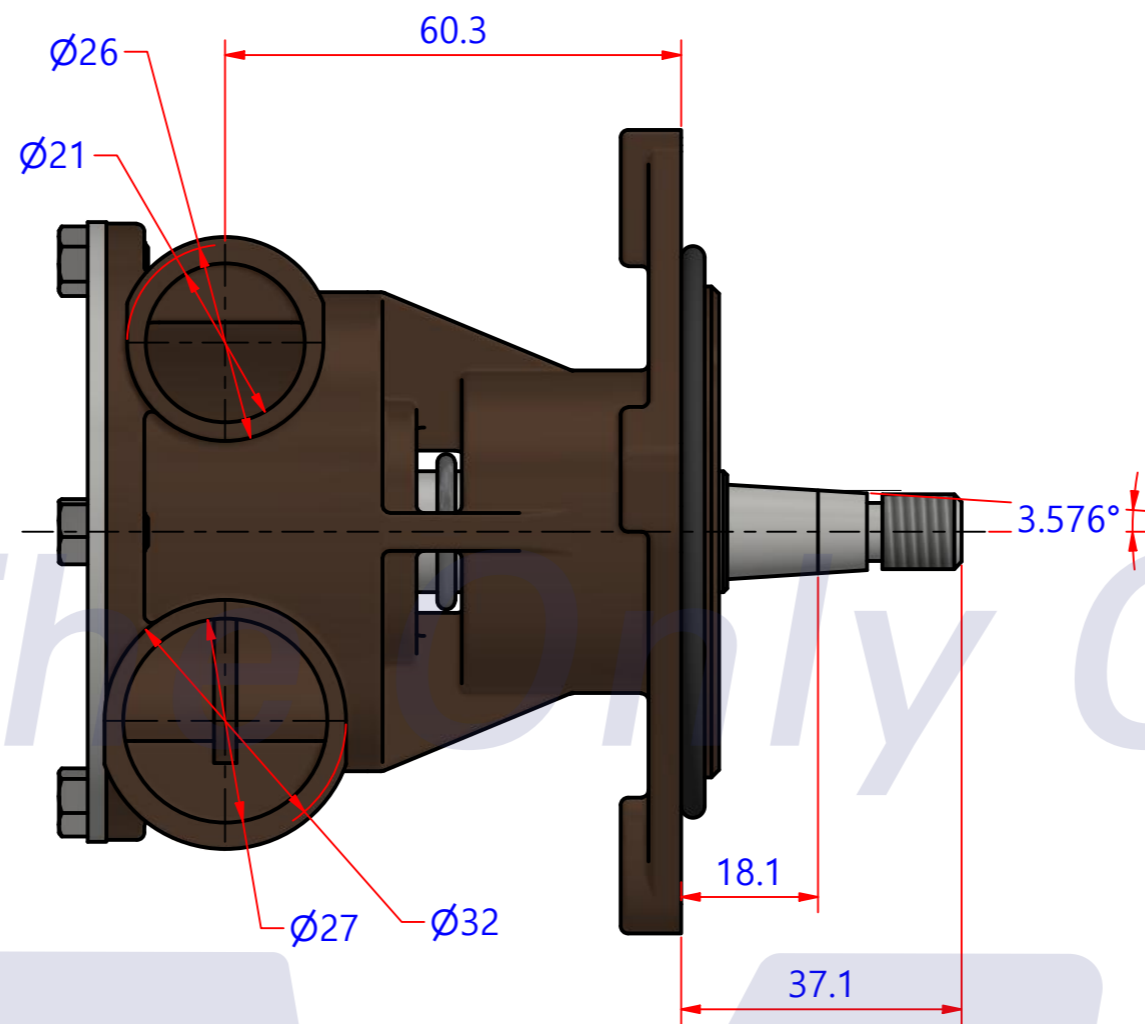
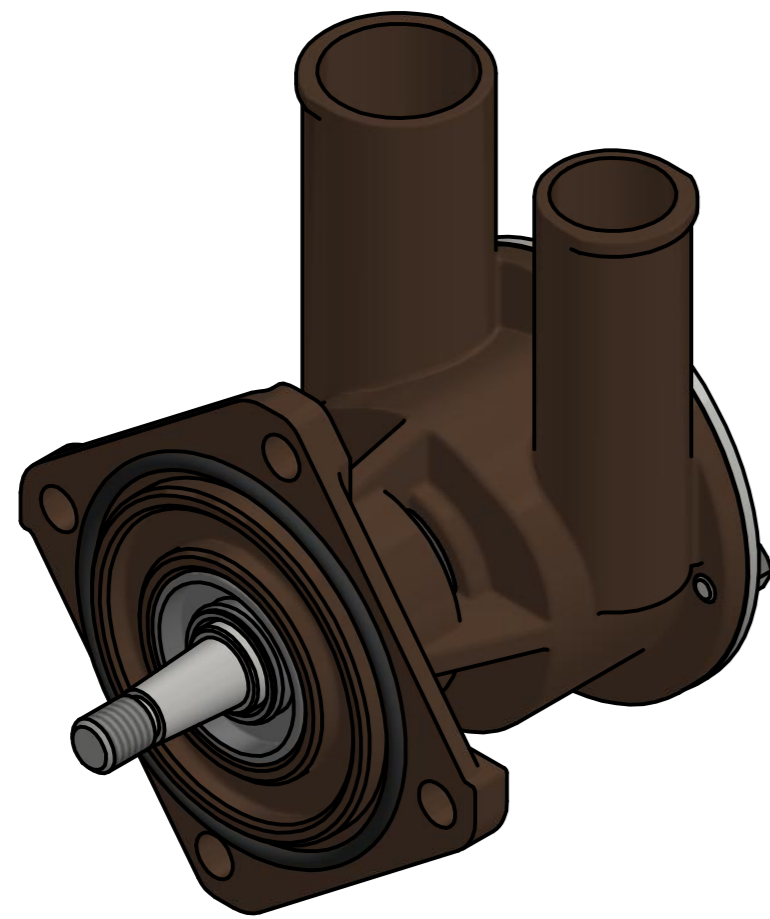


PART LIST					
No.	QTY	PART NUMBER	PART NAME	MAT	DESCRIPTION
1	1	PUA0116	PUMP ASSY		JPR-VP0020D



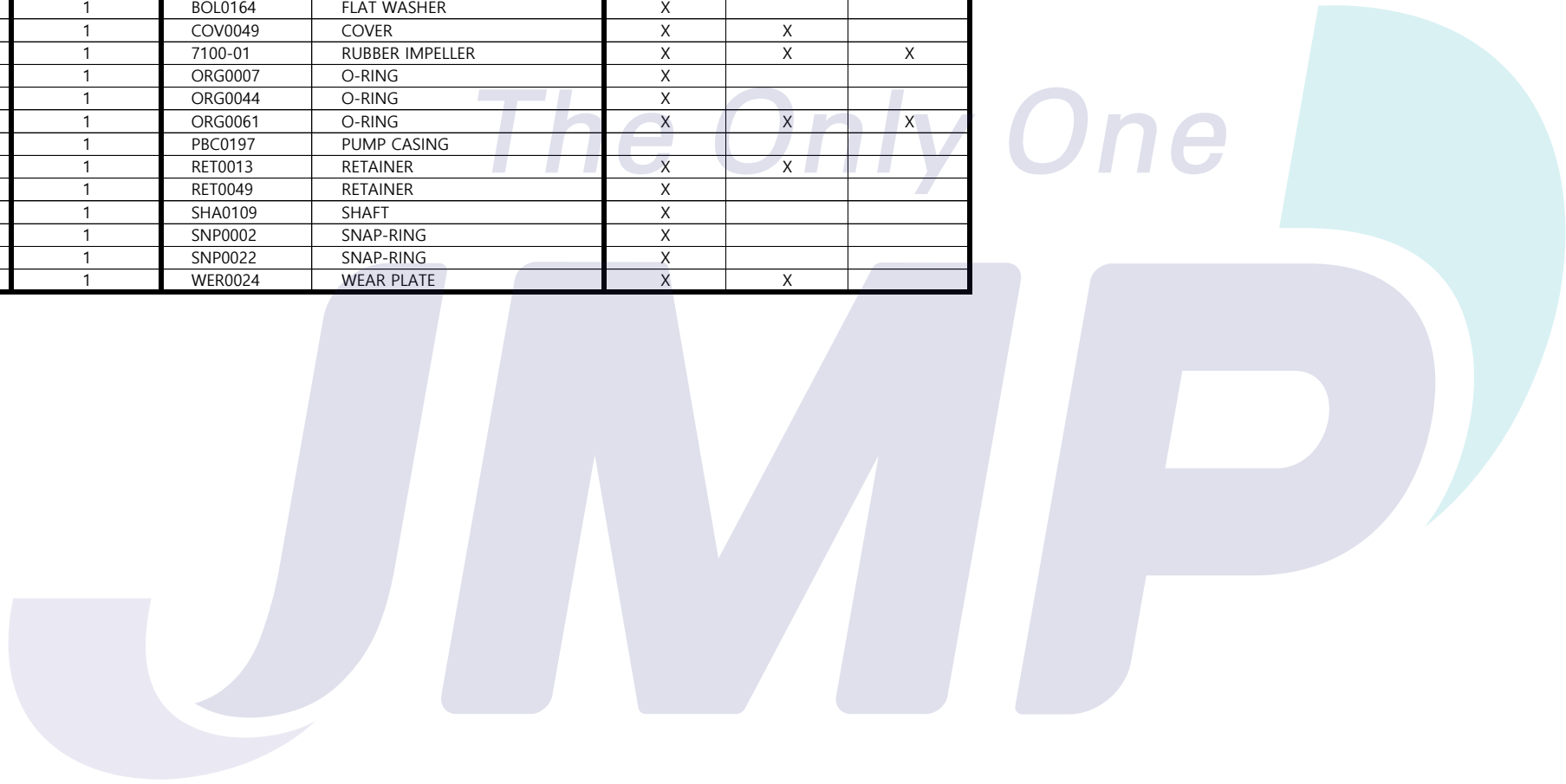
Drawing by	Checked by	Approved by - date	Model Name	Date	Scale
강 명진	Y.D. JEON		JPR-VP0020D	2015-02-23	1 : 1
			PUMP ASS"Y		
			PART NUMBER	PUA0116(0)	Sheet A2
			Edition	0	

품 번	PUA0116
품 명	JPR-VP0020D

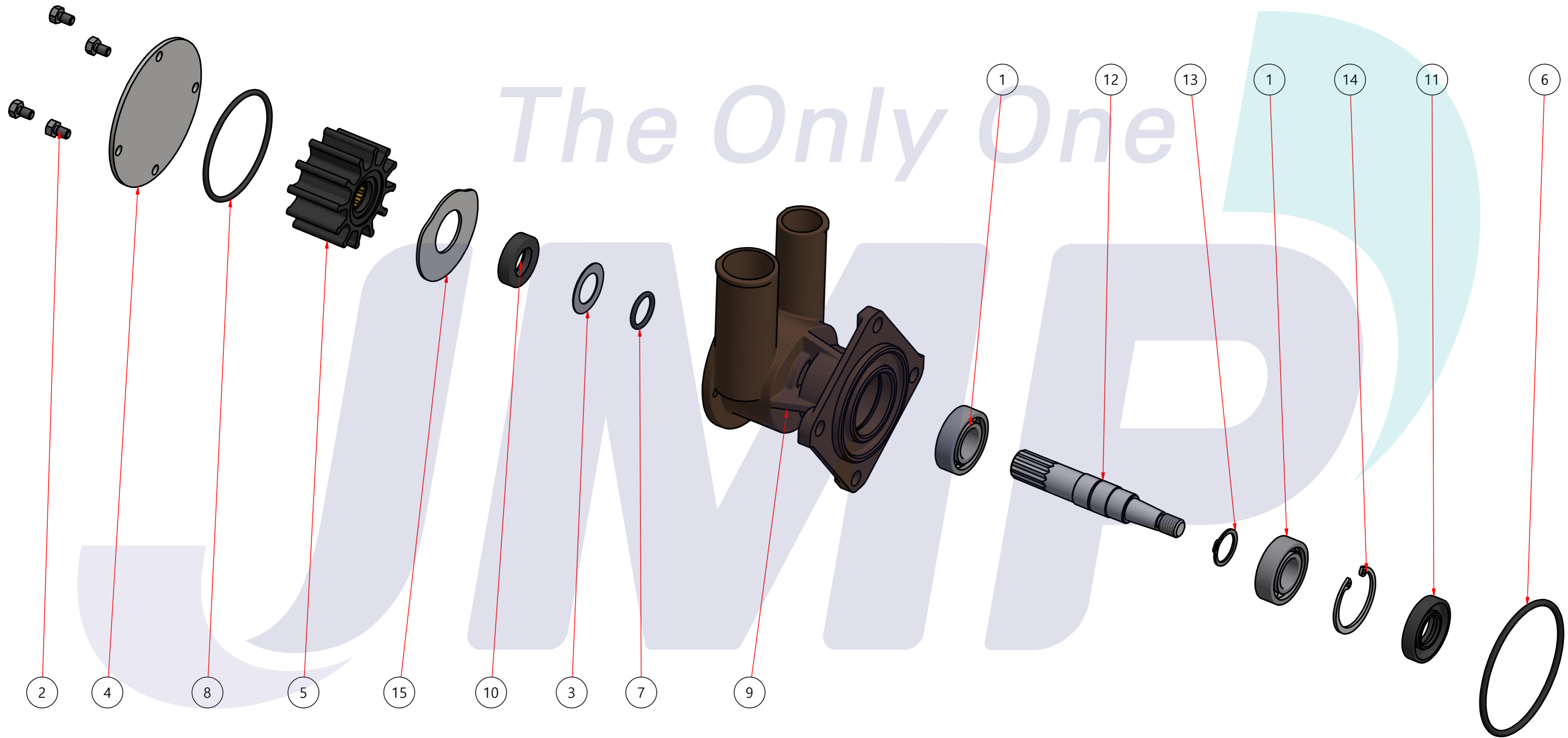
A: MAJOR KIT B: MINOR KIT C: IMPELLER KIT


No.	QTY	PART NUMBER	PART NAME	A (JSK0093)	B (JSM0074)	C (JIKJMP013)
1	2	BER0046	BEARING	X		
2	4	BOL0163	HEX BOLT	X	X	
3	1	BOL0164	FLAT WASHER	X		
4	1	COV0049	COVER	X	X	
5	1	7100-01	RUBBER IMPELLER	X	X	X
6	1	ORG0007	O-RING	X		
7	1	ORG0044	O-RING	X		
8	1	ORG0061	O-RING	X	X	X
9	1	PBC0197	PUMP CASING	X		
10	1	RET0013	RETAINER	X	X	
11	1	RET0049	RETAINER	X		
12	1	SHA0109	SHAFT	X		
13	1	SNP0002	SNAP-RING	X		
14	1	SNP0022	SNAP-RING	X		
15	1	WER0024	WEAR PLATE	X	X	

The Only One



PART LIST					
No.	QTY	PART NUMBER	PART NAME	MAT	DESCRIPTION
1	1	PUA0116	PUMP ASSY		JPR-VP0020D



Drawing by	Checked by	Approved by - date	Model Name	Date	Scale
강 명진	Y.D. JEON		JPR-VP0020D	2015-04-07	1 : 1
			PUMP PART'S VIEW		
			PART NUMBER	Edition	Sheet
			PUA0116(0)	0	A2