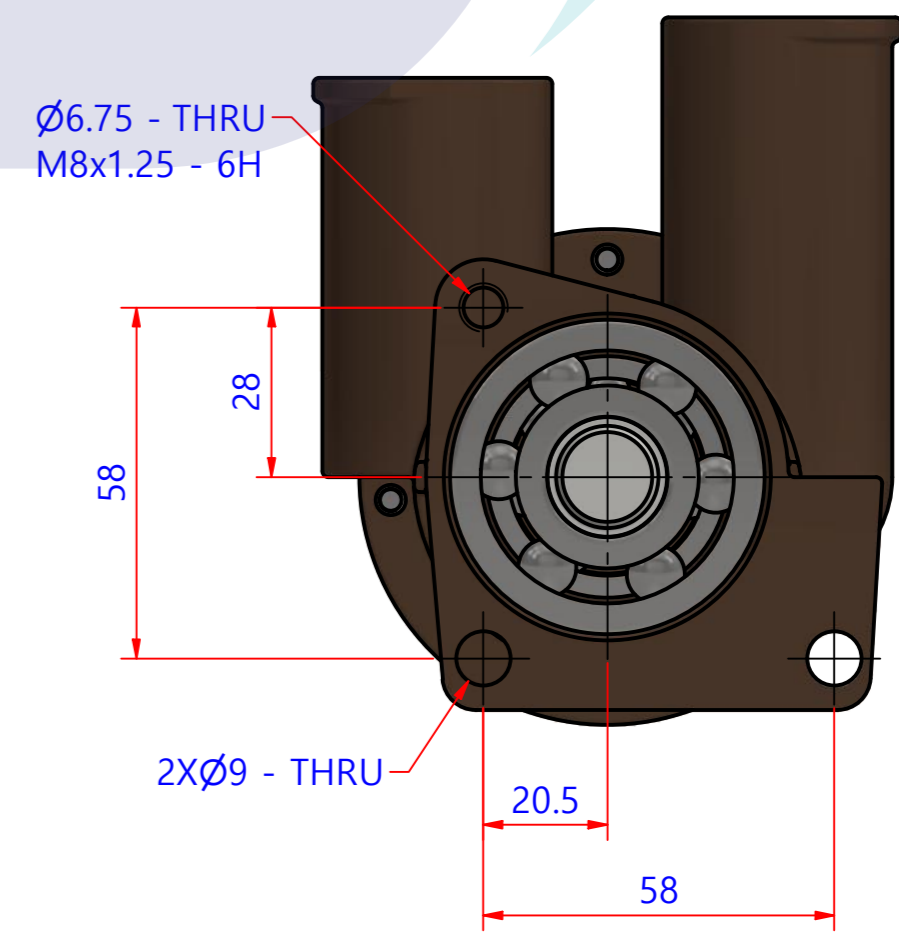
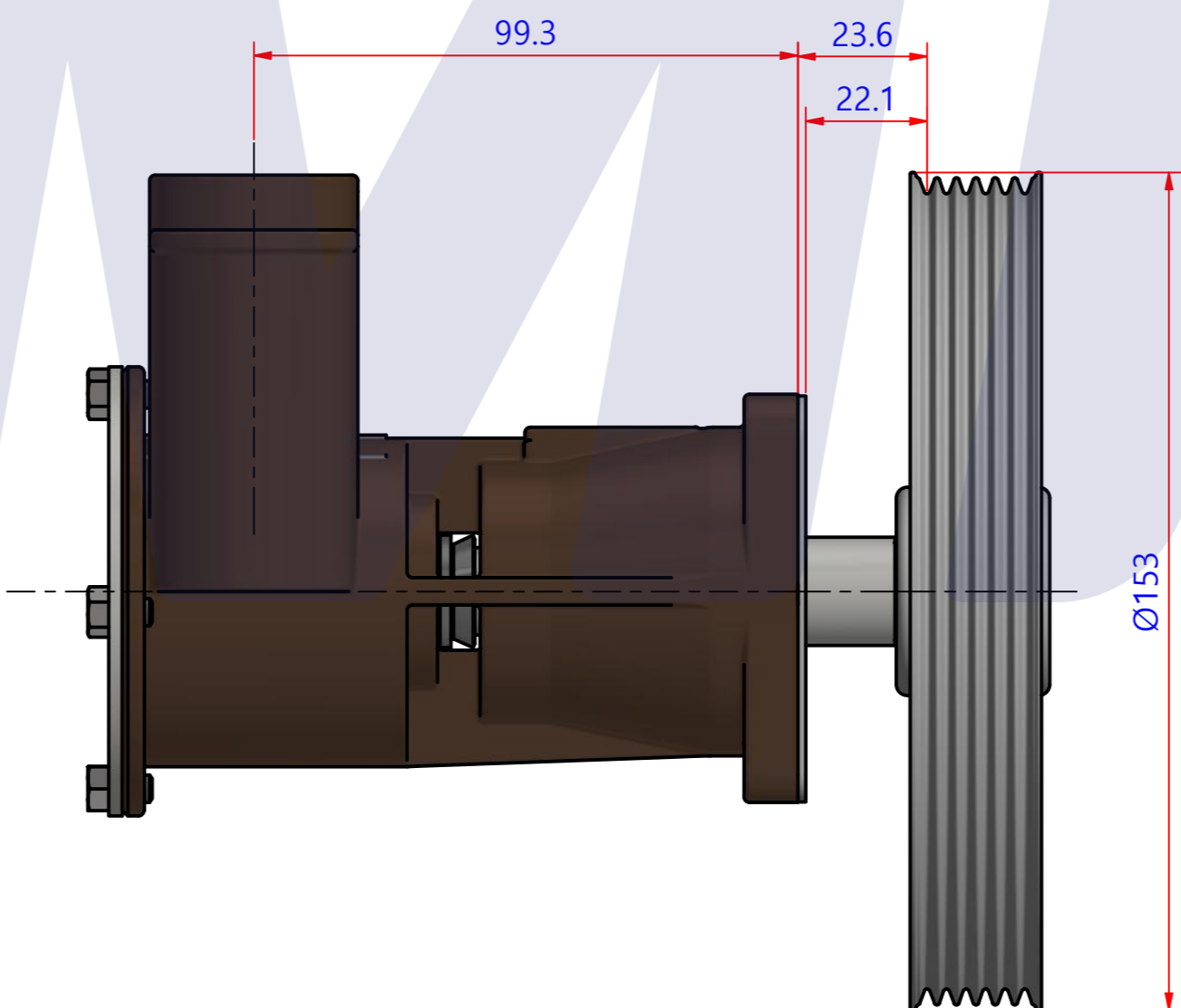
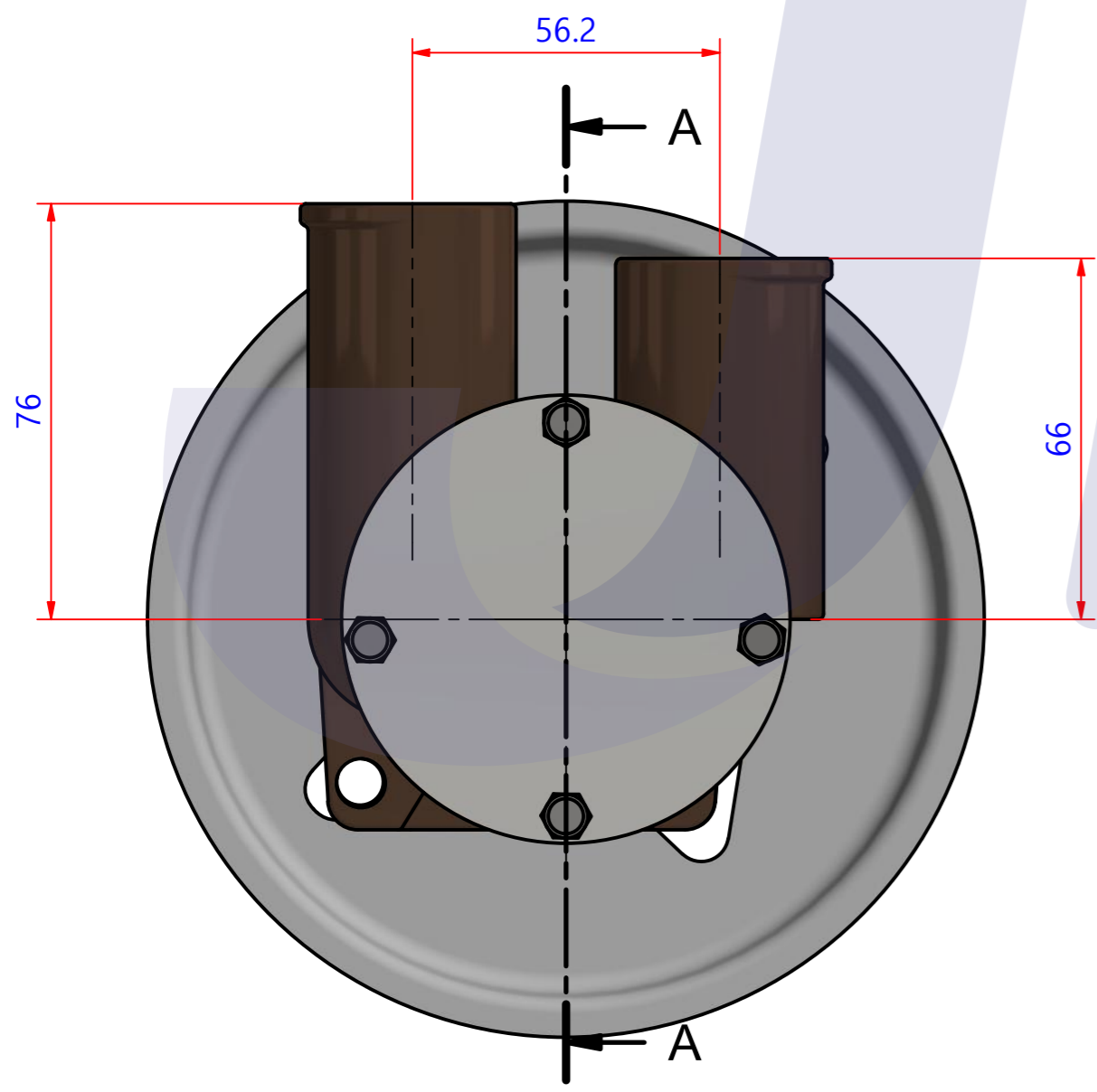
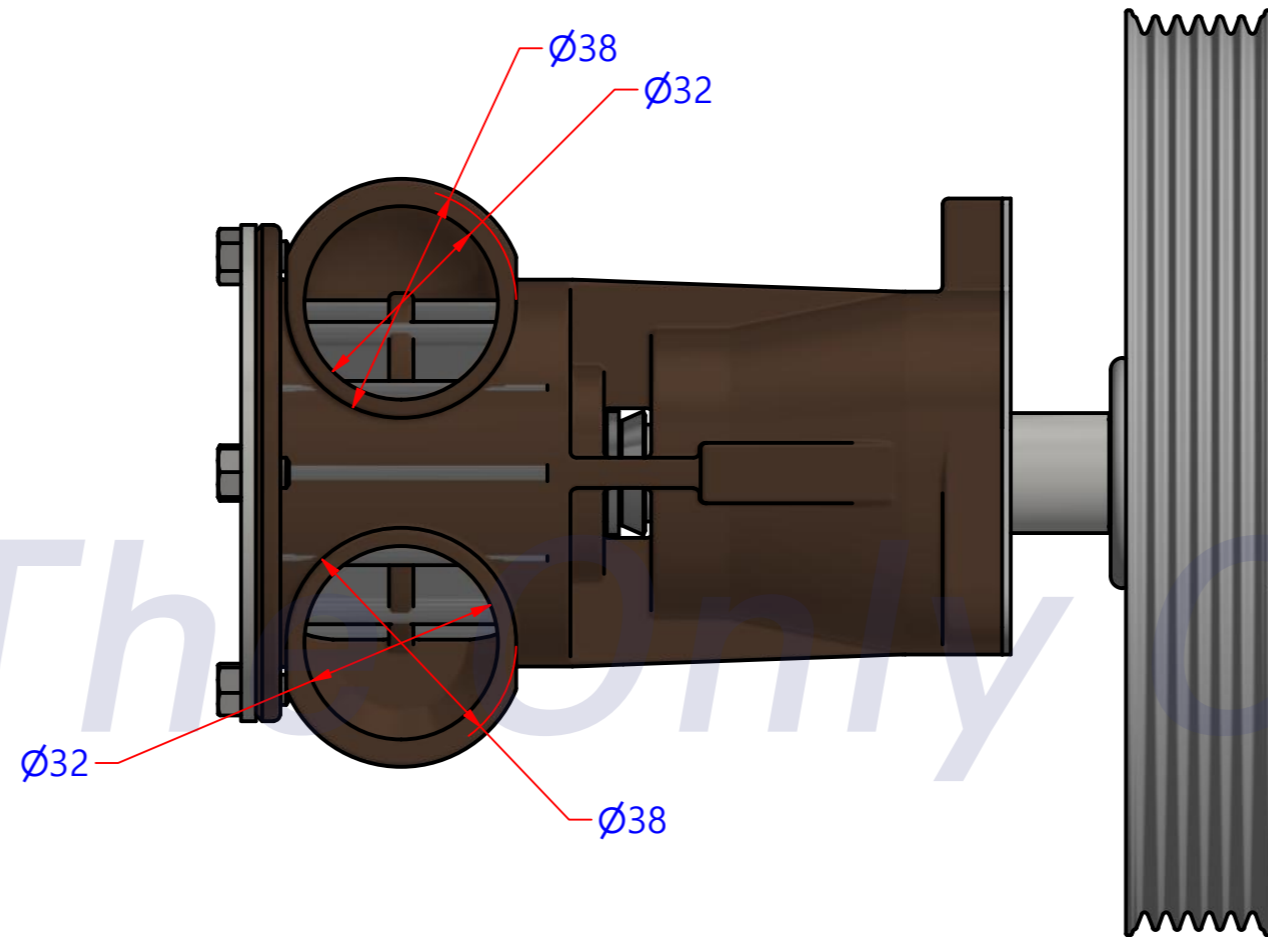
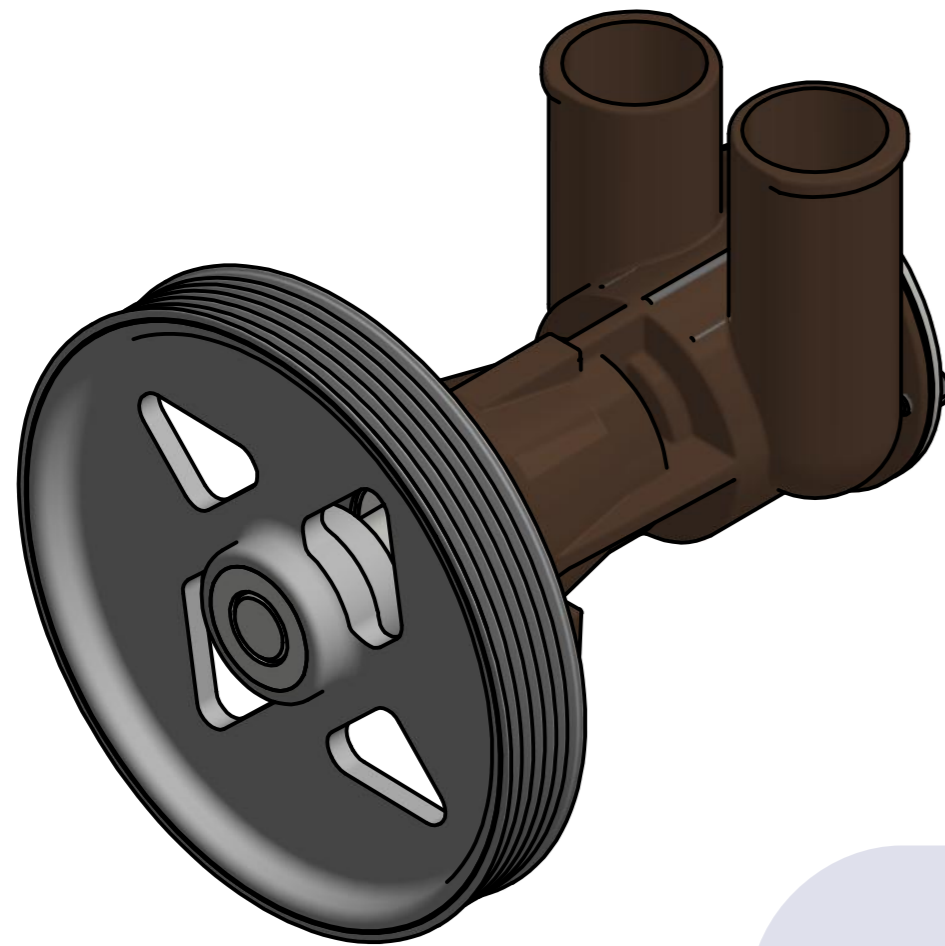


PART LIST					
No.	QTY	PART NUMBER	PART NAME	MAT	DESCRIPTION
1	1	PUA0119	PUMP ASSY		JPR-VP0030DA



Drawing by	Checked by	Approved by - date	Model Name	Date	Scale
강 명진	Y.D. JEON		JPR-VP0030D	2015-03-13	1:1
			<b>PUMP ASSY</b>		
			PART NUMBER	Edition	Sheet
			PUA0119(0)	0	A2

품번	PUA0119
품명	JPR-VP0030DA

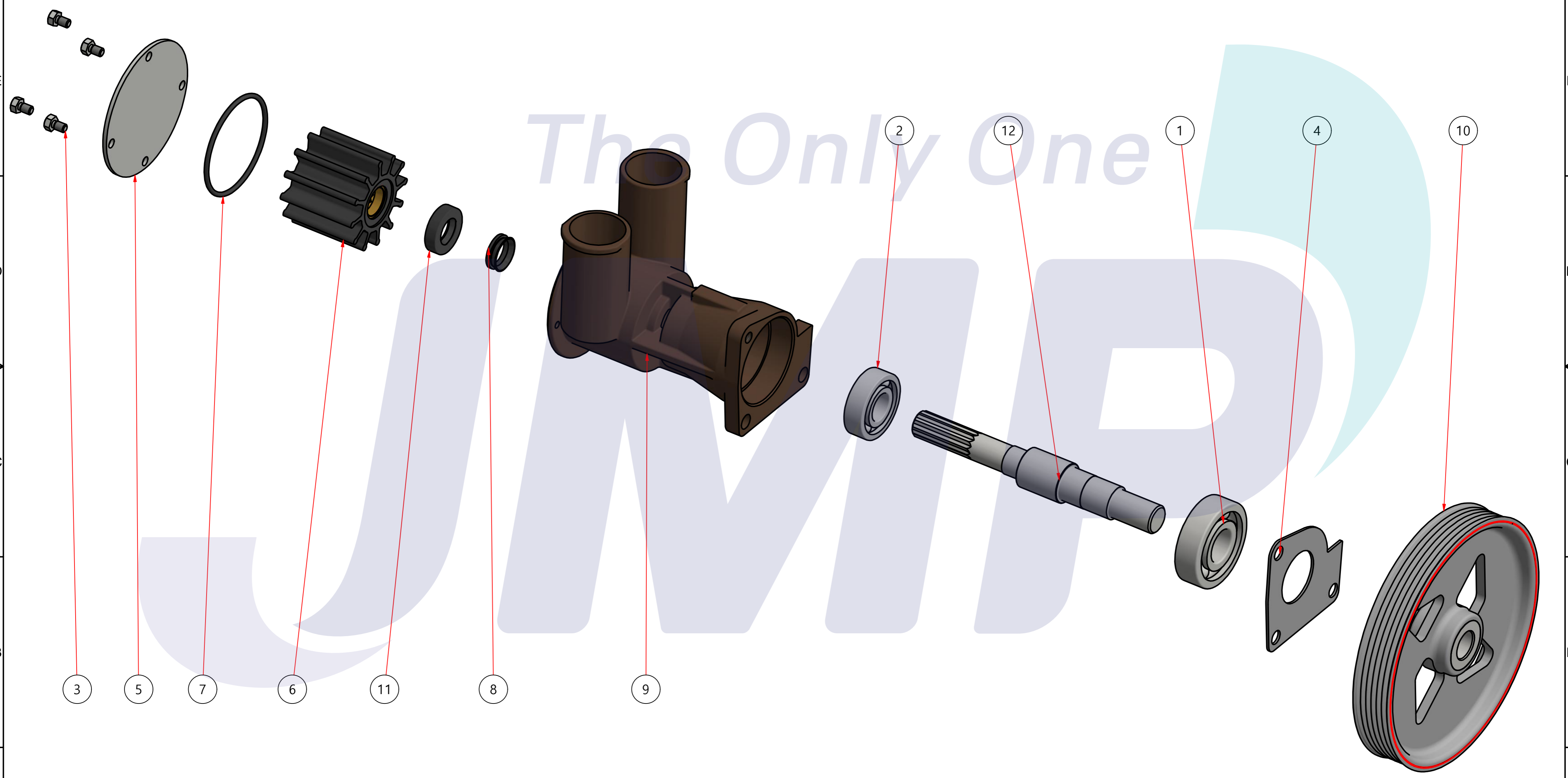
A: MAJOR KIT B: MINOR KIT C: IMPELLER KIT

No.	QTY	PART NUMBER	PART NAME	A (JSK0094)	B (JSM0075)	C (JIKJMP016)
1	1	BER0039	BEARING	X		
2	1	BER0045	BEARING	X		
3	4	BOL0163	HEX BOLT	X	X	
4	1	BRK0006	BRACKET	X		
5	1	COV0049	COVER	X	X	
6	1	7136-01	RUBBER IMPELLER	X	X	X
7	1	ORG0061	O-RING	X	X	X
8	1	ORG0062	V-RING	X		
9	1	PBC0199	PUMP CASING			
10	1	PUL0031	PULLEY			
11	1	RET0013	RETAINER	X	X	
12	1	SHA0112	SHAFT	X		

The Only One

# JMP

PART LIST					
No.	QTY	PART NUMBER	PART NAME	MAT	DESCRIPTION
1	1	PUA0119	PUMP ASSY		JPR-VP0030DA



The Only One

Drawing by	Checked by	Approved by - date	Model Name	Date	Scale
강 명진	Y.D. JEON		JPR-VP0030DA	2015-09-30	1 : 1
			<b>PUMP PART'S VIEW</b>		
			PART NUMBER	Edition	Sheet
			PUA0119(0)	0	A2