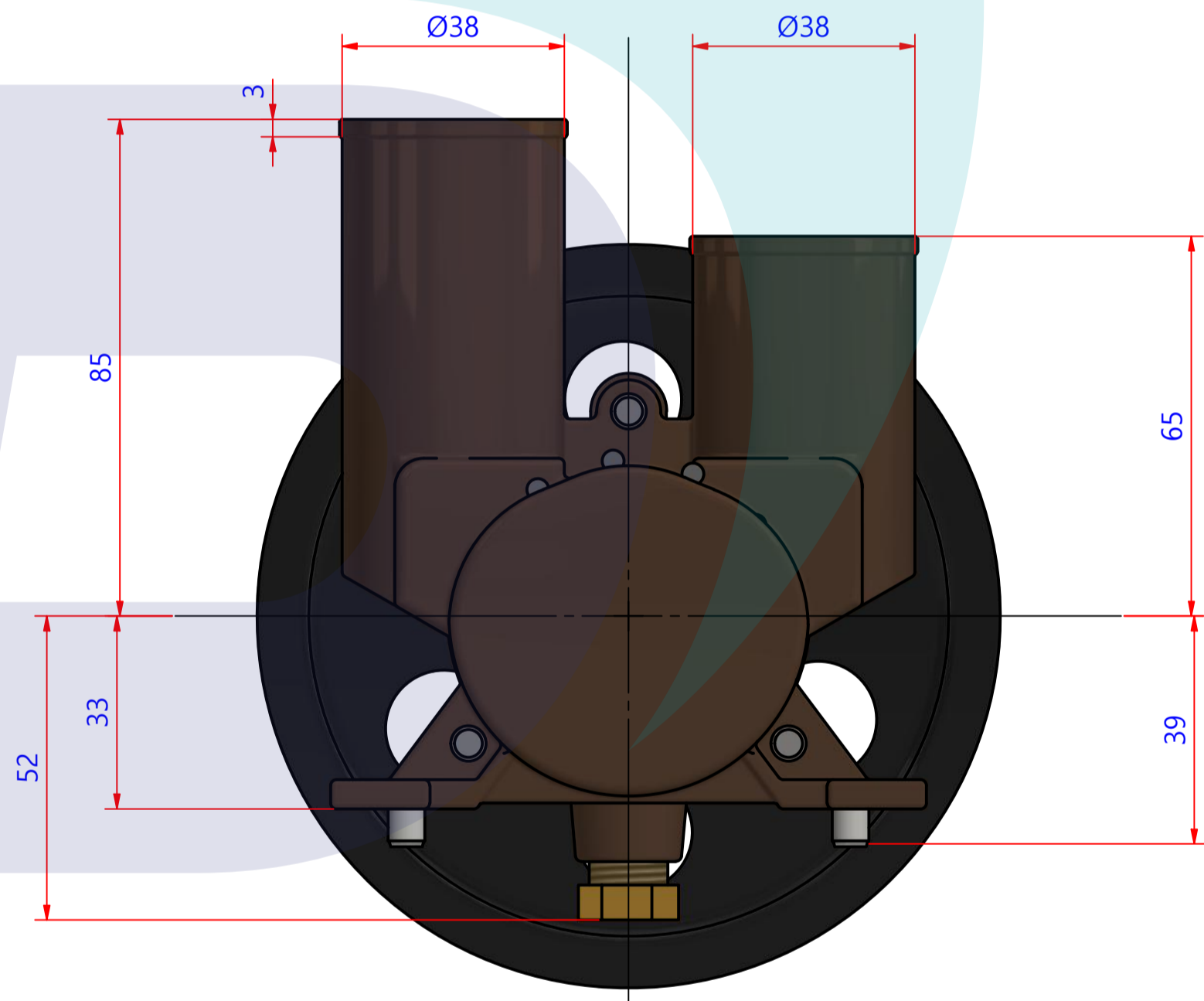
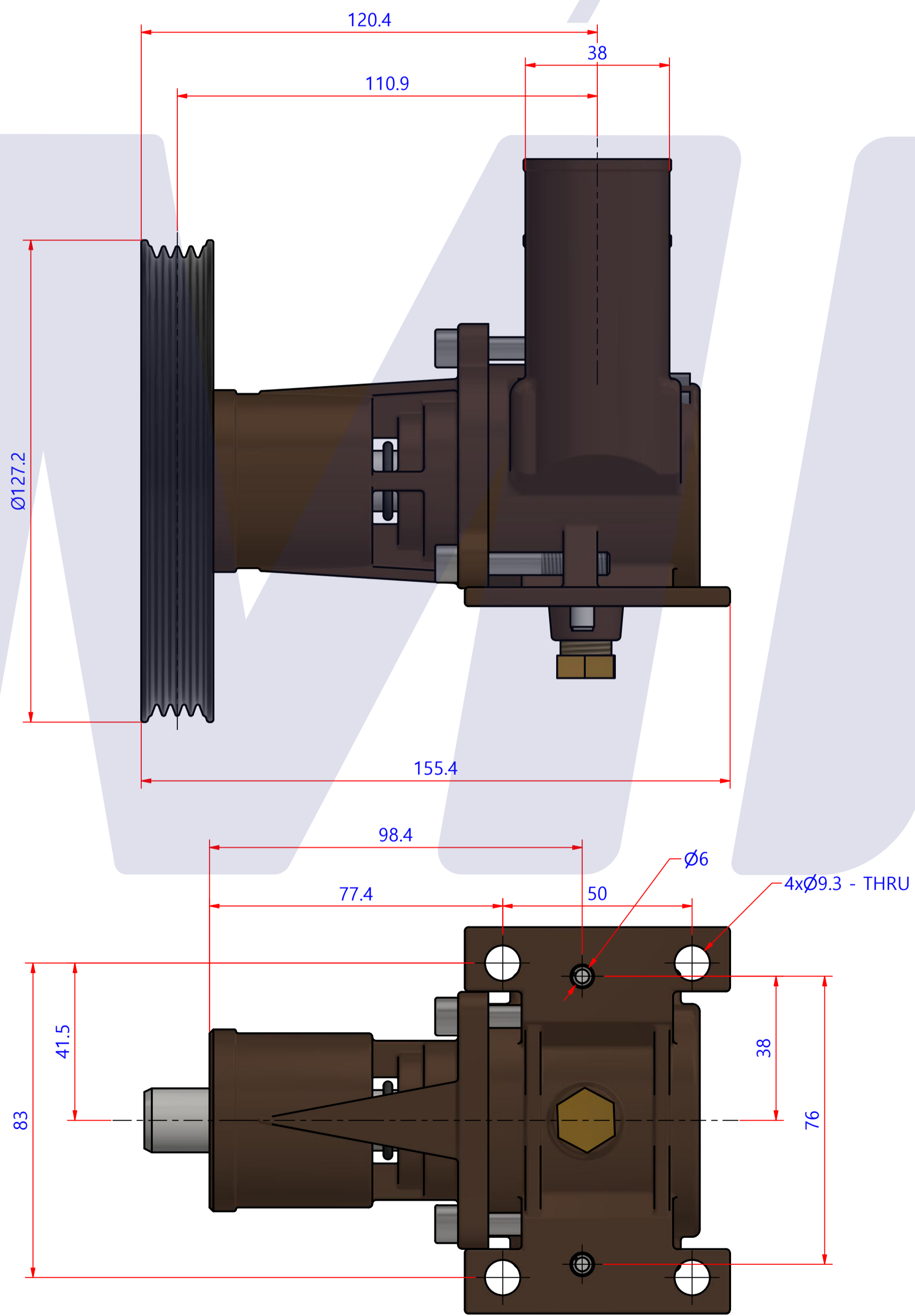
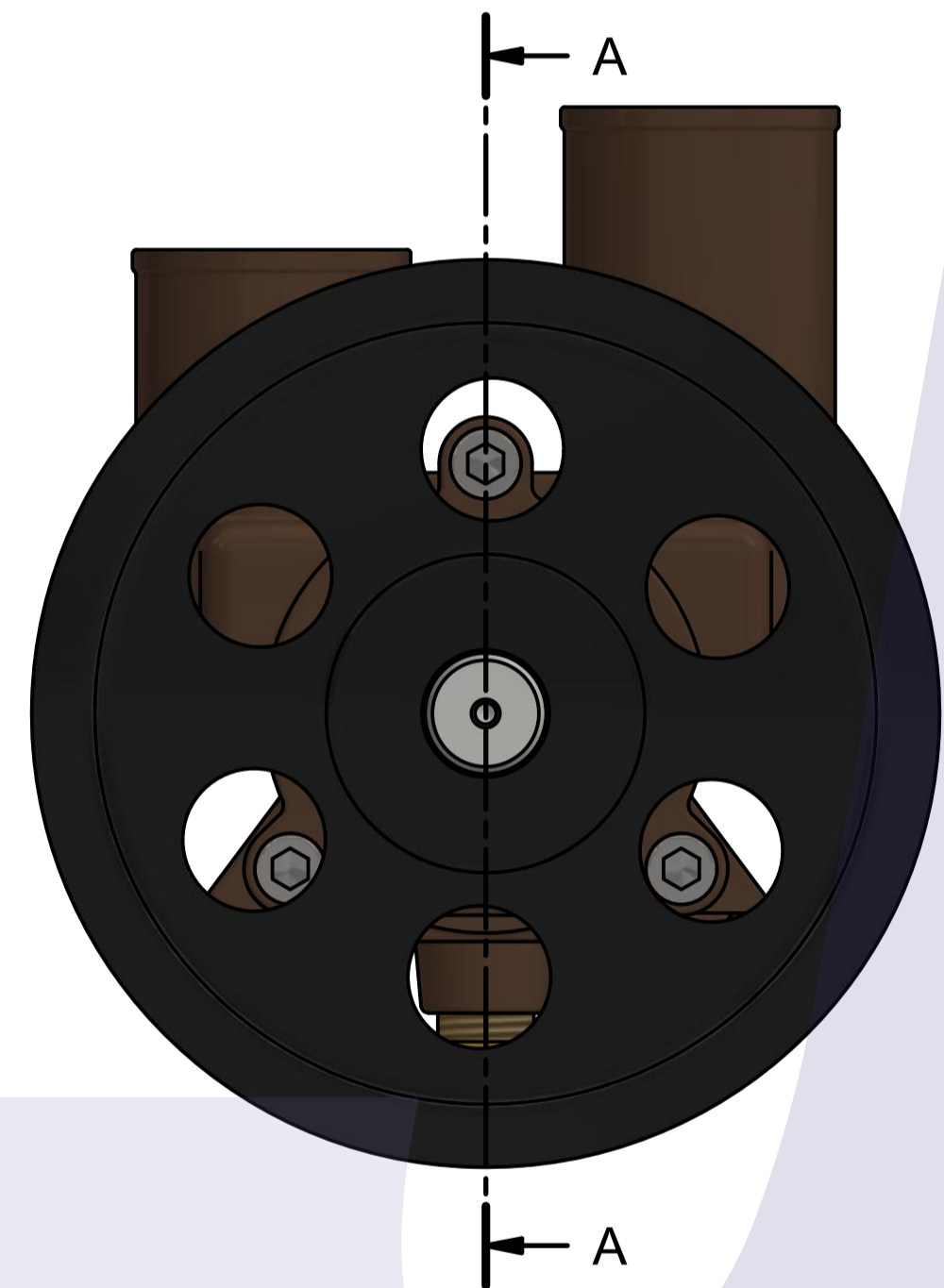
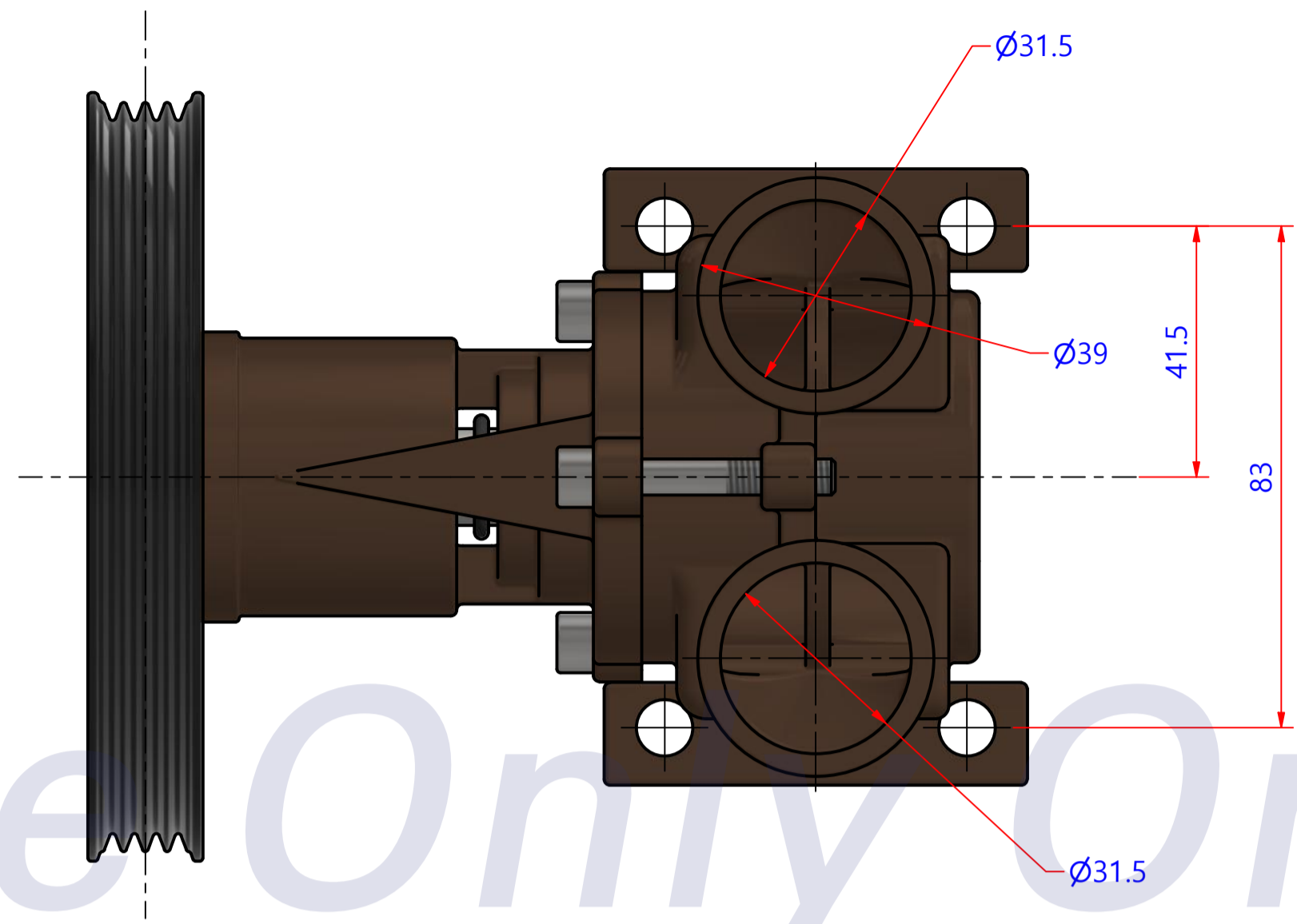
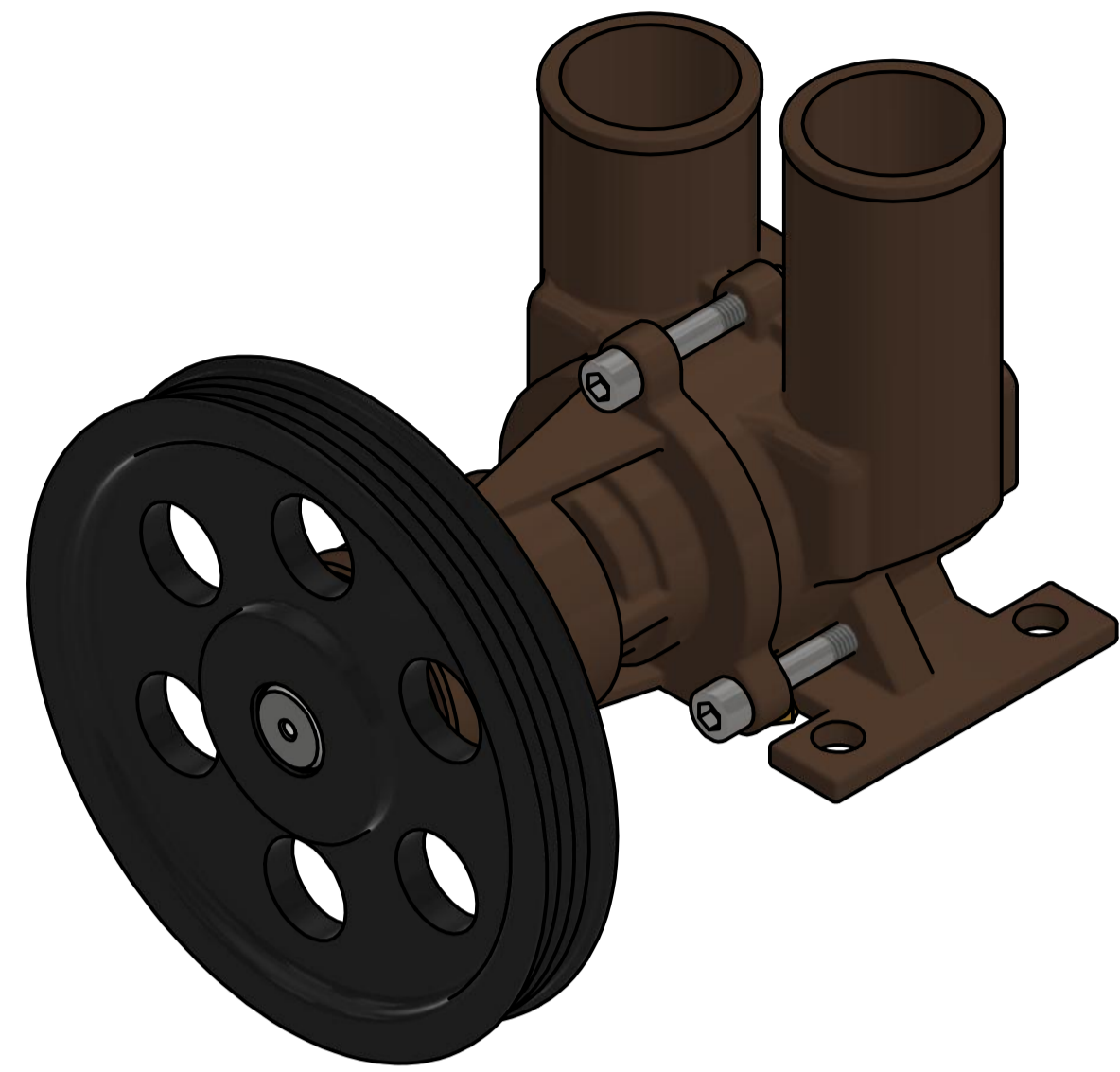


PART LIST					
No.	QTY	PART NUMBER	PART NAME	MAT	DESCRIPTION
1	1	PUA0126	PUMP ASSY		JPR-VP0030DB

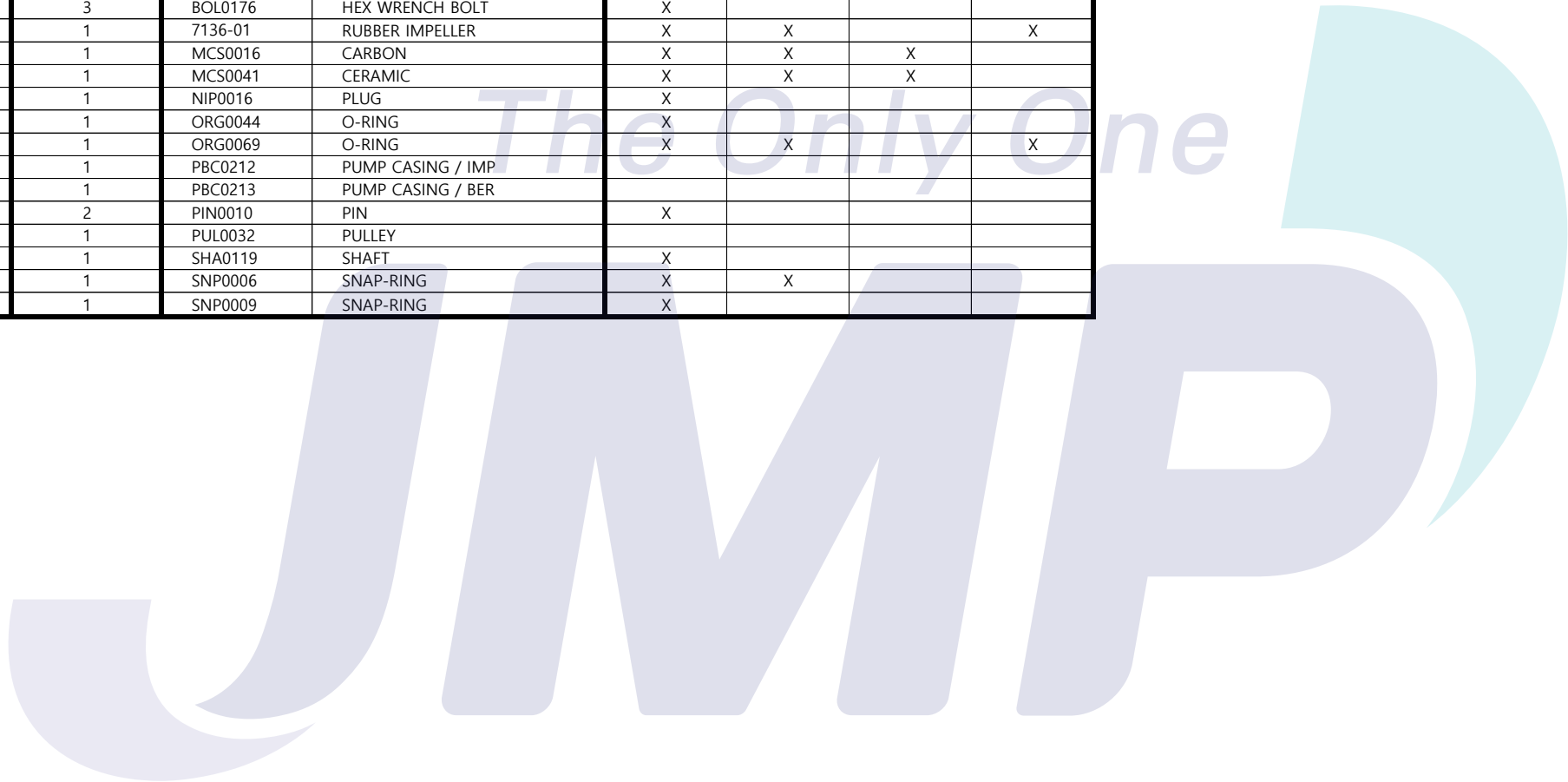


Drawing by	Checked by	Approved by - date	Model Name	Date	Scale
강 명진	Y.D. JEON		JPR-VP0030DB	2015-10-19	1 : 1
			PUMP ASS"Y		
PART NUMBER		Edition	Sheet		
PUA0126(0)		0	A1		

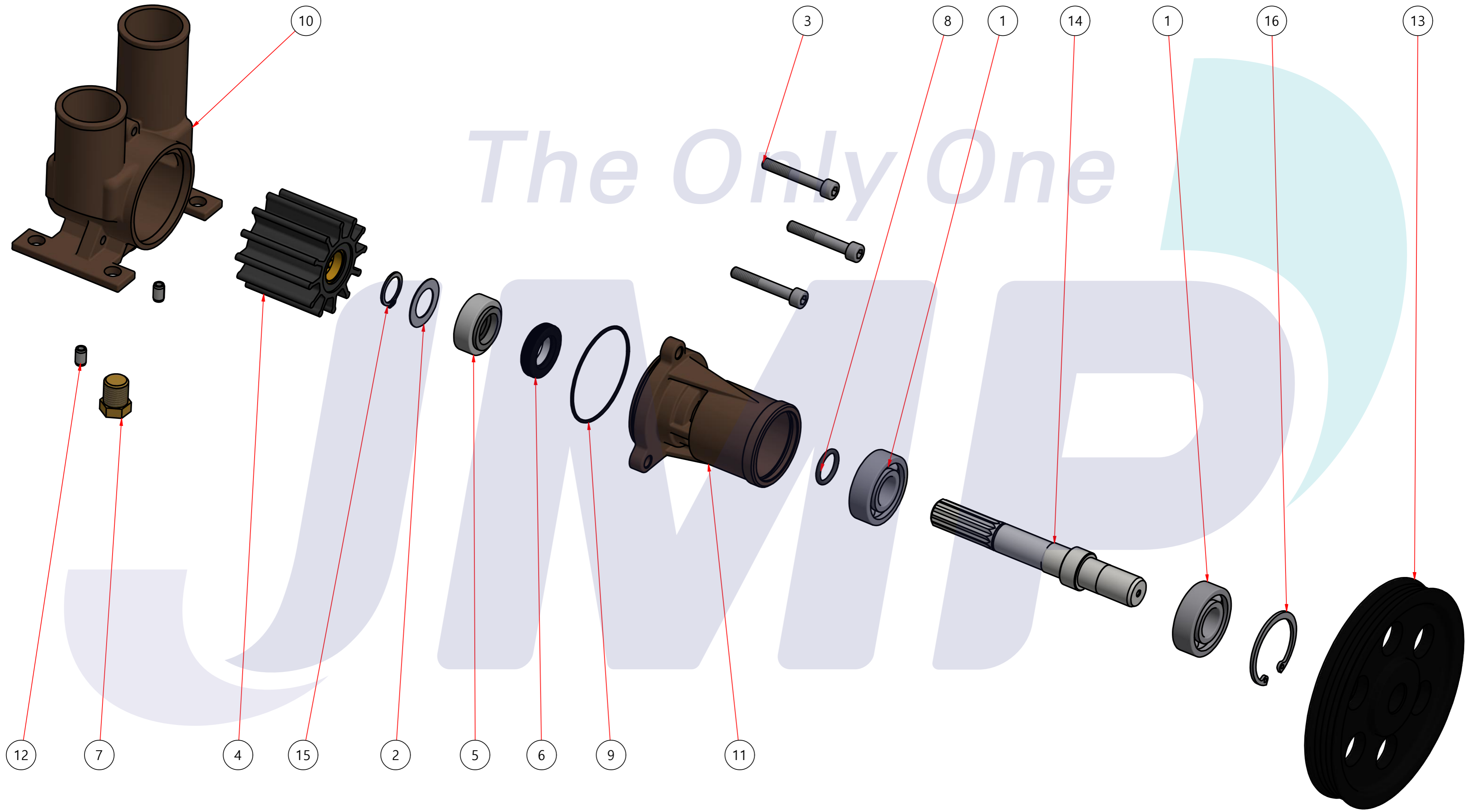
품번	PUA0126
품명	JPR-VP0030DB

A: MAJOR KIT B: MINOR KIT C: M-SEAL SET D: IMPELLER KIT

No.	QTY	PART NUMBER	PART NAME	A (JSK0100)	B (JSM0081)	C (MCSSET0016)	D (JIKJMP016)
1	2	BER0045	BEARING	X			
2	1	BOL0164	FLAT WASHER	X	X		
3	3	BOL0176	HEX WRENCH BOLT	X			
4	1	7136-01	RUBBER IMPELLER	X	X		X
5	1	MCS0016	CARBON	X	X	X	
6	1	MCS0041	CERAMIC	X	X	X	
7	1	NIP0016	PLUG	X			
8	1	ORG0044	O-RING	X			
9	1	ORG0069	O-RING	X	X		X
10	1	PBC0212	PUMP CASING / IMP				
11	1	PBC0213	PUMP CASING / BER				
12	2	PIN0010	PIN	X			
13	1	PUL0032	PULLEY				
14	1	SHA0119	SHAFT	X			
15	1	SNP0006	SNAP-RING	X	X		
16	1	SNP0009	SNAP-RING	X			



PART LIST					
No.	QTY	PART NUMBER	PART NAME	MAT	DESCRIPTION
1	1	PUA0126	PUMP ASSY		JPR-VP0030DB



Drawing by	Checked by	Approved by - date	Model Name	Date	Scale
강 명진	Y.D. JEON		JPR-VP0030DB	2015-11-30	1 : 1
			PUMP PART'S VIEW		
			PART NUMBER	Edition	Sheet
			PUA0126(0)	0	A2