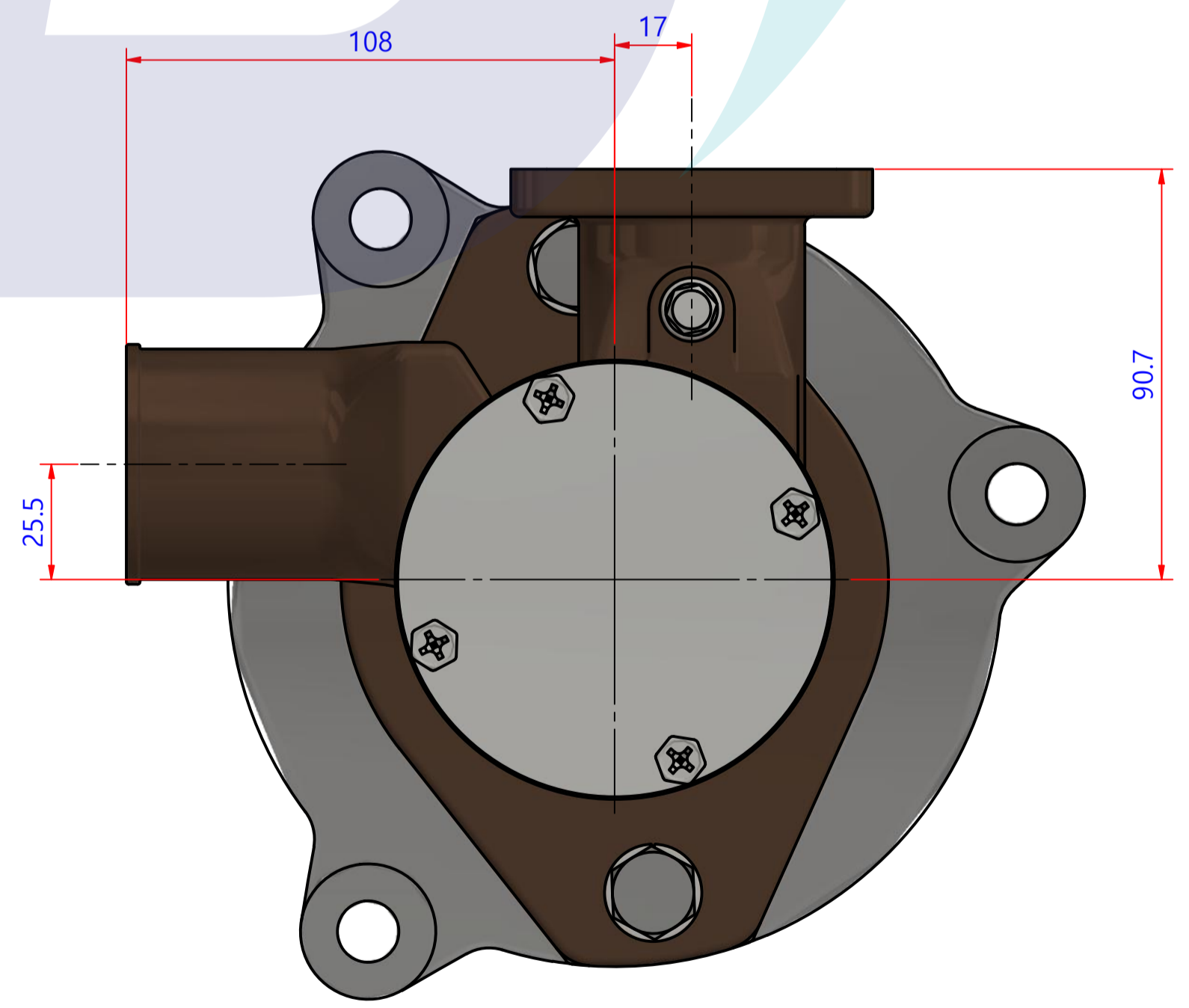
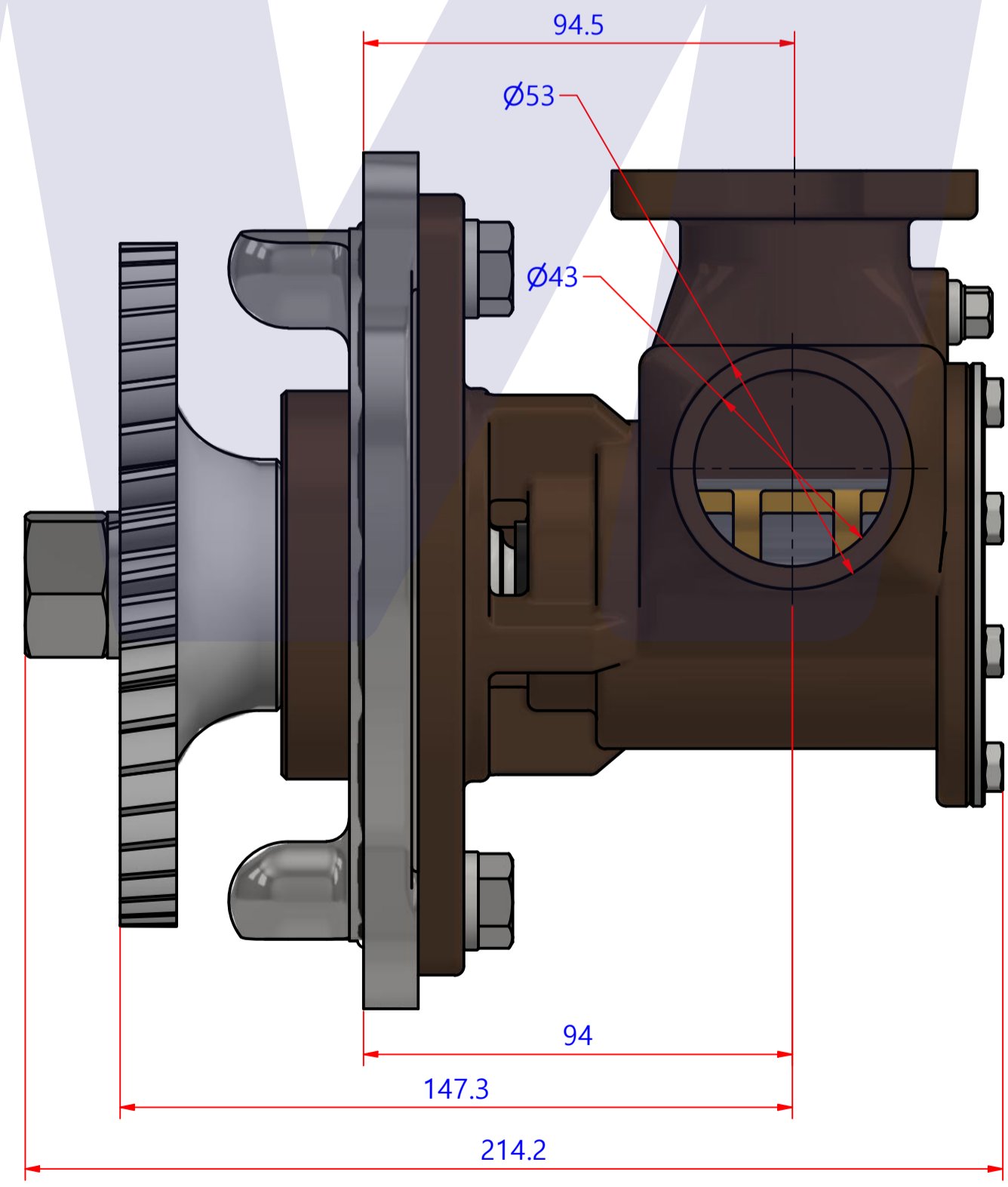
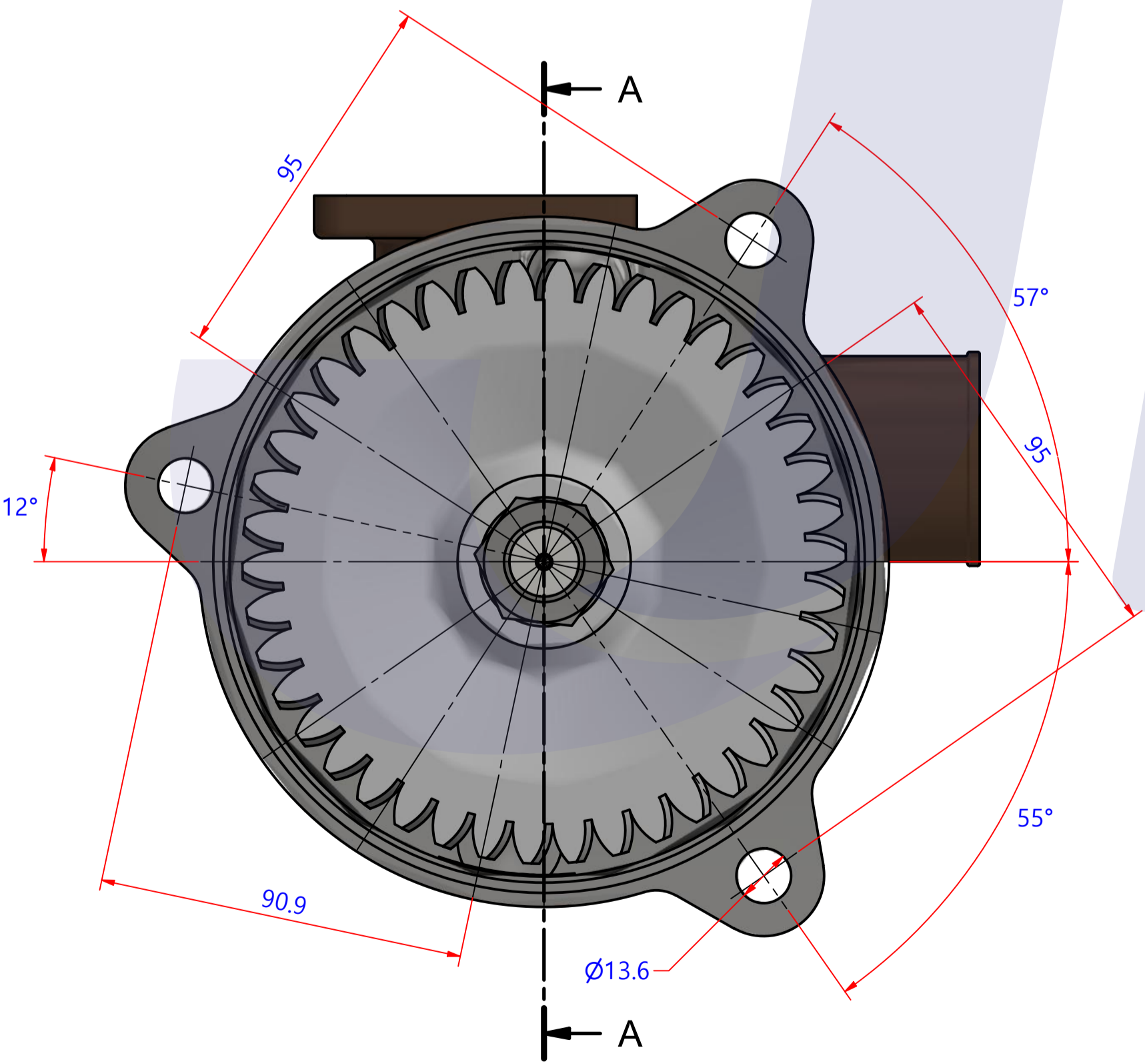
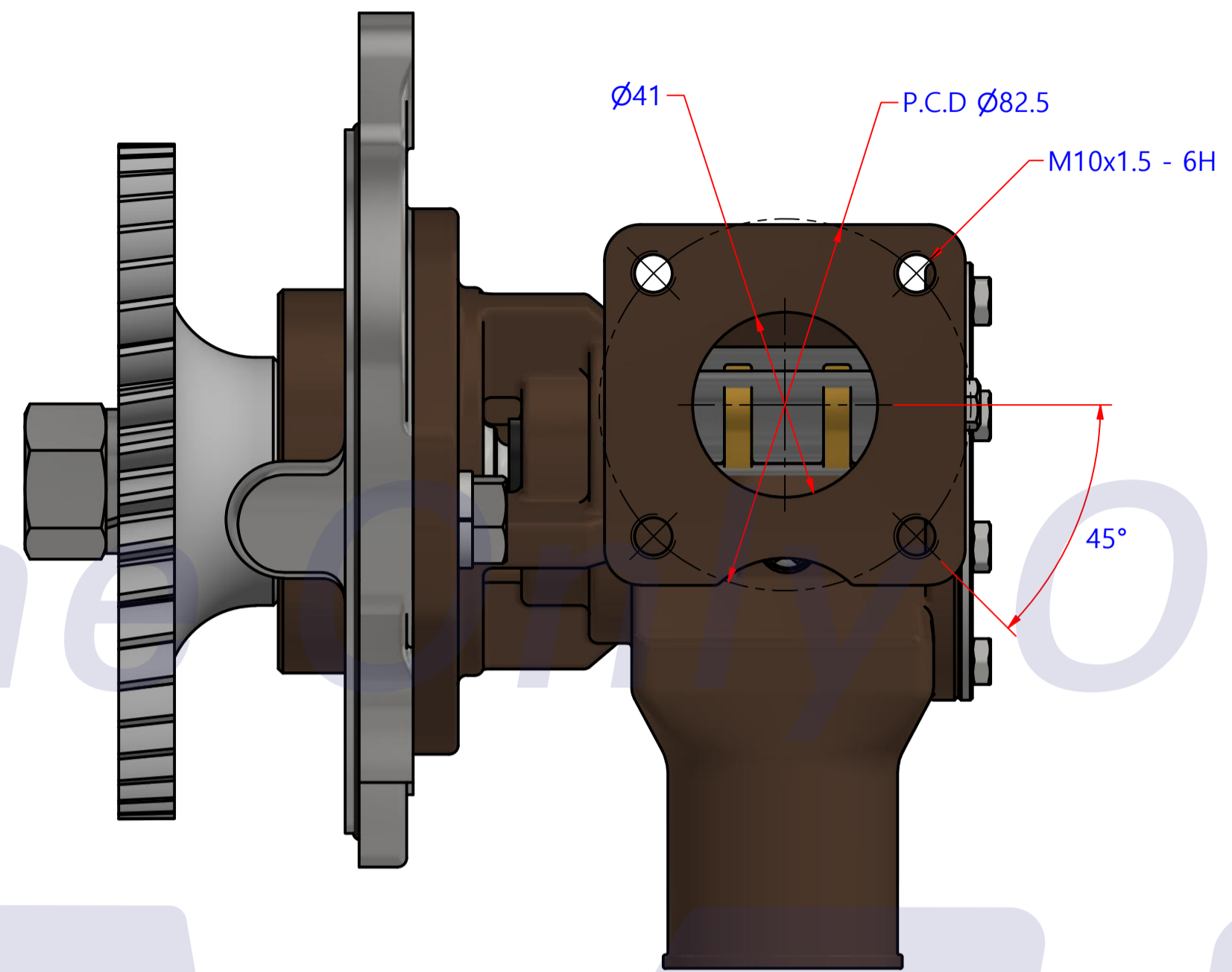
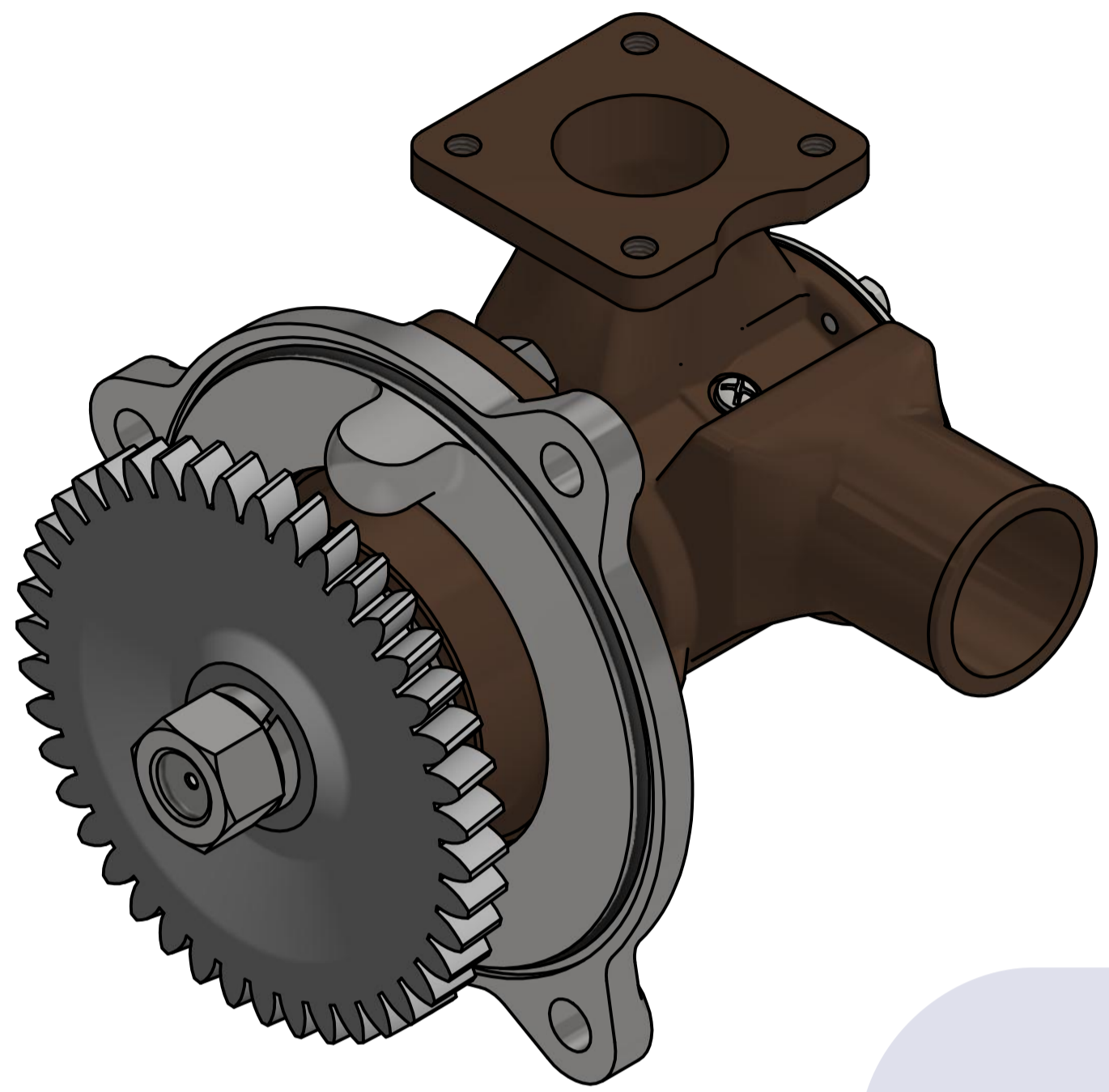


PART LIST					
No.	QTY	PART NUMBER	PART NAME	MAT	DESCRIPTION
1	1	PUA0130	PUMP ASSY		JPR-VP0110DB



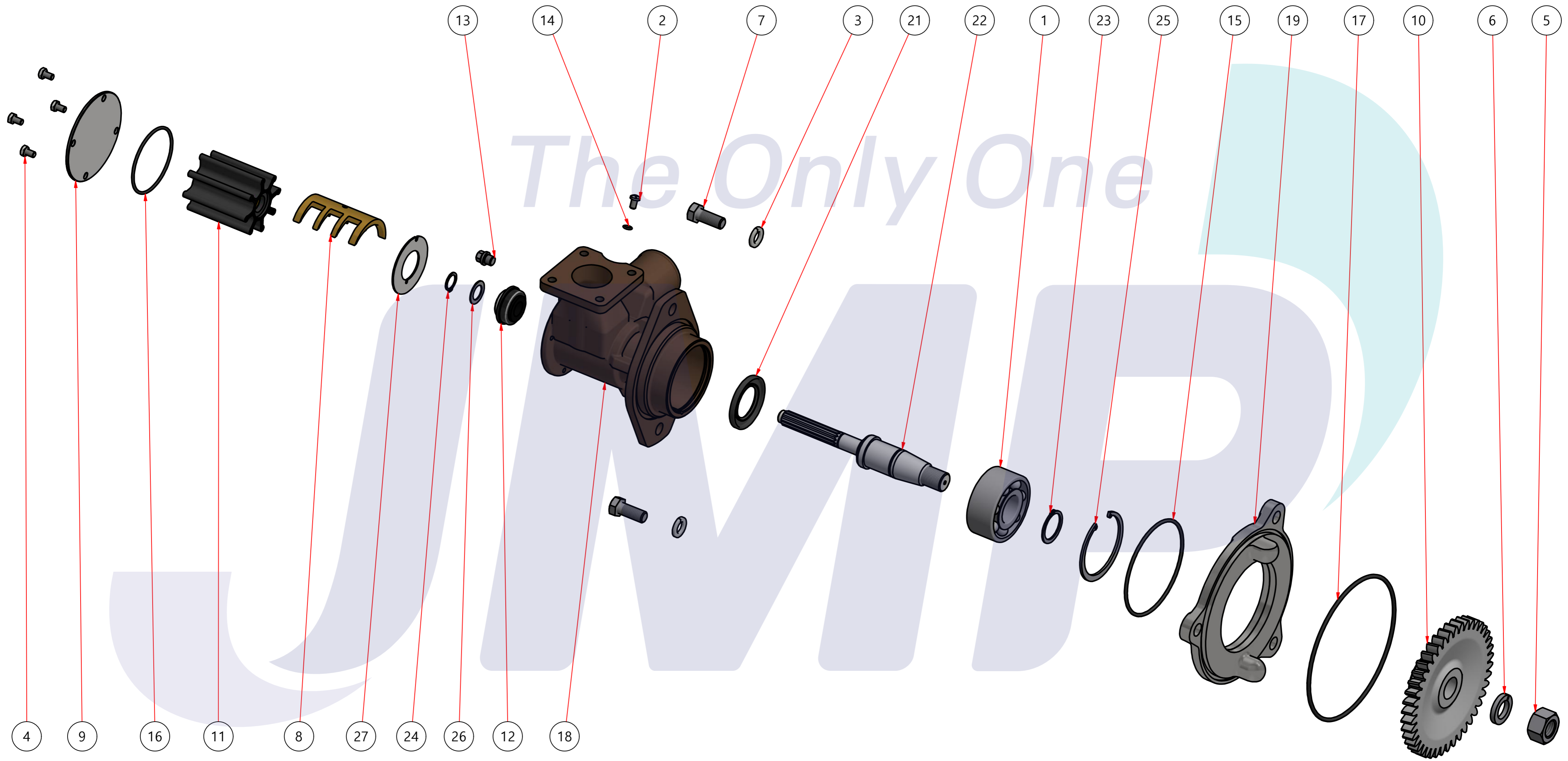
Drawing by	Checked by	Approved by - date	Model Name	Date	Scale
강 명진	Y.D. JEON		JPR-VP0110DB	2015-12-14	1 : 1
			<b>PUMP ASSY</b>		
PART NUMBER		Edition	Sheet		
PUA0130(0)		0	A1		

품 번	PUA0130
품 명	JPR-VP0110DB

A: MAJOR KIT B: MINOR KIT C: CAM SET D: M-SEAL SET E: IMPELLER KIT

No.	QTY	PART NUMBER	PART NAME	A (JSK0106)	B (JSM0086)	C (CAMSET0037)	D (MCSSET0023)	E (JIKJMP029)
1	1	BER0059	BEARING	X				
2	1	BOL0002	SCREW	X	X	X		
3	2	BOL0064	SPRING WASHER	X				
4	4	BOL0080	HEX BOLT	X	X			
5	1	BOL0160	NUT	X				
6	1	BOL0161	SPRING WASHER	X				
7	2	BOL0175	HEX BOLT	X				
8	1	CAM0037	CAM	X	X	X		
9	1	COV0047	COVER	X	X			
10	1	GEA0021	GEAR					
11	1	7446-01	RUBBER IMPELLER	X	X			X
12	1	MCS0046	SEAL	X	X		X	
13	1	NIP0014	PLUG	X				
14	1	ORG0002	O-RING	X	X	X		
15	1	ORG0059	O-RING	X				
16	1	ORG0067	O-RING	X	X			X
17	1	ORG0070	O-RING	X				
18	1	PBC0209	PUMP CASING					
19	1	PBC0210	PUMP ADAPTER					
20	1	PIN0001	PIN	X				
21	1	RET0051	RETAINER	X				
22	1	SHA0120	SHAFT	X				
23	1	SNP0005	SNAP-RING	X				
24	1	SNP0006	SNAP-RING	X	X			
25	1	SNP0014	SNAP-RING	X				
26	1	SPC0019	SPACER	X	X			
27	1	WER0029	WEAR PLATE	X	X			

PART LIST					
No.	QTY	PART NUMBER	PART NAME	MAT	DESCRIPTION
1	1	PUA0130	PUMP ASSY		JPR-VP0110DB



Drawing by	Checked by	Approved by - date	Model Name	Date	Scale
강 명진	Y.D. JEON		JPR-VP0110DB	2016-01-04	1 : 1
			PUMP PART'S VIEW		
			PART NUMBER	Edition	Sheet
			PUA0130(0)	0	A2