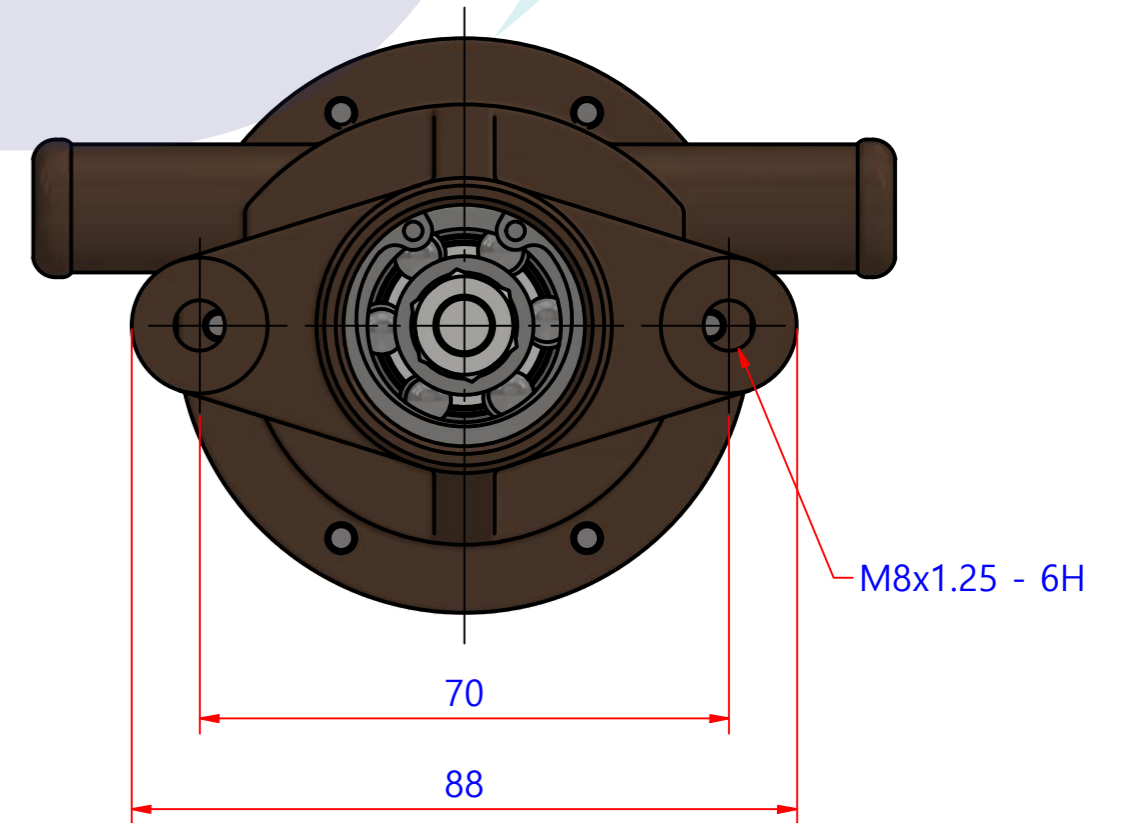
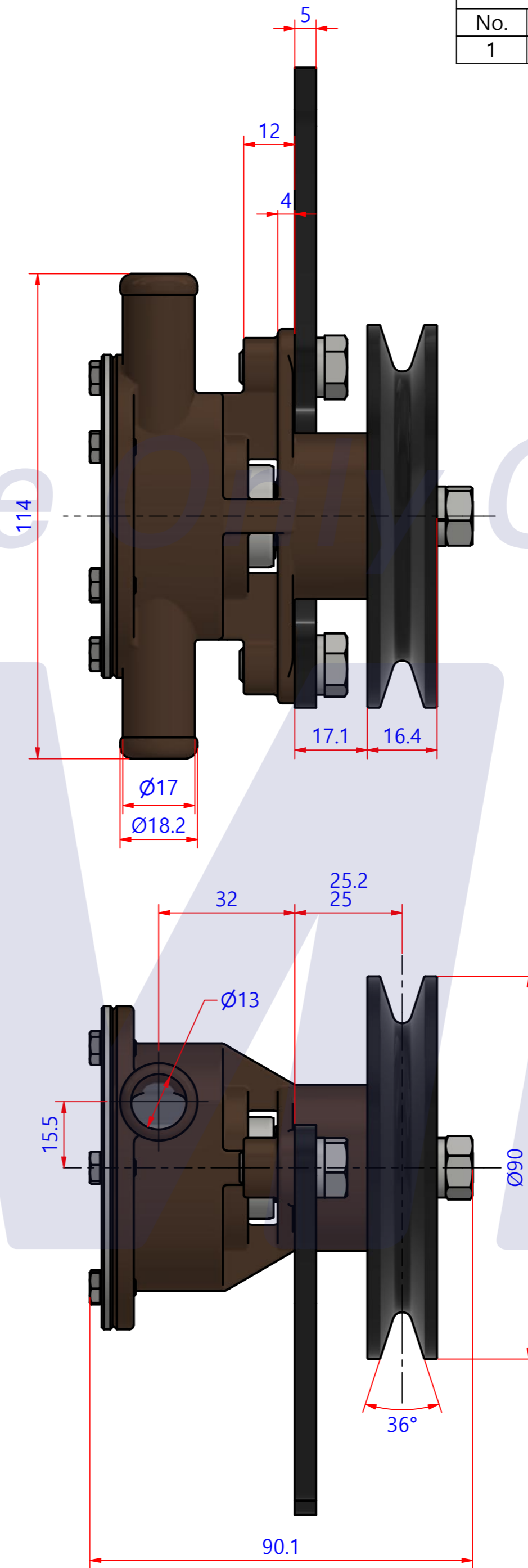
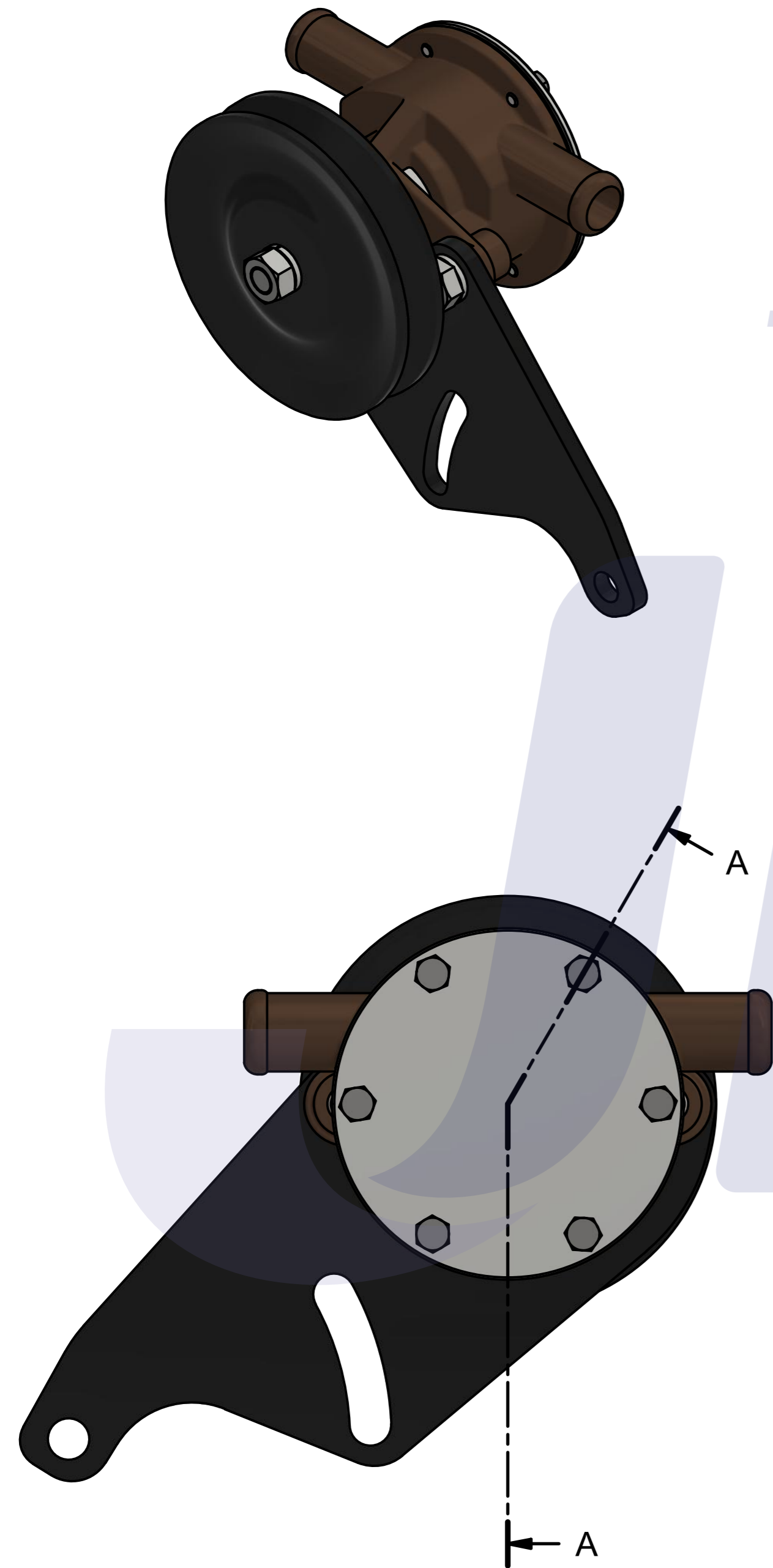


PART LIST					
No.	QTY	PART NUMBER	PART NAME	MAT	DESCRIPTION
1	1	PUA0097	PUMP ASSY		JPR-YM08IH

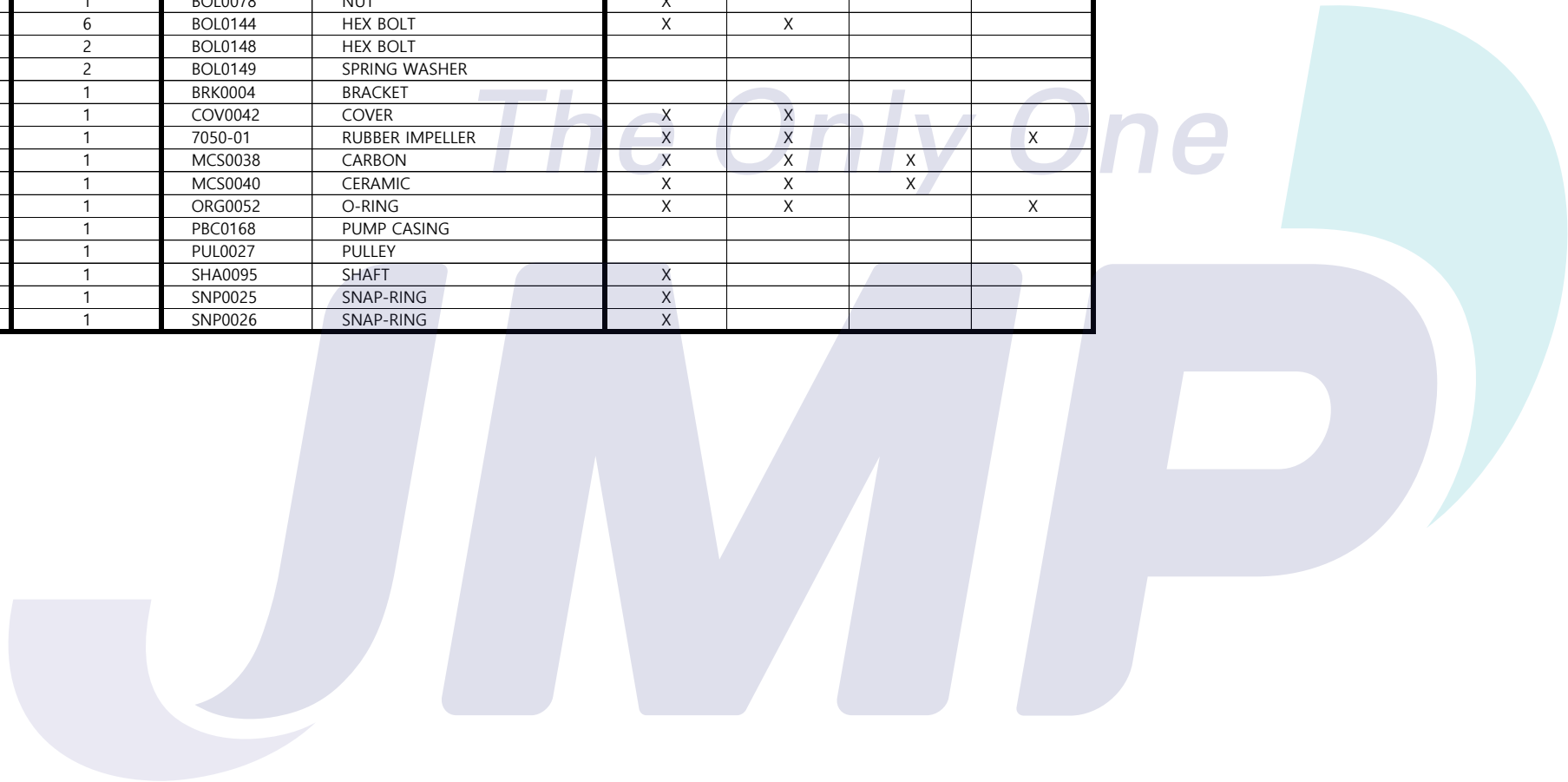


Drawing by 강 명진	Checked by Y.D. JEON	Approved by - date	Model Name JPR-YM08IH	Date 2014-02-04	Scale 1 : 1
			PUMP ASSY"		
			PART NUMBER PUA0097(0)	Edition 0	Sheet A2

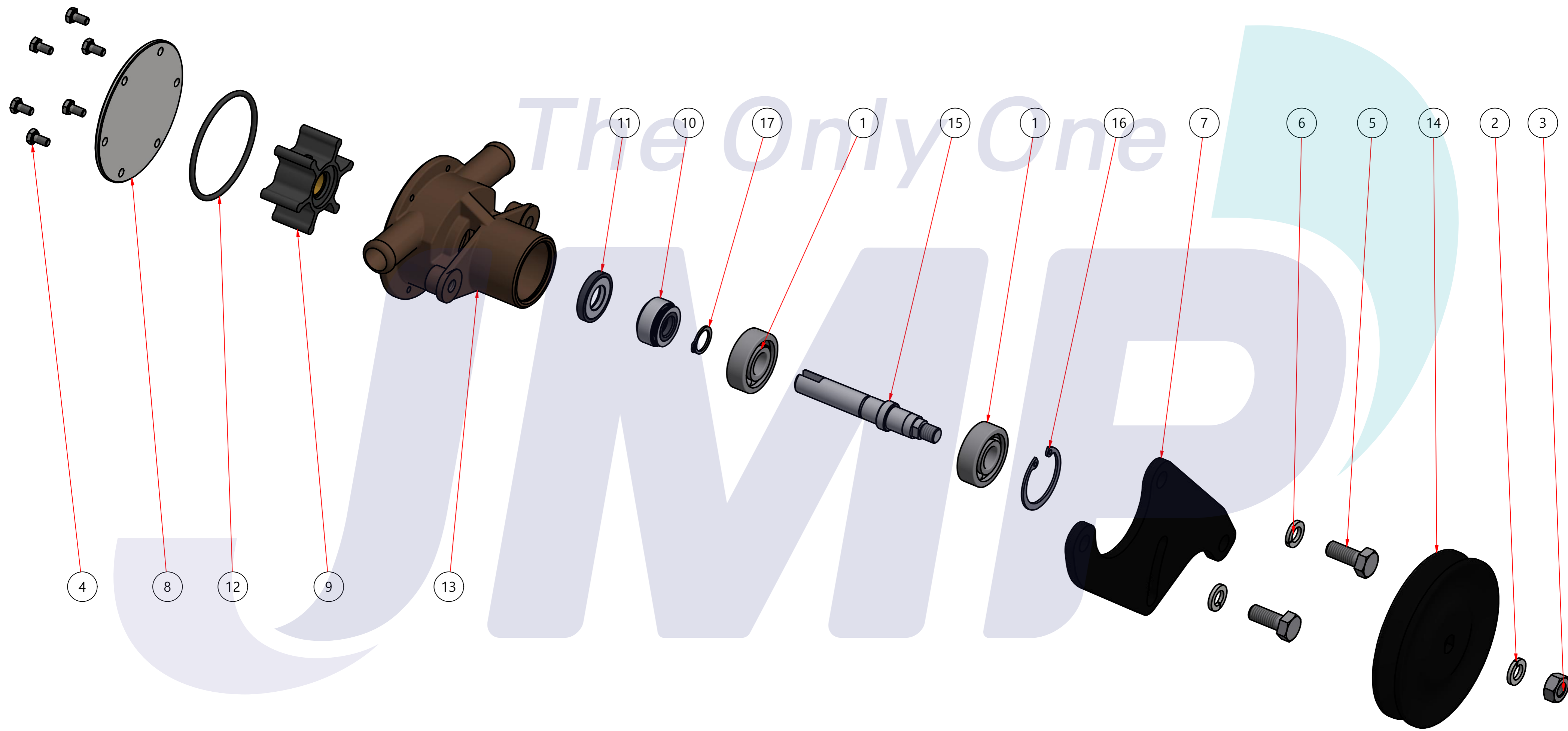
품번	PUA0097
품명	JPR-YM081H


A: MAJOR KIT B: MINOR KIT C: M-SEAL SET D: IMPELLER KIT

No.	QTY	PART NUMBER	PART NAME	A (JSK0082)	B (JSM0091)	C (MCSSET0020)	D (JIKJMP005)
1	2	BER0054	BEARING	X			
2	1	BOL0037	SPRING WASHER	X			
3	1	BOL0078	NUT	X			
4	6	BOL0144	HEX BOLT	X	X		
5	2	BOL0148	HEX BOLT				
6	2	BOL0149	SPRING WASHER				
7	1	BRK0004	BRACKET				
8	1	COV0042	COVER	X	X		
9	1	7050-01	RUBBER IMPELLER	X	X		X
10	1	MCS0038	CARBON	X	X	X	
11	1	MCS0040	CERAMIC	X	X	X	
12	1	ORG0052	O-RING	X	X		X
13	1	PBC0168	PUMP CASING				
14	1	PUL0027	PULLEY				
15	1	SHA0095	SHAFT	X			
16	1	SNP0025	SNAP-RING	X			
17	1	SNP0026	SNAP-RING	X			



PART LIST					
No.	QTY	PART NUMBER	PART NAME	MAT	DESCRIPTION
1	1	PUA0097	PUMP ASSY		JPR-YM08IH



Drawing by	Checked by	Approved by - date	Model Name	Date	Scale
강 명진	Y.D. JEON		JPR-YM08IH	2014-03-04	1 : 1
			PUMP PART'S VIEW		
			PART NUMBER	Edition	Sheet
			PUA0097(0)	0	A2