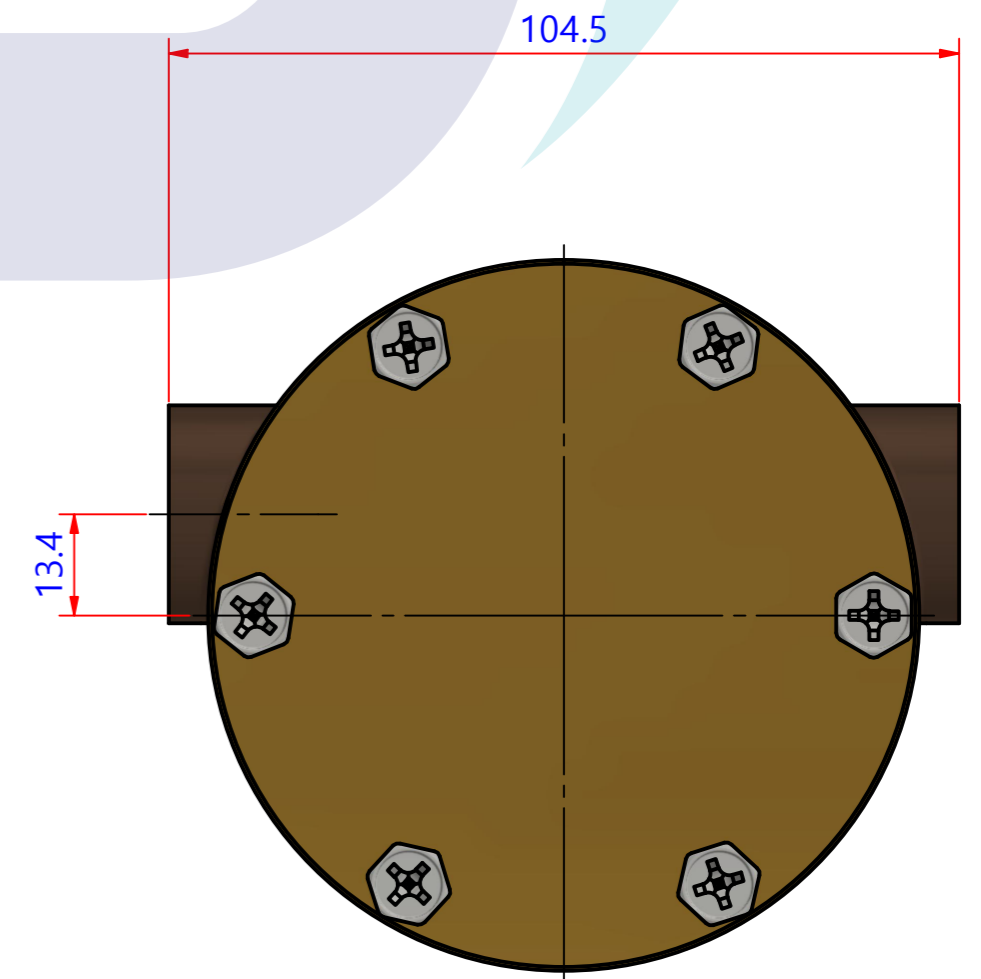
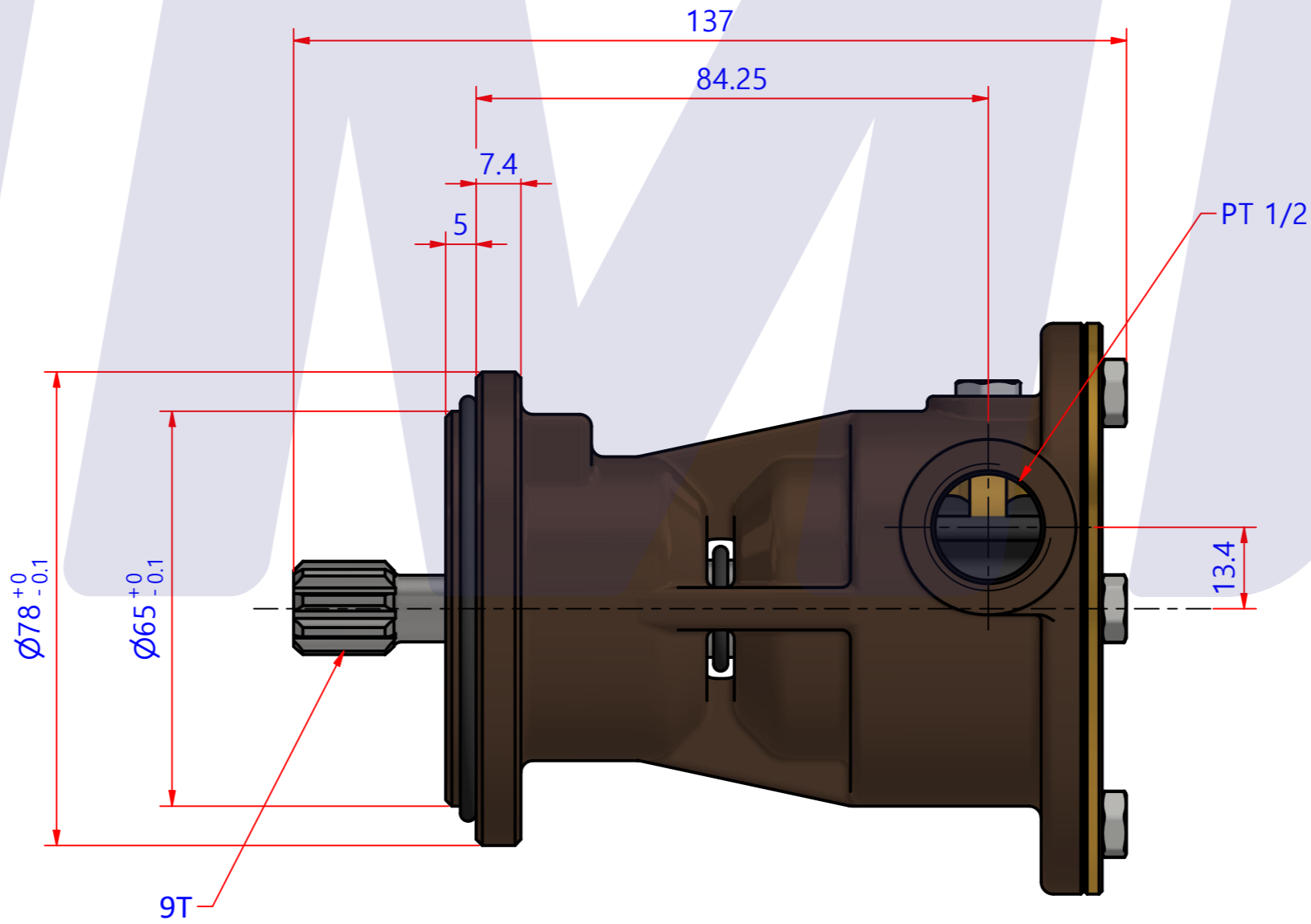
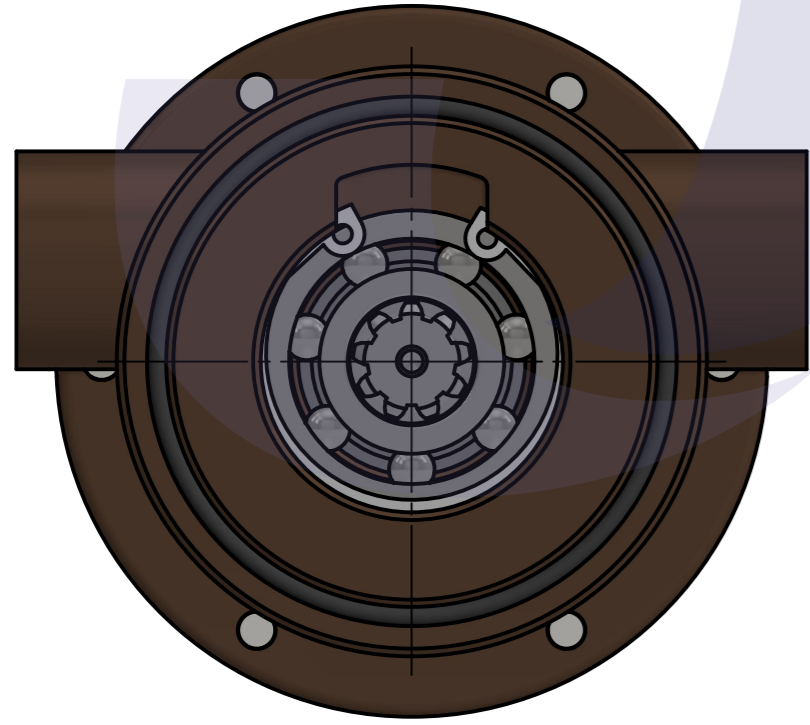
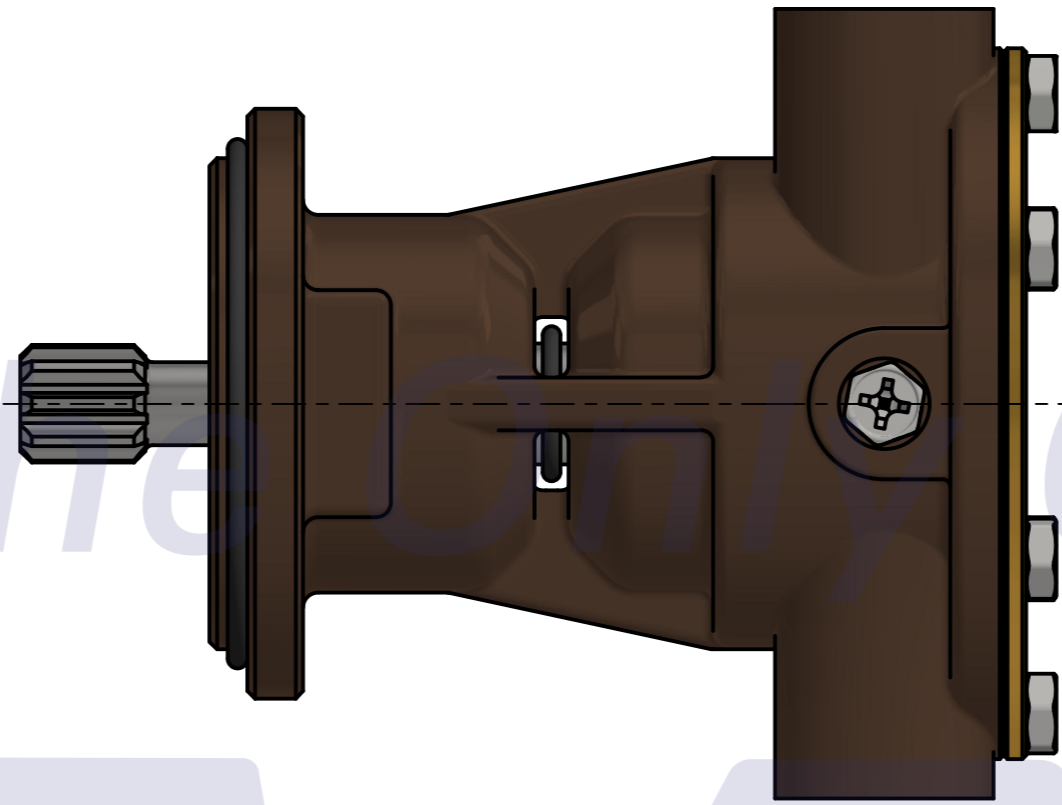
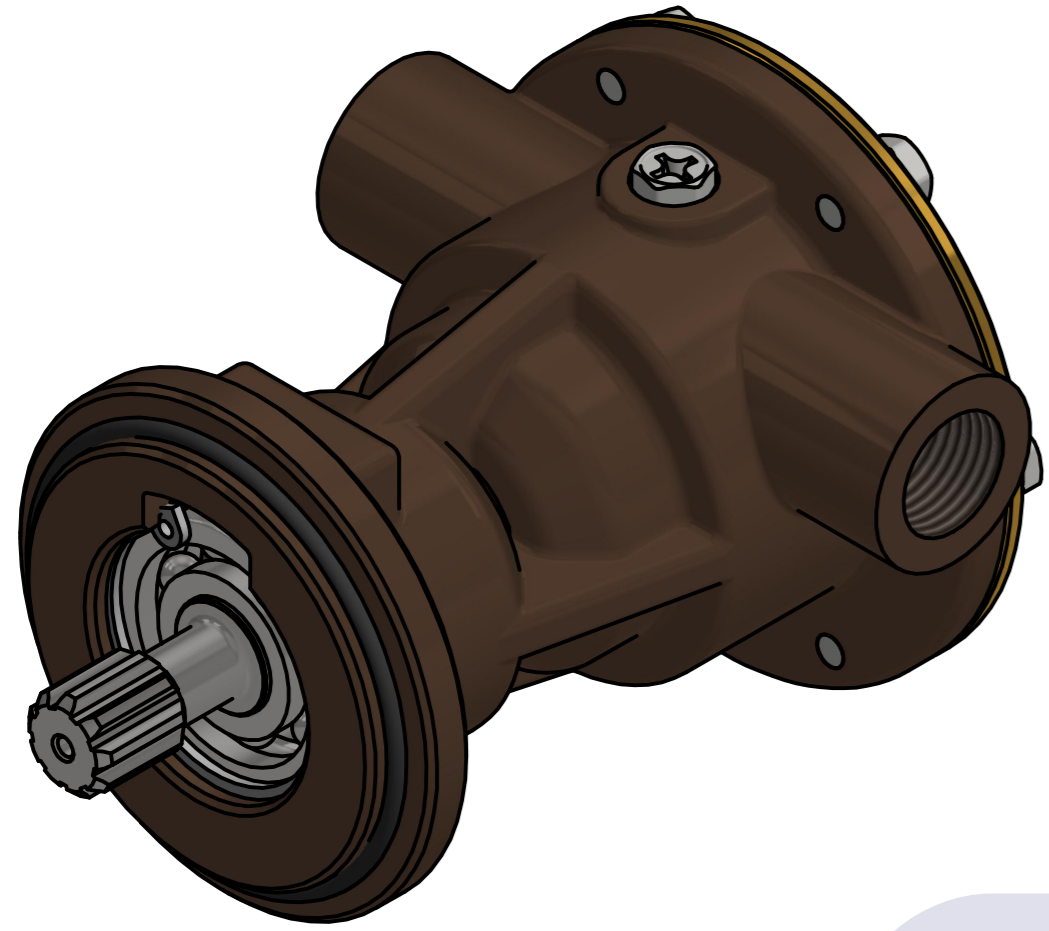


PART LIST					
No.	QTY	PART NUMBER	PART NAME	MAT	DESCRIPTION
1	1	PUA0087	PUMP ASSY		JPR-NL10IP2



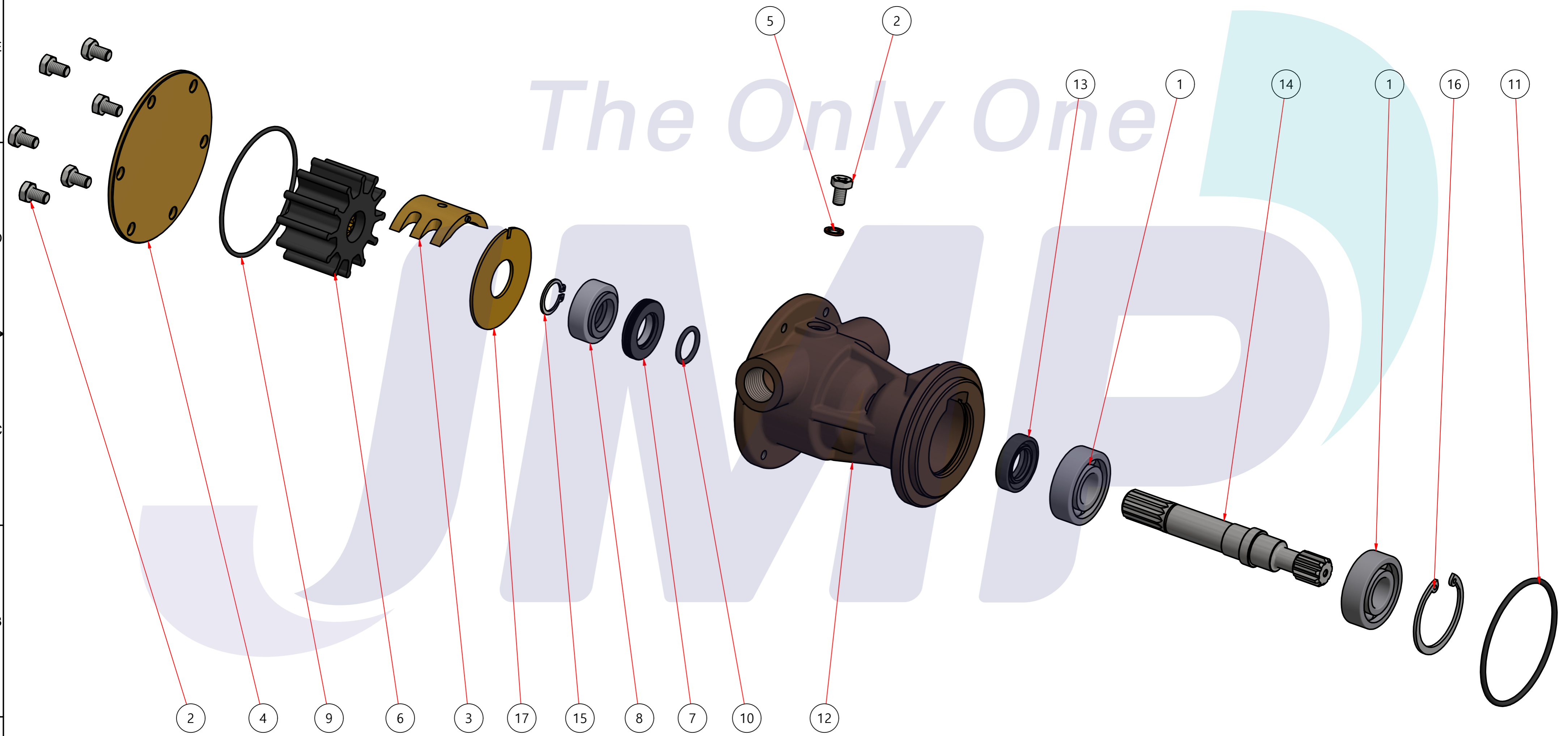
Drawing by	Checked by	Approved by - date	Model Name	Date	Scale
M.J.KANG	C.I. JEON		JPR-NL10IP2	2019-07-22	1 : 1
			PUMP ASSY		
			PART NUMBER	Edition	Sheet
			PUA0087(0)	0	A2

품 번	PUA0087
품 명	JPR-NL10IP2

A: MAJOR KIT B: MINOR KIT C: CAM SET D: M-SEAL SET E: IMPELLER KIT

No.	QTY	PART NUMBER	PART NAME	A (JSK0074)	B (JSM0090)	C (CAMSET0033)	D (MCSSET0008)	E (JIKJMP013)
1	2	BER0050	BEARING	X				
2	7	BOL0080	HEX BOLT	X	X	X (1)		
3	1	CAM000101	CAM	X	X	X		
4	1	COV0003	COVER	X	X			
5	1	GAK0009	FIBER GASKET	X	X	X		
6	1	7100-01	RUBBER IMPELLER	X	X			X
7	1	MCS0013	CERAMIC	X	X		X	
8	1	MCS0016	CARBON	X	X		X	
9	1	ORG0013	O-RING	X	X			X
10	1	ORG0044	O-RING	X				
11	1	ORG0046	O-RING	X				
12	1	PBC0151	PUMP CASING					
13	1	RET0038	RETAINER	X				
14	1	SHA0086	SHAFT	X				
15	1	SNP0006	SNAP-RING	X	X			
16	1	SNP0009	SNAP-RING	X				
17	1	WER0006	WEAR PLATE	X	X			

PART LIST					
No.	QTY	PART NUMBER	PART NAME	MAT	DESCRIPTION
1	1	PUA0087	PUMP ASSY		JPR-NL10IP2



Drawing by 강 명진	Checked by Y.D. JEON	Approved by - date	Model Name JPR-NL10IP-2	Date 2013-08-22	Scale 1 : 1
			PUMP PART'S VIEW		
			PART NUMBER PUA0087(0)	Edition 0	Sheet A2