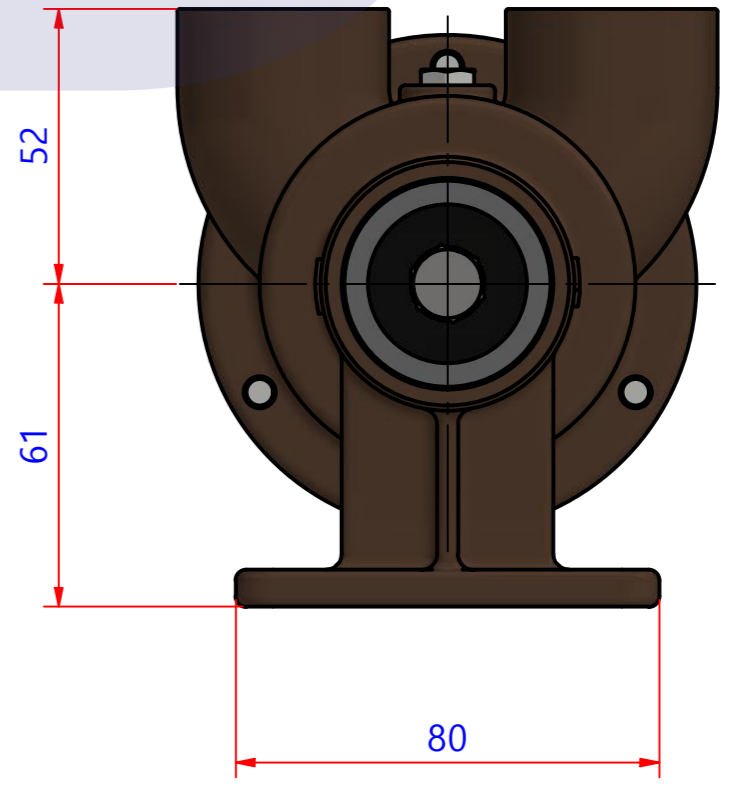
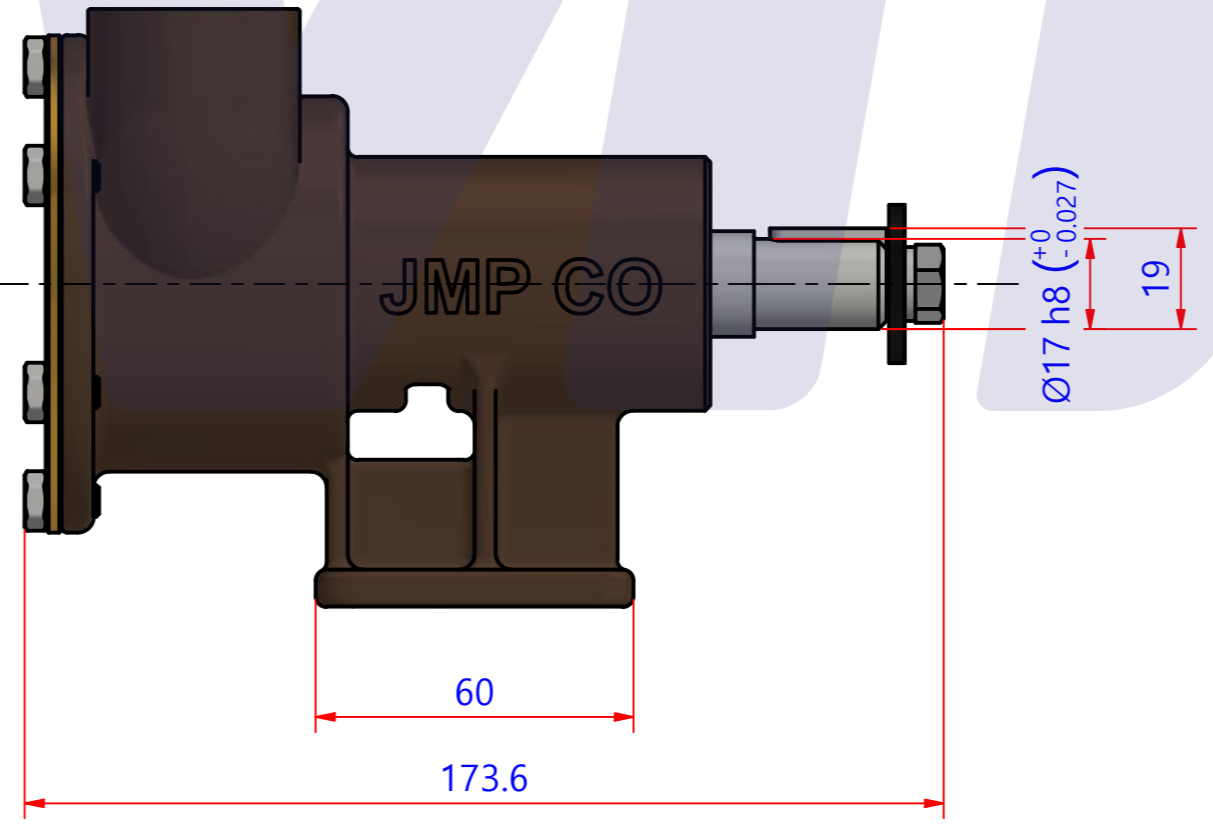
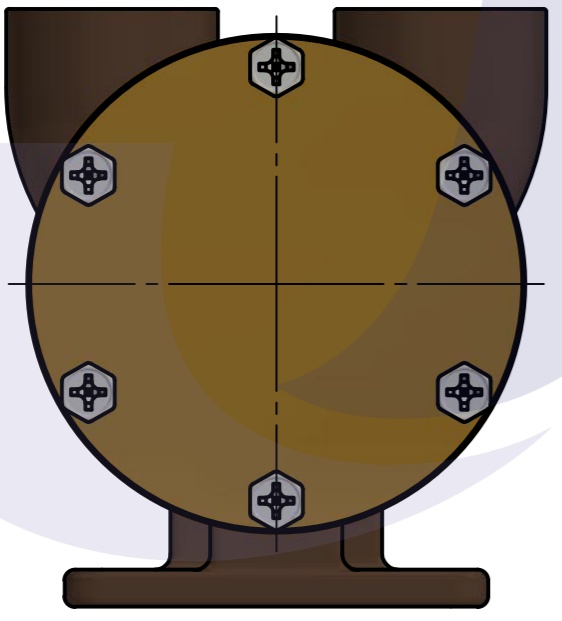
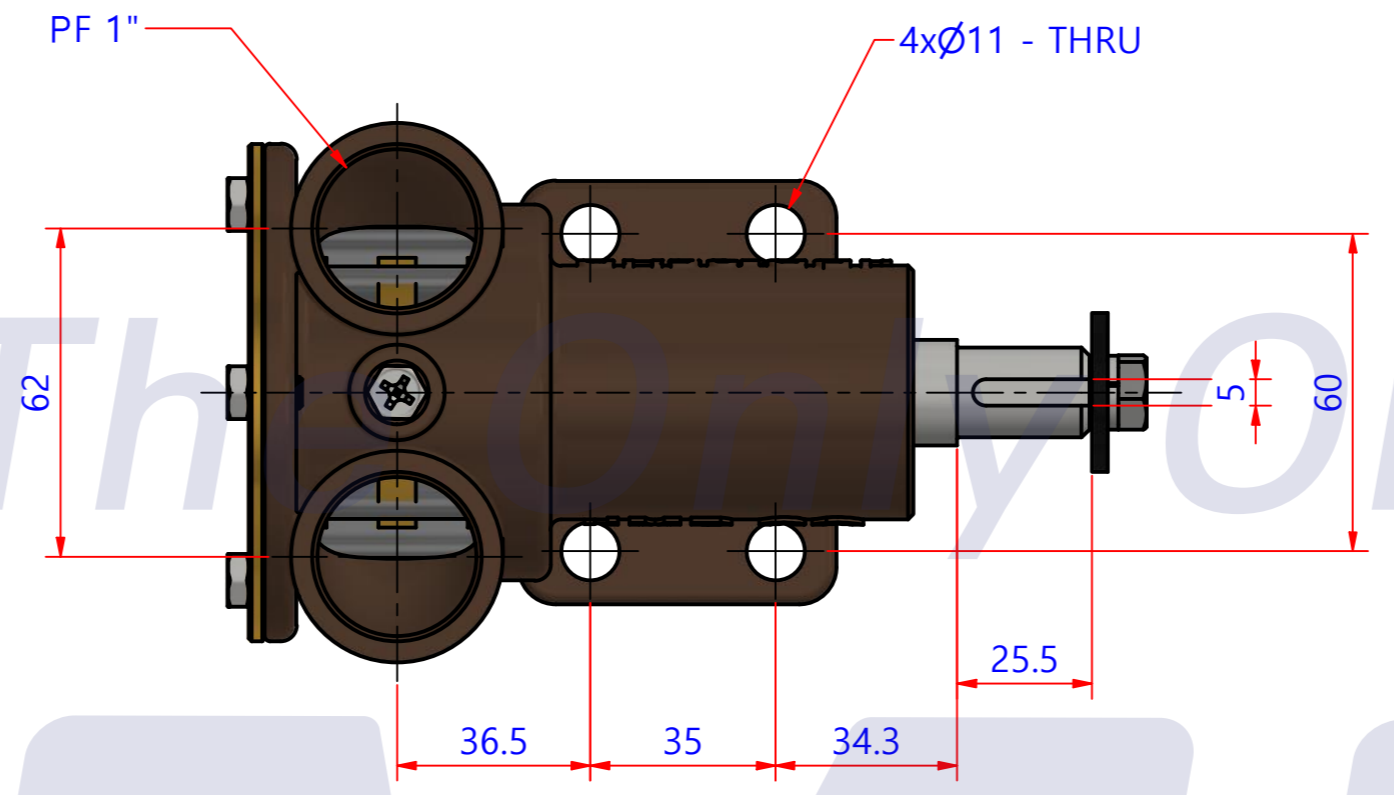
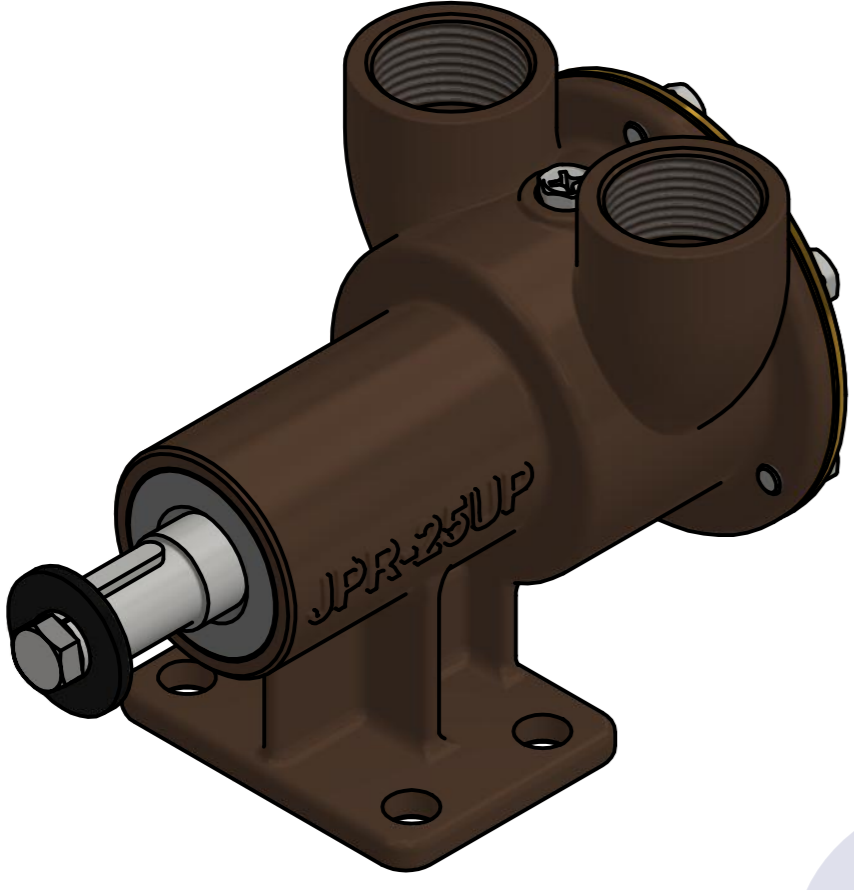


PART LIST					
No.	QTY	PART NUMBER	PART NAME	MAT	DESCRIPTION
1	1	PUA0002	PUMP ASSY		JPR-25UP



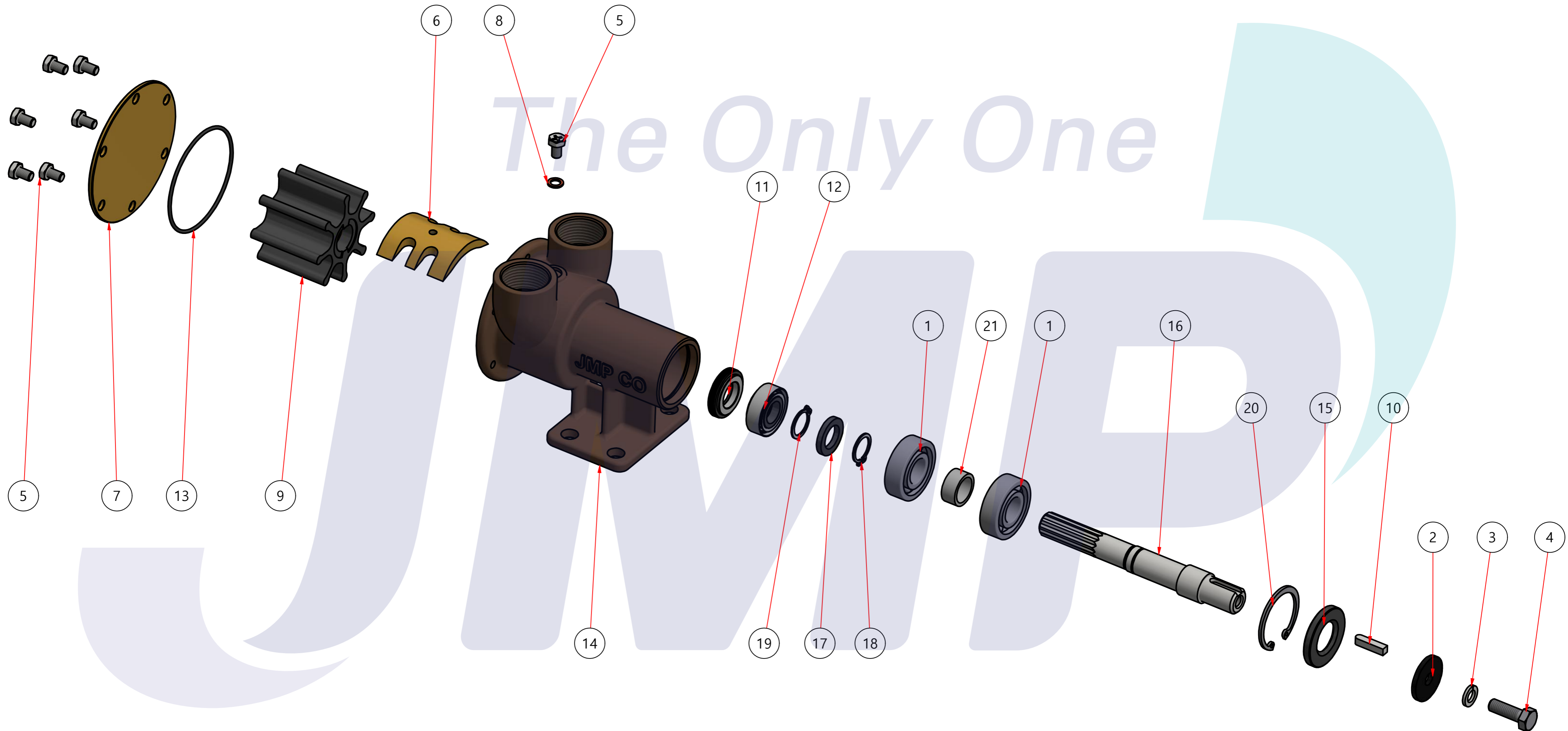
Drawing by	Checked by	Approved by - date	Model Name	Date	Scale
M.J.KANG	C.I. JEON		JPR-25UP	2019-02-21	1:1
			PUMP ASSY		
			PART NUMBER	Edition	Sheet
			PUA0002(0)	0	A2

품 번	PUA0002
품 명	JPR-25UP

A: MAJOR KIT B: MINOR KIT C: CAM SET D: M-SEAL SET E: IMPELLER KIT

No.	QTY	PART NUMBER	PART NAME	A (JSK0001)	B (JSM0001)	C (CAMSET0003)	D (MCSSET0008)	E (JIKJMP024)
1	2	BER0002	BEARING	X				
2	1	BOL0034	FLAT WASHER	X				
3	1	BOL0037	SPRING WASHER	X				
4	1	BOL0059	HEX BOLT	X				
5	7	BOL0080	HEX SCREW	X	X	X (1)		
6	1	CAM0003	CAM	X	X	X		
7	1	COV0003	COVER	X	X			
8	1	GAK0009	FIBER GASKET	X	X	X		
9	1	7400-01	RUBBER IMPELLER	X	X			X
10	1	KEY0002	KEY	X				
11	1	MCS0013	CERAMIC	X	X		X	
12	1	MCS0016	CARBON	X	X		X	
13	1	ORG0013	O-RING	X	X			X
14	1	PBC0002	PUMP CASING					
15	1	RET0030	RETAINER	X				
16	1	SHA0001	SHAFT	X				
17	1	SLI0001	SLINGER	X				
18	1	SNP0002	SNAP-RING	X				
19	1	SNP0006	SNAP-RING	X	X			
20	1	SNP0009	SNAP-RING	X				
21	1	SPC0002	SPACER	X				

8 7 6 5 4 3 2 1



Drawing by 강 명진	Checked by Y.D. JEON	Approved by - date	Model Name JPR-25UP	Date 2014-03-03	Scale 1 : 1
			PUMP PART'S VIEW		
			PART NUMBER PUA0002(0)	Edition 0	Sheet A2

8 7 6 5 4 3 2 1