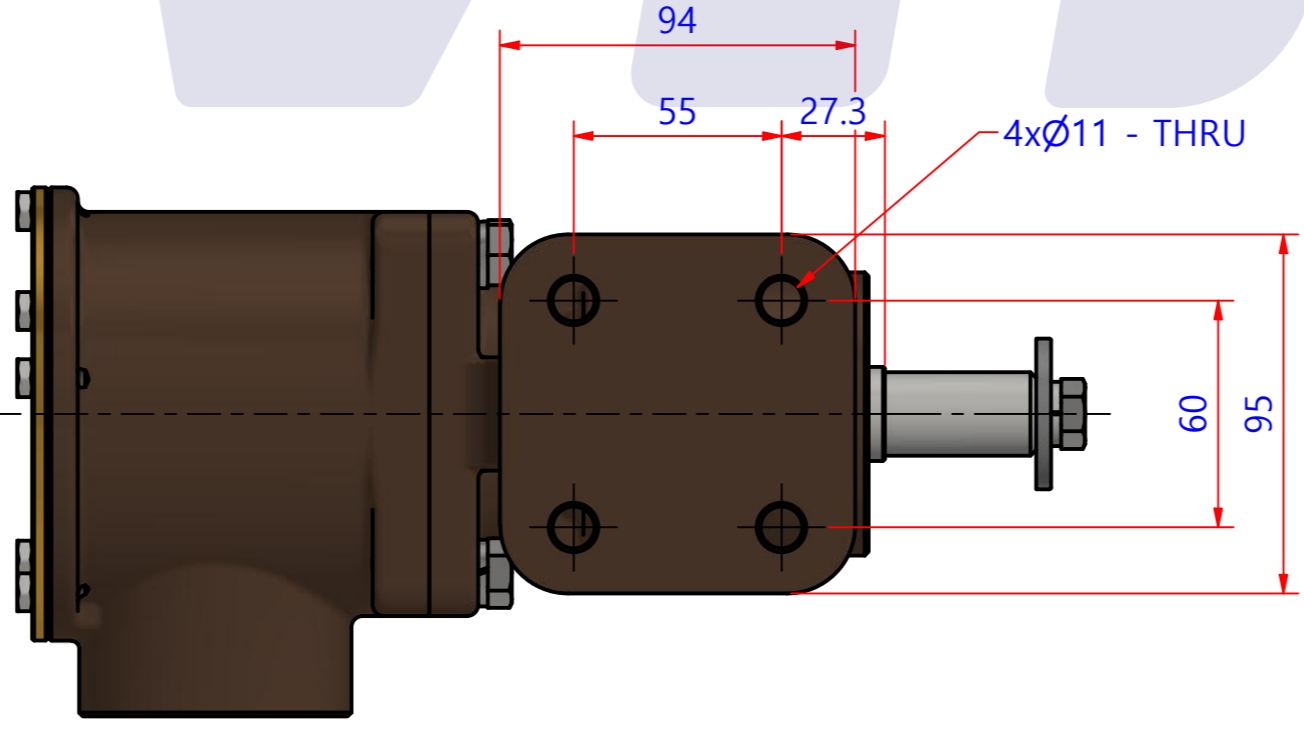
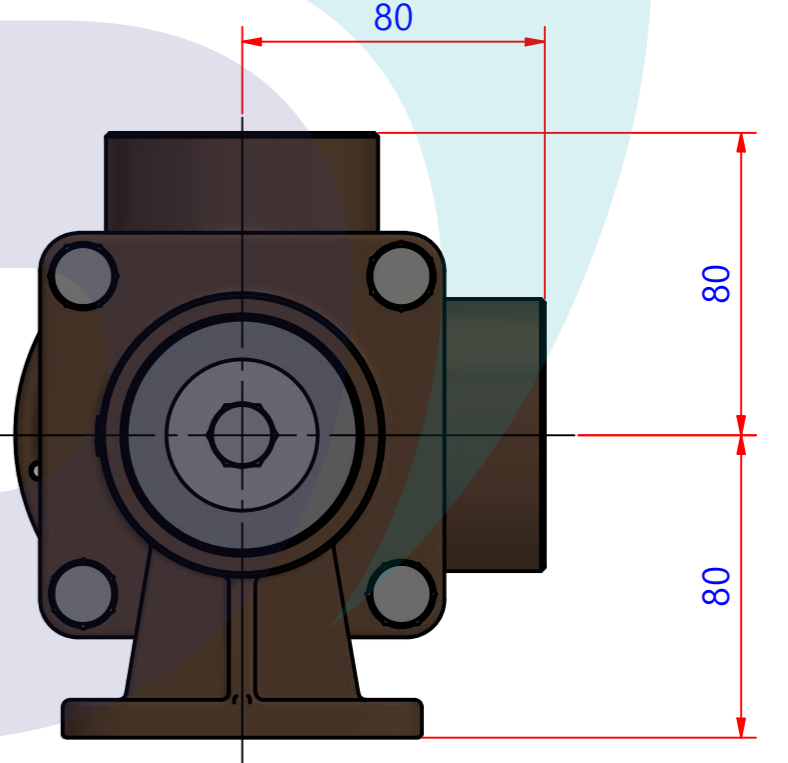
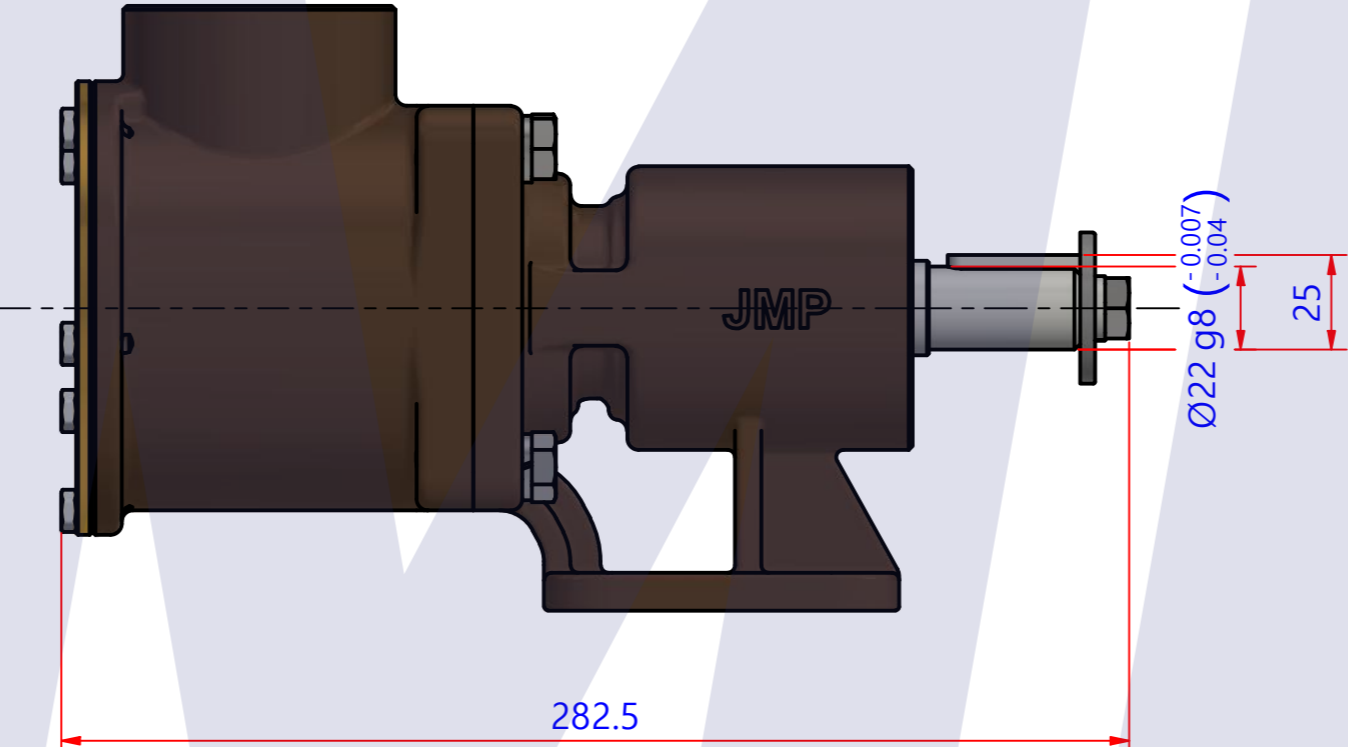
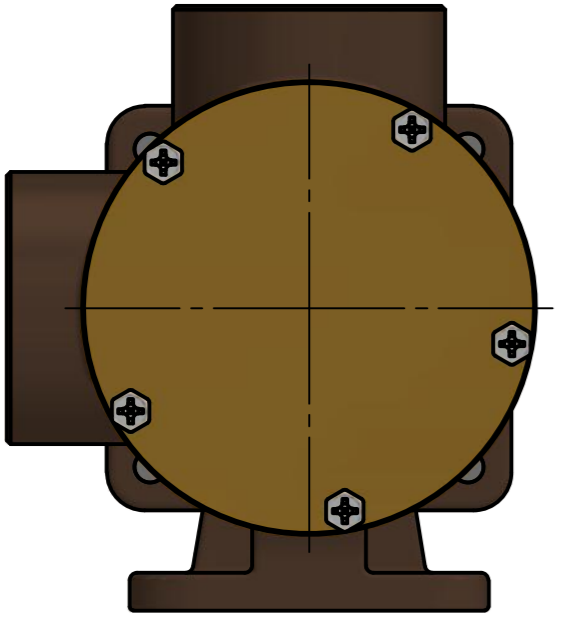
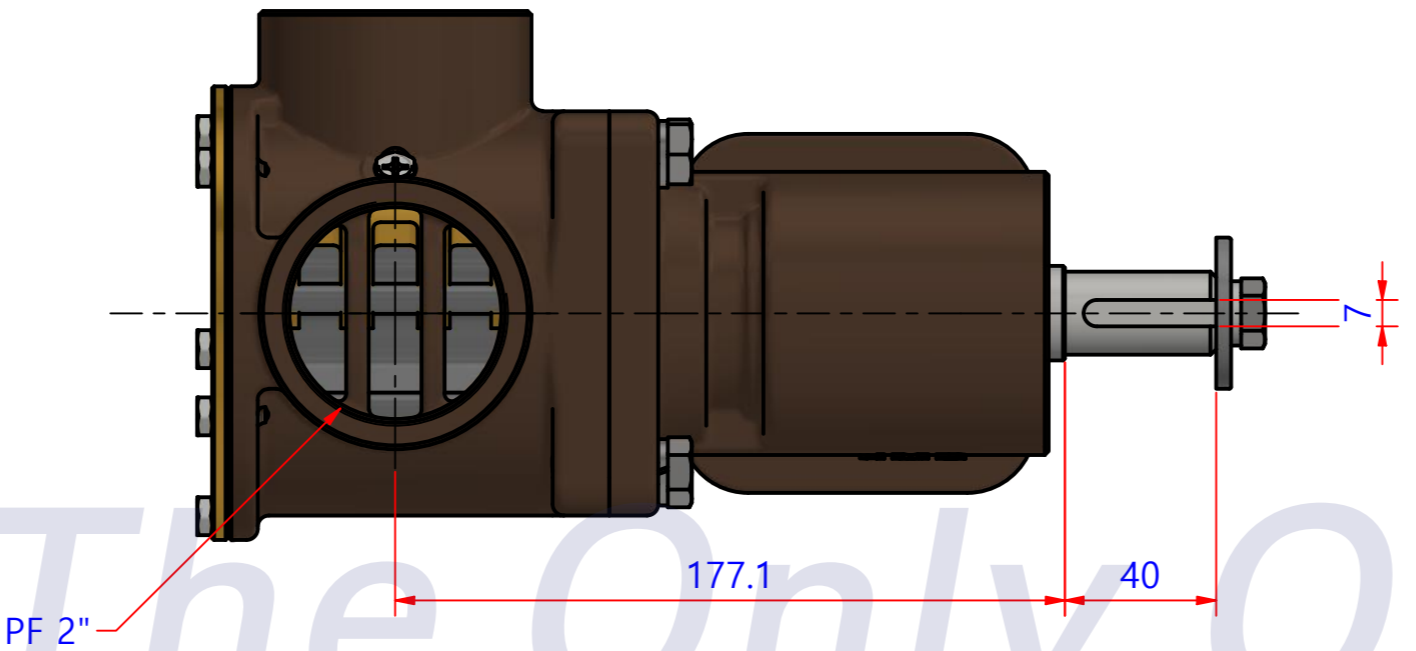
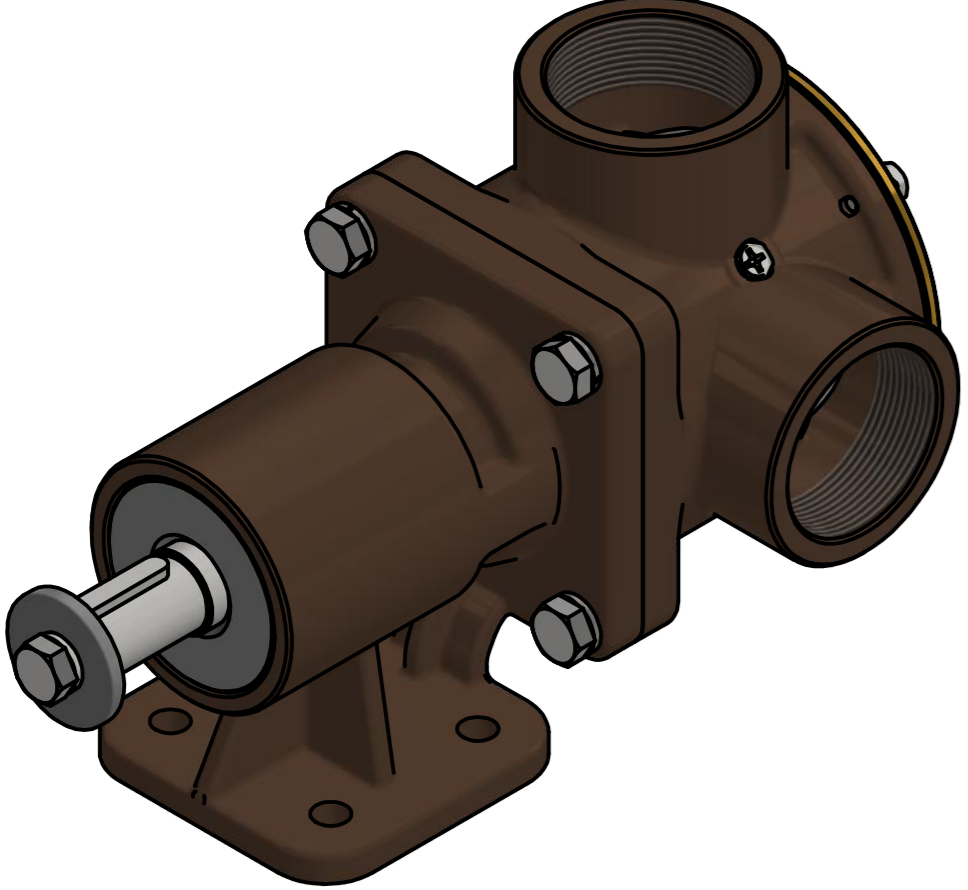


PART LIST					
No.	QTY	PART NUMBER	PART NAME	MAT	DESCRIPTION
1	1	PUA001501	PUMP ASSY		JPR-50LP



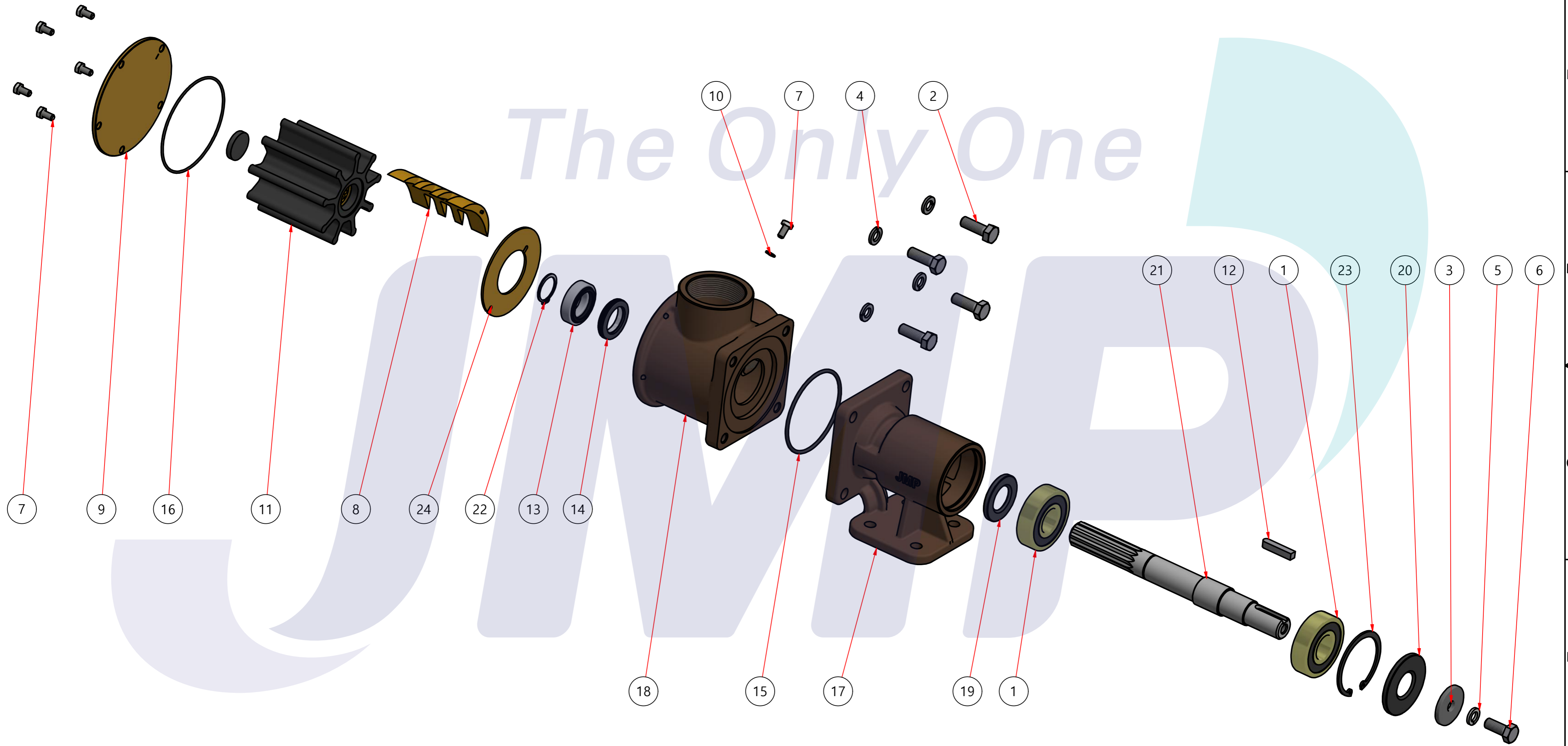
Drawing by	Checked by	Approved by - date	Model Name	Date	Scale
M.J.KANG	C.I. JEON		JPR-50LP	2019-02-22	1:1
			PUMP ASSY		
			PART NUMBER	Edition	Sheet
			PUA001501(0)	0	A2

품 번	PUA001501
품 명	JPR-50LP

A: MAJOR KIT B: MINOR KIT C: CAM SET D: M-SEAL SET E: IMPELLER KIT

No.	QTY	PART NUMBER	PART NAME	A (JSK0011)	B (JSM0011)	C (CAMSET0006)	D (MCSSET0003)	E (JIKJMP042)
1	2	BER0006	BEARING	X				
2	4	BOL0012	HEX BOLT	X				
3	1	BOL0032	FLAT WASHER	X				
4	4	BOL0038	SPRING WASHER	X				
5	1	BOL0039	SPRING WASHER	X				
6	1	BOL0060	HEX BOLT	X				
7	6	BOL0081	HEX SCREW	X	X	X (1)		
8	1	CAM0006	CAM	X	X	X		
9	1	COV0005	COVER	X	X			
10	1	GAK0009	FIBER GASKET	X	X	X		
11	1	8200-01	RUBBER IMPELLER	X	X			X
12	1	KEY0007	KEY	X				
13	1	MCS0004	CARBON	X	X		X	
14	1	MCS0009	CERAMIC	X	X		X	
15	1	ORG0009	O-RING	X	X			
16	1	ORG0015	O-RING	X	X			X
17	1	PBC0015	PUMP CASING / BER					
18	1	PBC0016	PUMP CASING / IMP					
19	1	RET0007	RETAINER	X				
20	1	RET0010	RETAINER	X				
21	1	SHA0011	SHAFT	X				
22	1	SNP0008	SNAP-RING	X	X			
23	1	SNP0013	SNAP-RING	X				
24	1	WER0003	WEAR PLATE	X	X			

PART LIST					
항목	수량	부품번호	주제	재질	설명
1	1	PUA001501	PUMP ASSY		JPR-50LP



Drawing by 강 명진	Checked by Y.D. JEON	Approved by - date	Model Name JPR-50LP	Date 2013-12-16	Scale 1 : 1
			PUMP PART'S VIEW		
			PART NUMBER PUA001501(0)	Edition 0	Sheet A2