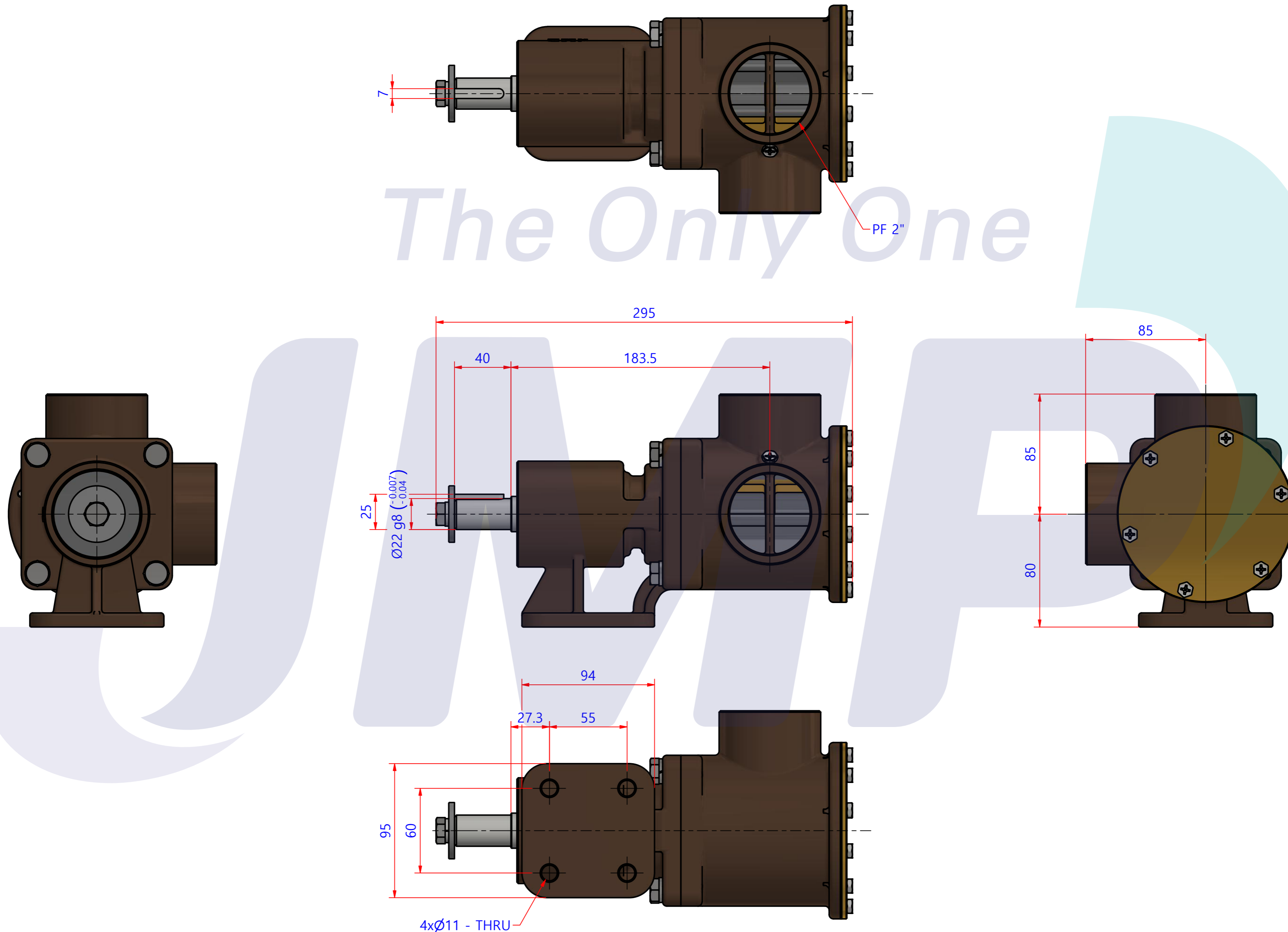


| PART LIST | | | | | |
|-----------|-----|-------------|-----------|-----|-------------|
| No. | QTY | PART NUMBER | PART NAME | MAT | DESCRIPTION |
| 1 | 1 | PUA0017 | PUMP ASSY | | JPR-50LPL |



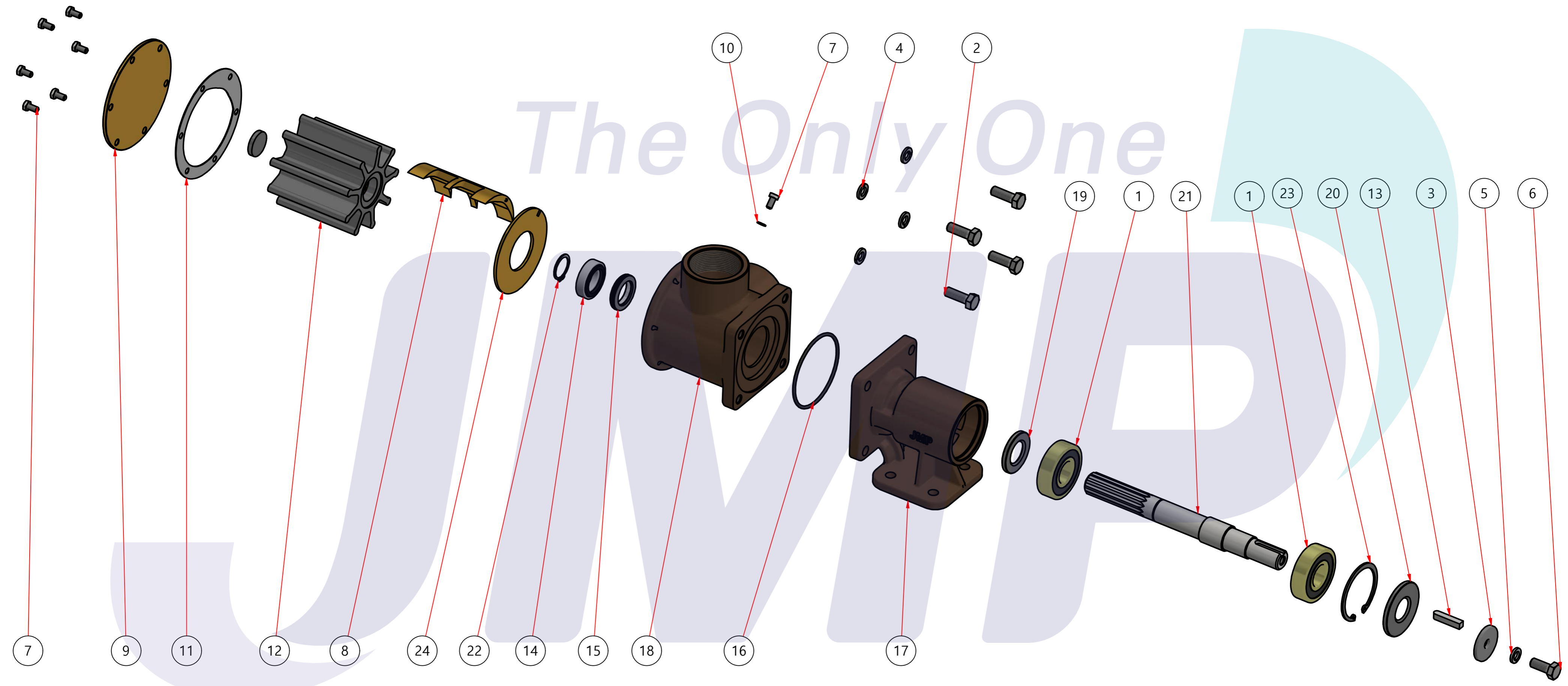
| | | | | | |
|-------------|------------|--------------------|------------------|------------|-------|
| Drawing by | Checked by | Approved by - date | Model Name | Date | Scale |
| M.J.KANG | C.I. JEON | | JPR-50LPL | 2019-02-22 | 1:1 |
| | | | PUMP ASSY | | |
| PART NUMBER | | | PUA0017(0) | Edition | Sheet |
| | | | | 0 | A2 |

| | |
|-----|-----------|
| 품 번 | PUA0017 |
| 품 명 | JPR-50LPL |

A: MAJOR KIT B: MINOR KIT C: CAM SET D: M-SEAL SET E: IMPELLER KIT

| No. | QTY | PART NUMBER | PART NAME | A (JSK0012) | B (JSM0012) | C (CAMSET0008) | D (MCSSET0003) | E (JIKJMP050) |
|-----|-----|-------------|-------------------|----------------|----------------|-------------------|-------------------|------------------|
| 1 | 2 | BER0006 | BEARING | X | | | | |
| 2 | 4 | BOL0012 | HEX BOLT | X | | | | |
| 3 | 1 | BOL0032 | FLAT WASHER | X | | | | |
| 4 | 4 | BOL0038 | SPRING WASHER | X | | | | |
| 5 | 1 | BOL0039 | SPRING WASHER | X | | | | |
| 6 | 1 | BOL0060 | HEX BOLT | X | | | | |
| 7 | 7 | BOL0081 | HEX SCREW | X | X | X (1) | | |
| 8 | 1 | CAM0008 | CAM | X | X | X | | |
| 9 | 1 | COV0008 | COVER | X | | | | |
| 10 | 1 | GAK0009 | FIBER GASKET | X | X | X | | |
| 11 | 1 | GAK0019 | GASKET | X | X | | | X |
| 12 | 1 | 8400-01 | RUBBER IMPELLER | X | X | | | X |
| 13 | 1 | KEY0007 | KEY | X | | | | |
| 14 | 1 | MCS0004 | CARBON | X | X | | X | |
| 15 | 1 | MCS0009 | CERAMIC | X | X | | X | |
| 16 | 1 | ORG0009 | O-RING | X | X | | | |
| 17 | 1 | PBC0015 | PUMP CASING / BER | | | | | |
| 18 | 1 | PBC0018 | PUMP CASING / IMP | | | | | |
| 19 | 1 | RET0007 | RETAINER | X | | | | |
| 20 | 1 | RET0010 | RETAINER | X | | | | |
| 21 | 1 | SHA0011 | SHAFT | X | | | | |
| 22 | 1 | SNP0008 | SNAP-RING | X | X | | | |
| 23 | 1 | SNP0013 | SNAP-RING | X | | | | |
| 24 | 1 | WER0004 | WEAR PLATE | X | X | | | |

| PART LIST | | | | | |
|-----------|----|---------|-----------|----|-----------|
| 항목 | 수량 | 부품번호 | 주제 | 재질 | 설명 |
| 1 | 1 | PUA0017 | PUMP ASSY | | JPR-50LPL |



| | | | | | |
|--------------------|-------------------------|--------------------|---------------------------|--------------------|----------------|
| Drawing by 강 명진 | Checked by Y.D. JEON | Approved by - date | Model Name JPR-50LPL | Date 2013-10-25 | Scale 1 : 1 |
| | | | PUMP PART'S VIEW | | |
| | | | PART NUMBER PUA0017(0) | Edition 0 | Sheet A2 |