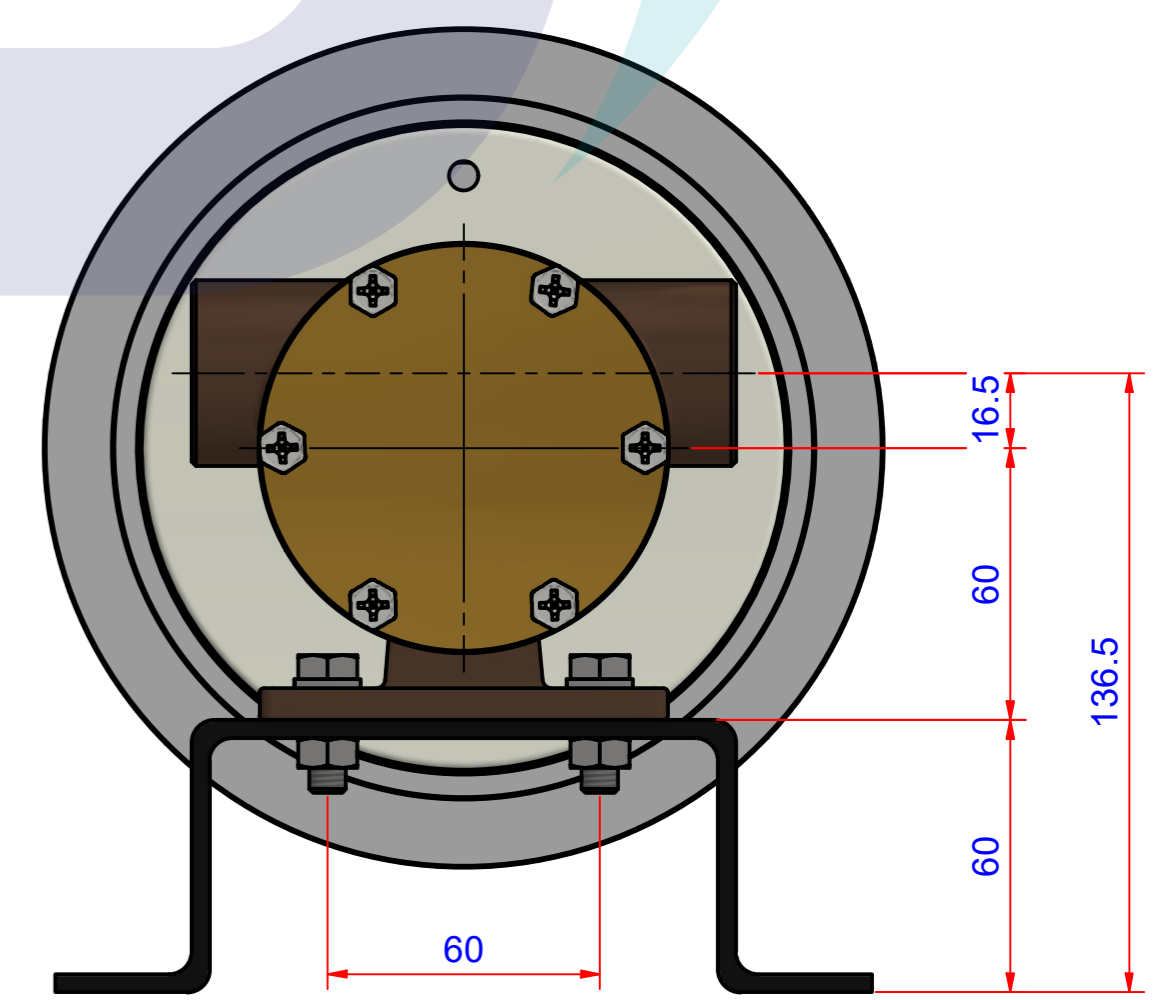
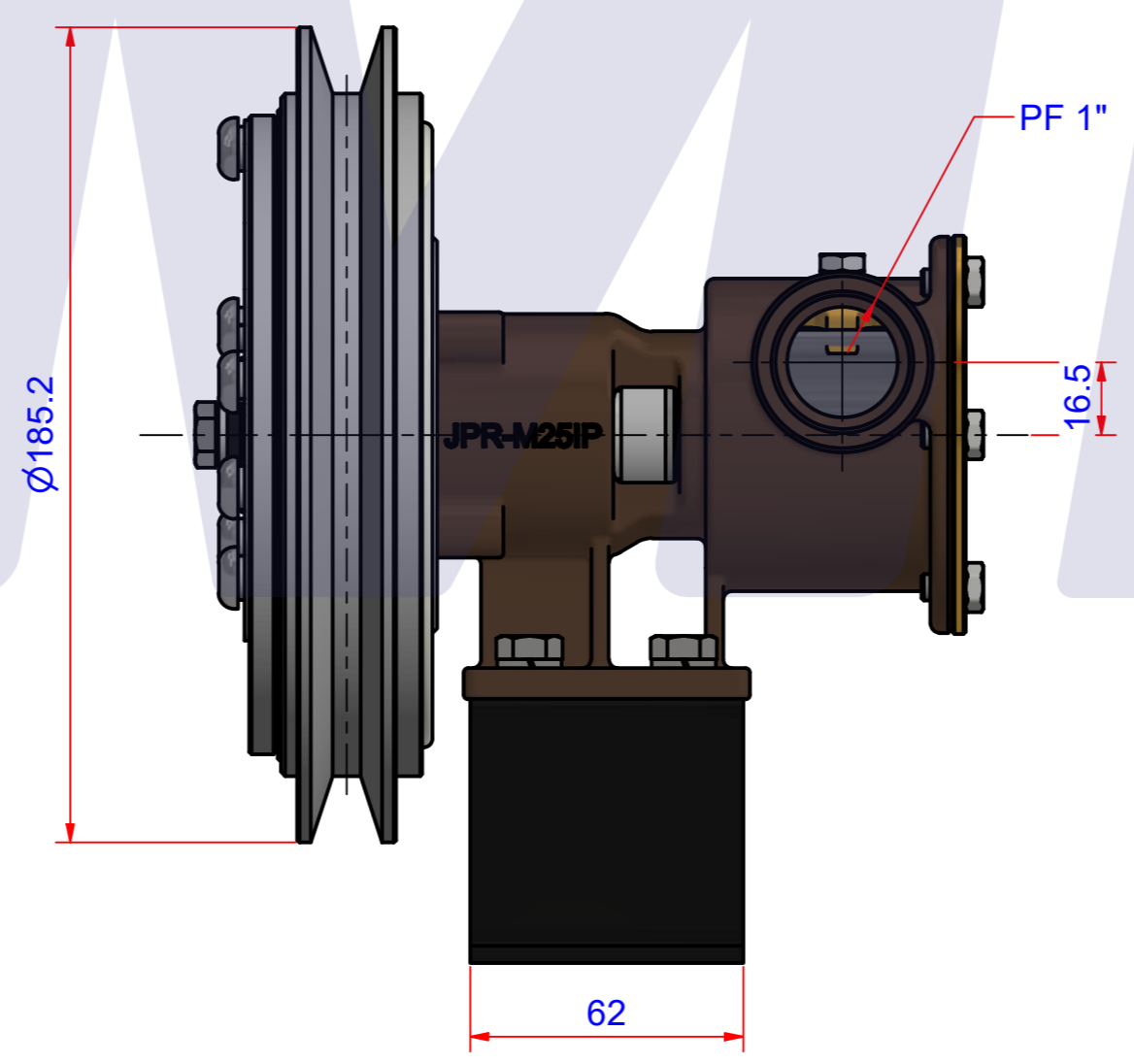
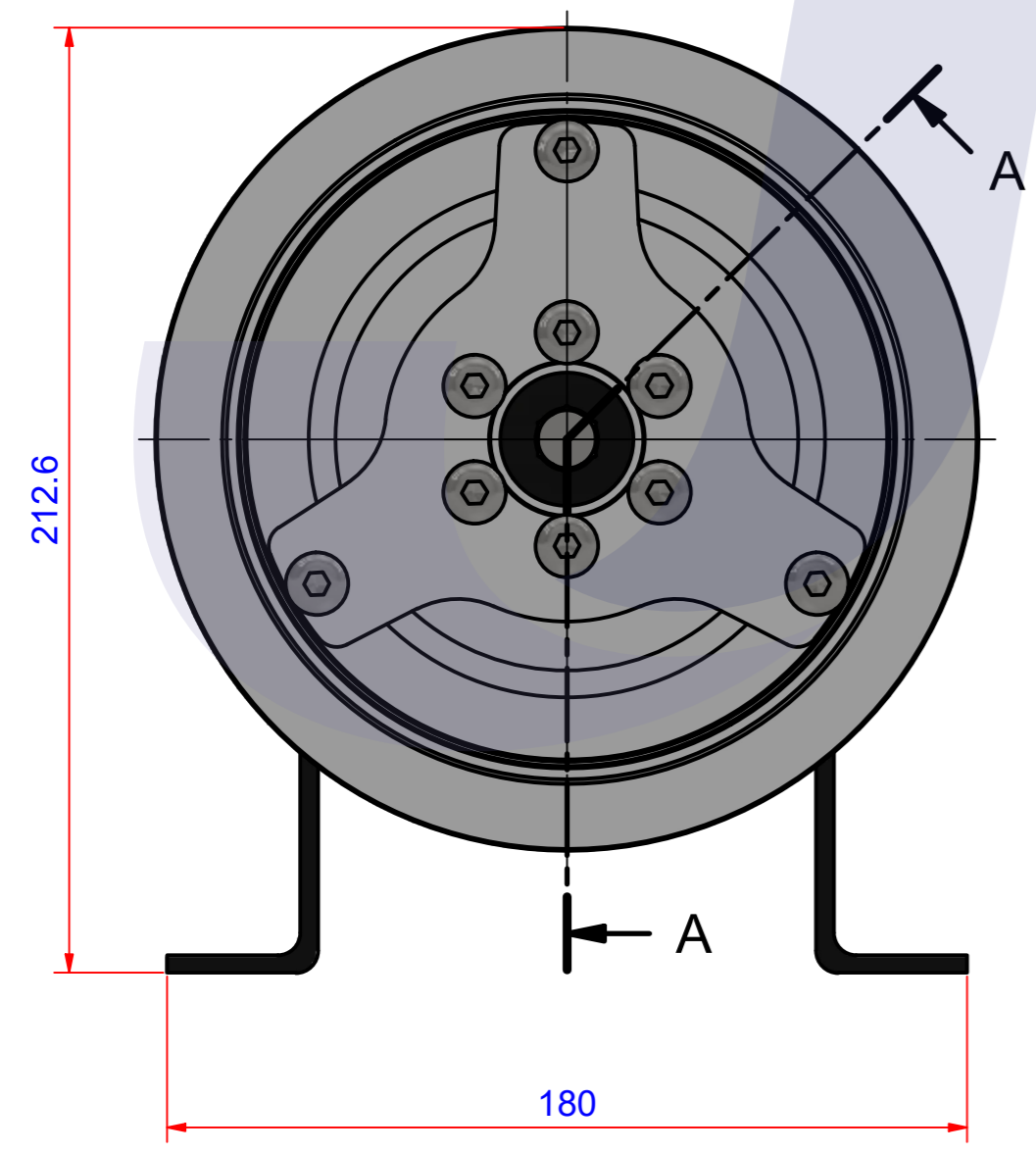
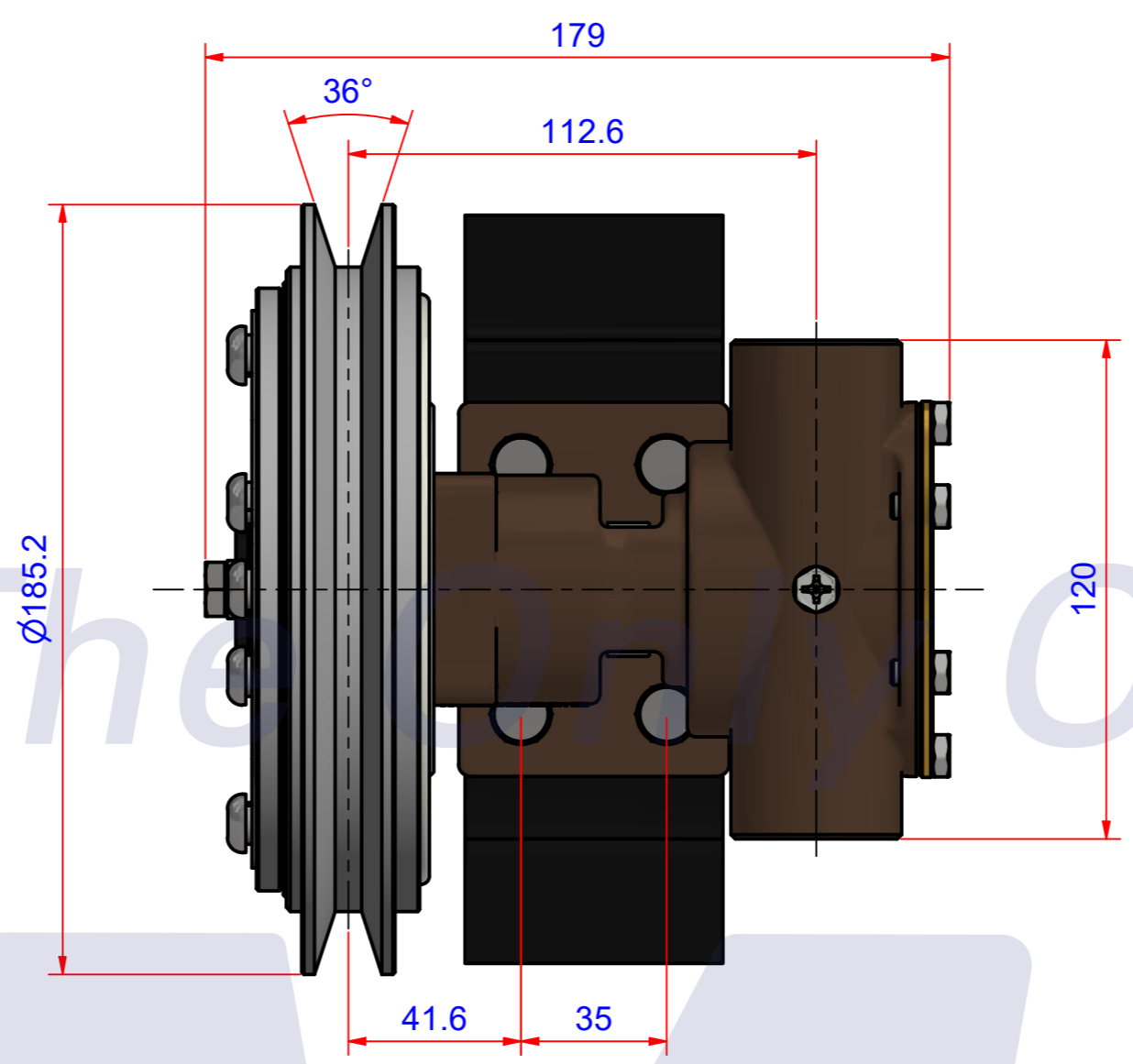
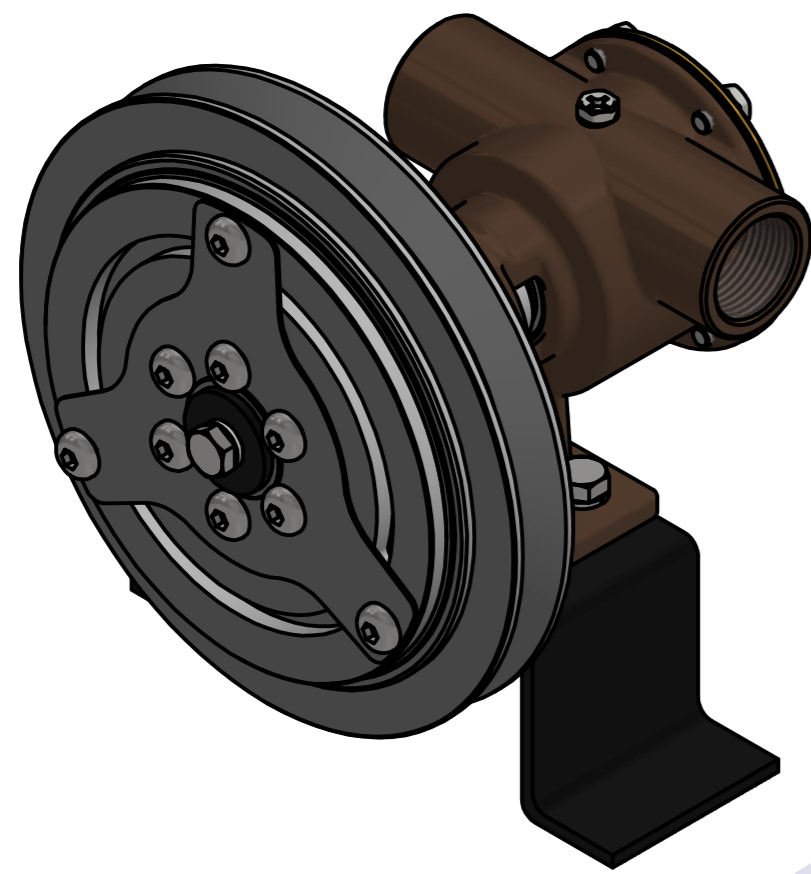


Parts List					
ITEM	QTY	PART NUMBER	PART NAME	MAT	DIMENSION
1	1	PUA0024	PUMP ASSY"		M25IP-1B



Drawing by	Checked by	Approved by - date	Model Name	Date	Scale
강 명진	Y.D. JEON		JPR-M25IP	2006-08-17	1 : 1
			PUMP ASSY		
			PART NUMBER	Edition	Sheet
			PUA0024(0)	0	A2

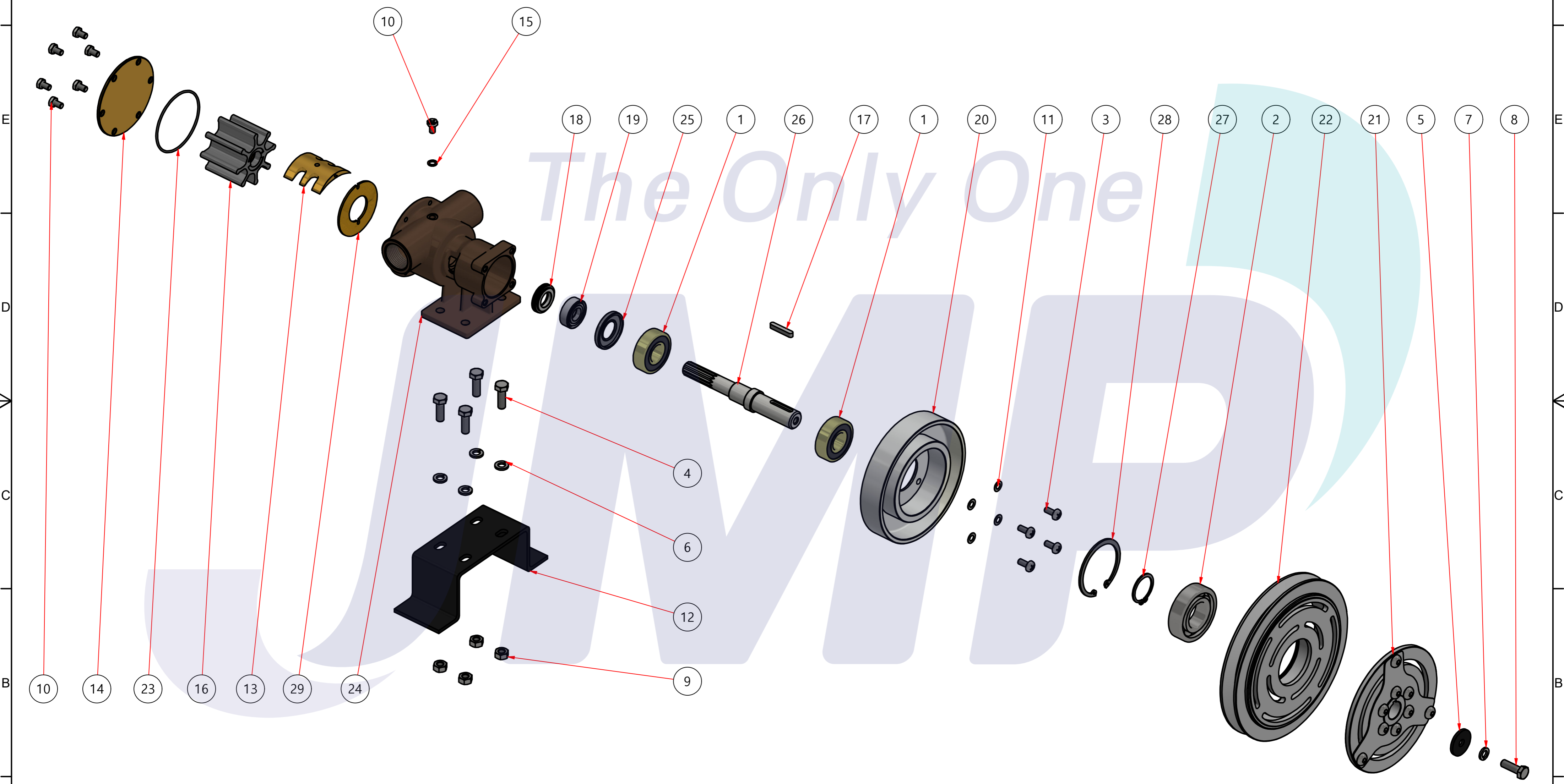
품번	PUA0024
품명	JPR-M25IP (1B-24V)

A: MAJOR KIT B: MINOR KIT C: CAM SET D: M-SEAL SET E: IMPELLER KIT F: CLUTCH SET G: COIL SET H: CLUTCH FULL SET

No.	QTY	PART NUMBER	PART NAME	A (JSK0050)	B (JSM0008)	C (CAMSET000301)	D (MCSSET0008)	E (JIKJMP024)	F (MCT0004)	G (MCT0011A)	H (MCT0212)
1	2	BER0001	BEARING	X							
2	1	BER0034	BEARING						X		X
3	4	BOL0004	SCREW							X	X
4	4	BOL0008	HEX BOLT								
5	1	BOL0034	FLAT WASHER								X
6	4	BOL0036	SPRING WASHER								
7	1	BOL0037	SPRING WASHER								X
8	1	BOL0059	HEX BOLT								X
9	4	BOL0078	NUT								
10	7	BOL0080	HEX SCREW	X	X	X (1)					
11	4	BOL0187	RIBBED LOCK WASHER							X	X
12	1	BRK0001	BRACKET								
13	1	CAM000301	CAM	X	X	X					
14	1	COV000301	COVER	X	X						
15	1	GAK0009	FIBER GASKET	X	X	X					
16	1	7400-01	RUBBER IMPELLER	X	X			X			
17	1	KEY0003	KEY	X							
18	1	MCS0013	CERAMICS	X	X		X				
19	1	MCS0016	CARBON	X	X		X				
20	1	MCT0011	COIL							X	X
21	1	MCT0101	CLUTCH UP						X		X
22	1	MCT0103	CLUTCH DOWN						X		X
23	1	ORG0013	O-RING	X	X			X			
24	1	PBC0095	PUMP CASING								
25	1	RET0021	RETAINER	X							
26	1	SHA0055	SHAFT	X							
27	1	SNP0005	SNAP-RING						X		X
28	1	SNP0013	SNAP-RING						X		X
29	1	WER0001	WEAR PLATE	X	X						

If MCT0011(24V) of PUA0024 is replaced with MCT0010(12V)
It can be used as PUA002402

부품 리스트					
항목	수량	부품번호	주제	재질	설명
1	1	PUA0024	PUMP ASSY		JPR-M25IP (1B-24V)



Drawing by C.H HWANG	Checked by C.I. JEON	Approved by - date	Model Name JPR-M25IP(B)	Date 2020-10-08	Scale 0.35 : 1
			PUMP PARTS VIEW		
			PART NUMBER PUA0024(0)	Edition 0	Sheet A2