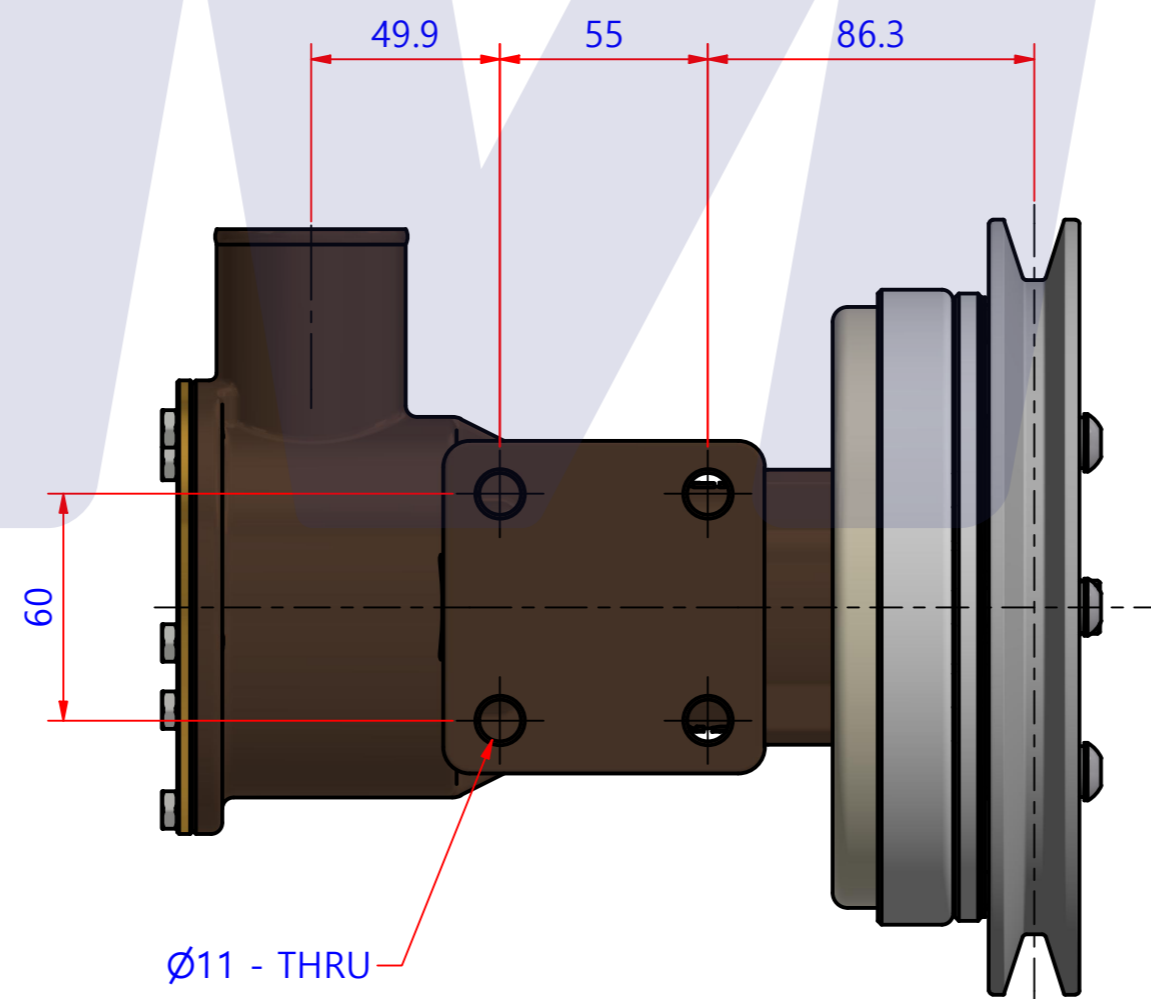
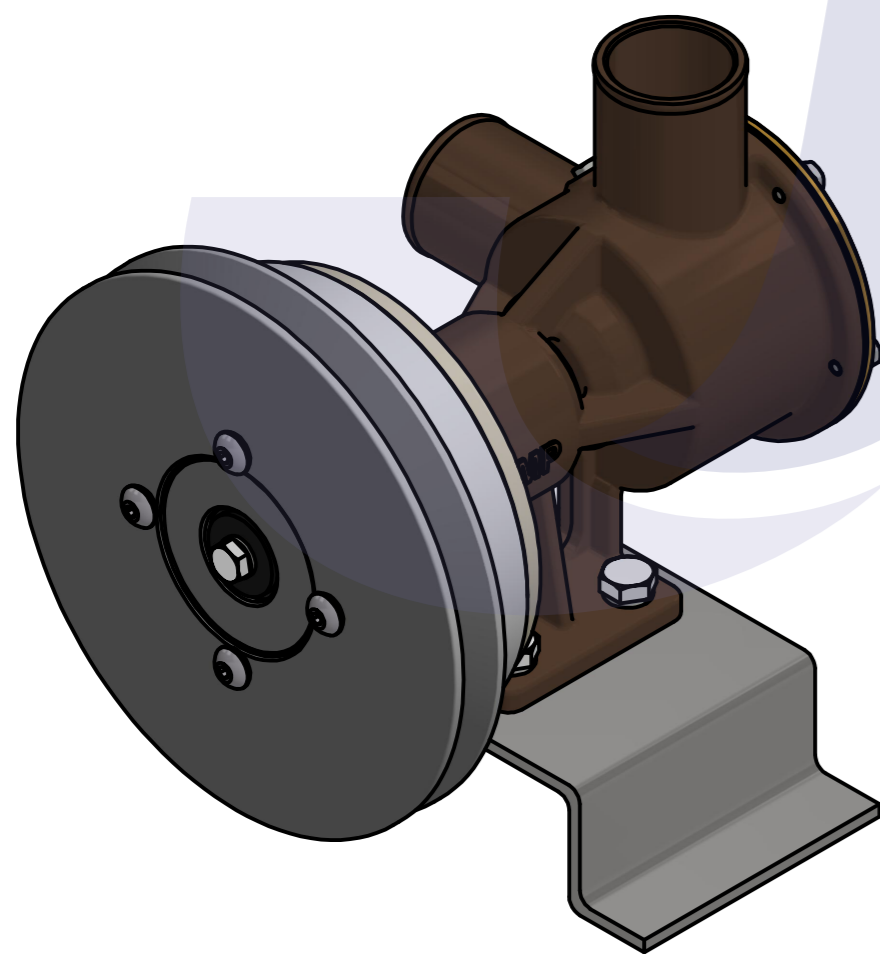
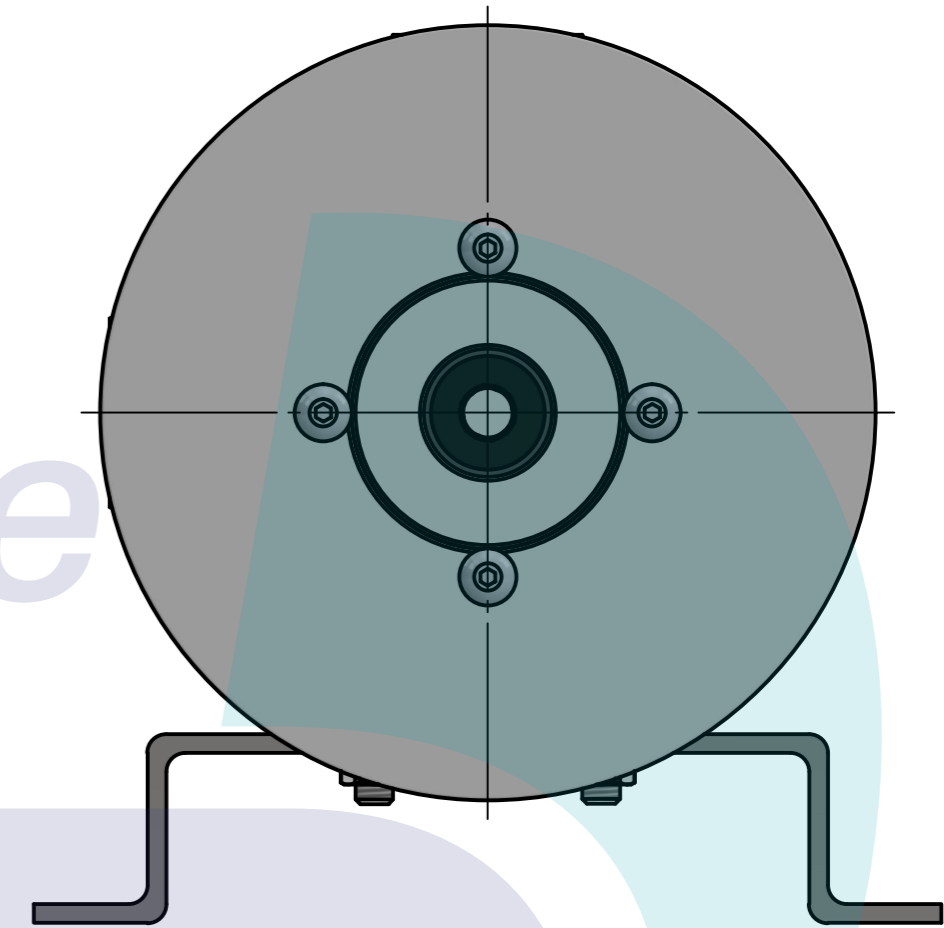
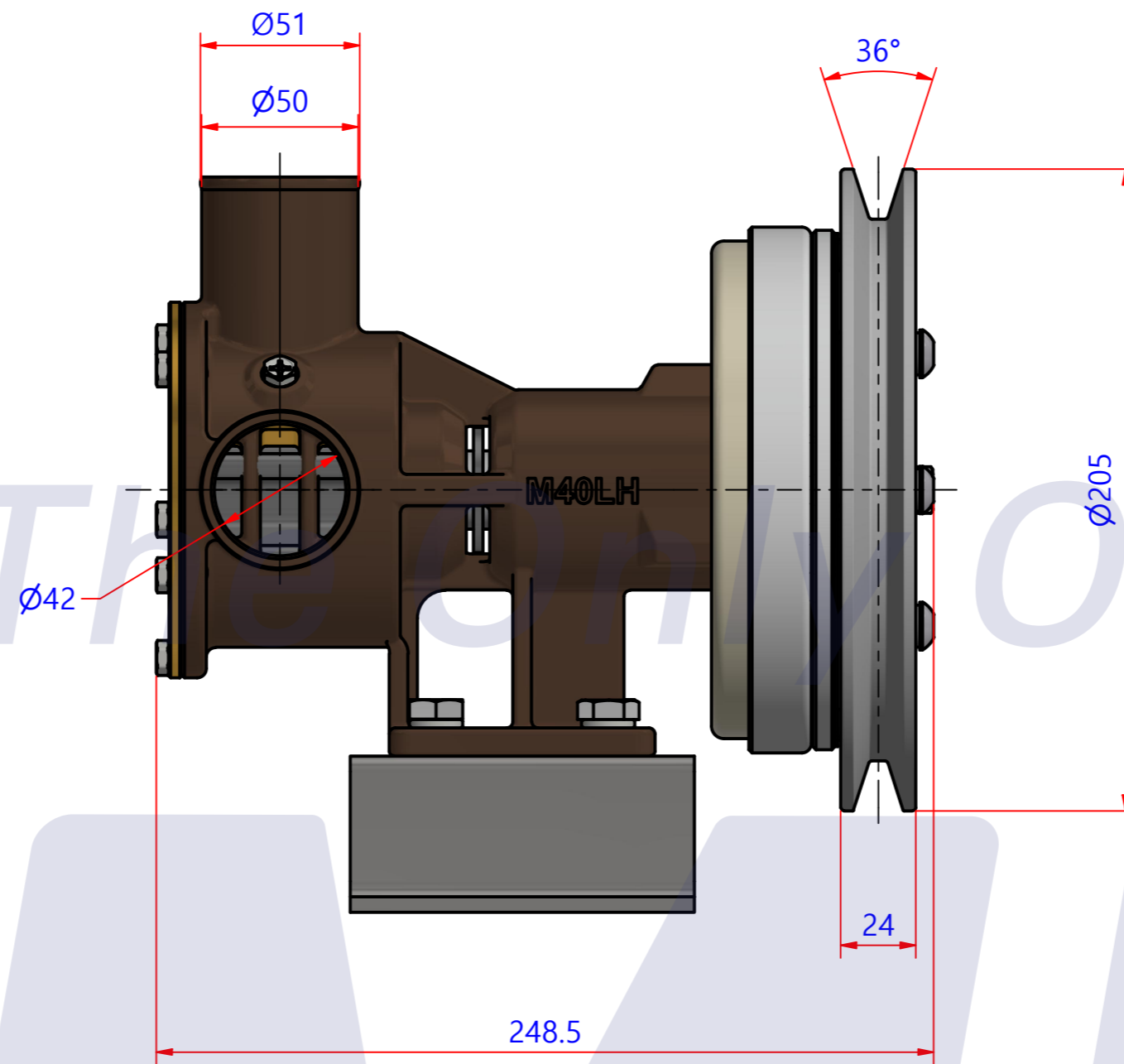
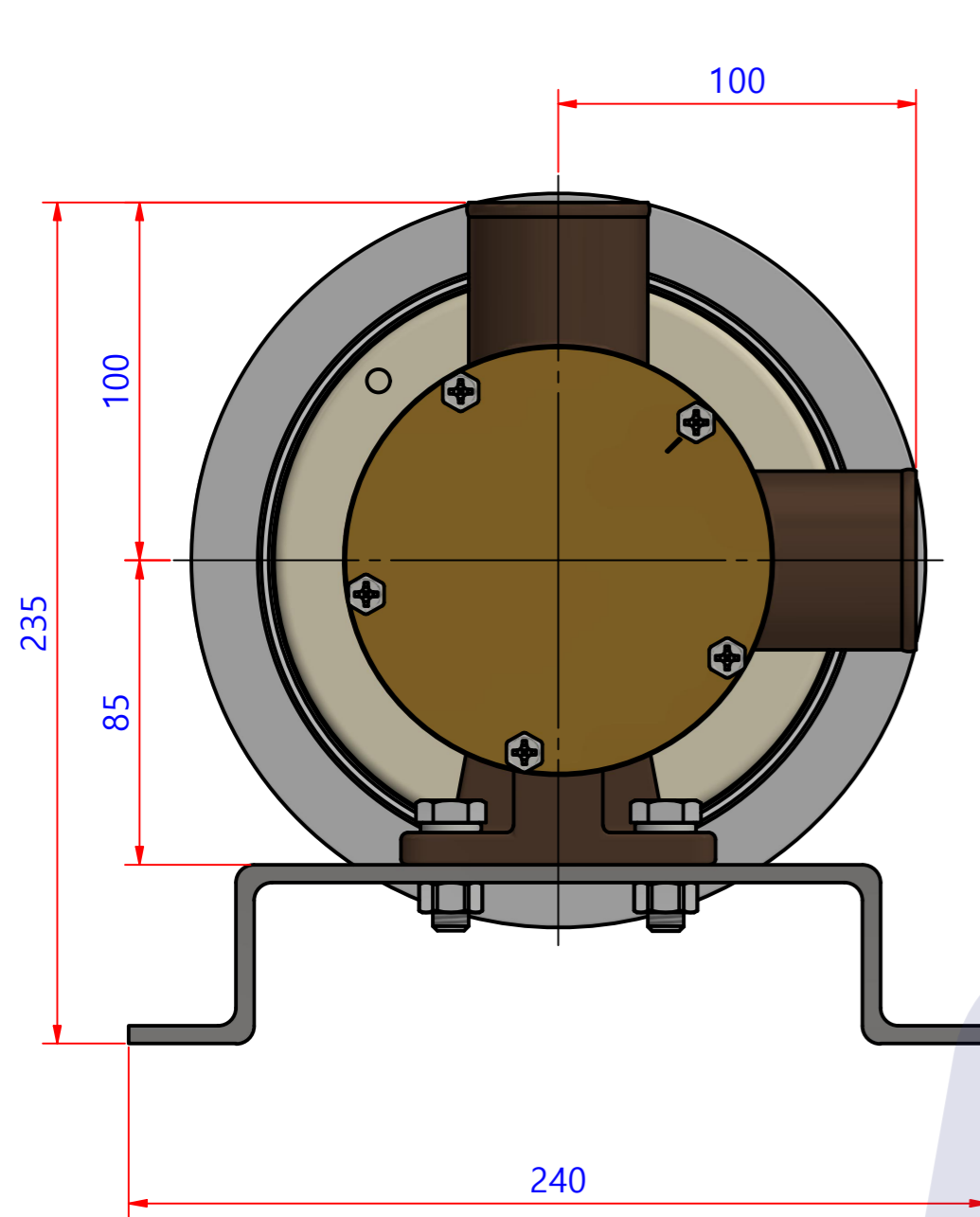


부품 리스트					
항목	수량	부품번호	주제	재질	설명
1	1	PUA0013	PUMP ASSY		JPR-M40LH (1B-24V)



Drawing by C.H HWANG	Checked by C.I, JEON	Approved by - date	Model Name JPR-M40LH(B)	Date 2020-09-25	Scale 1 : 2
			PUMP ASSY		
			PART NUMBER PUA0013(0)	Edition 0	Sheet A2

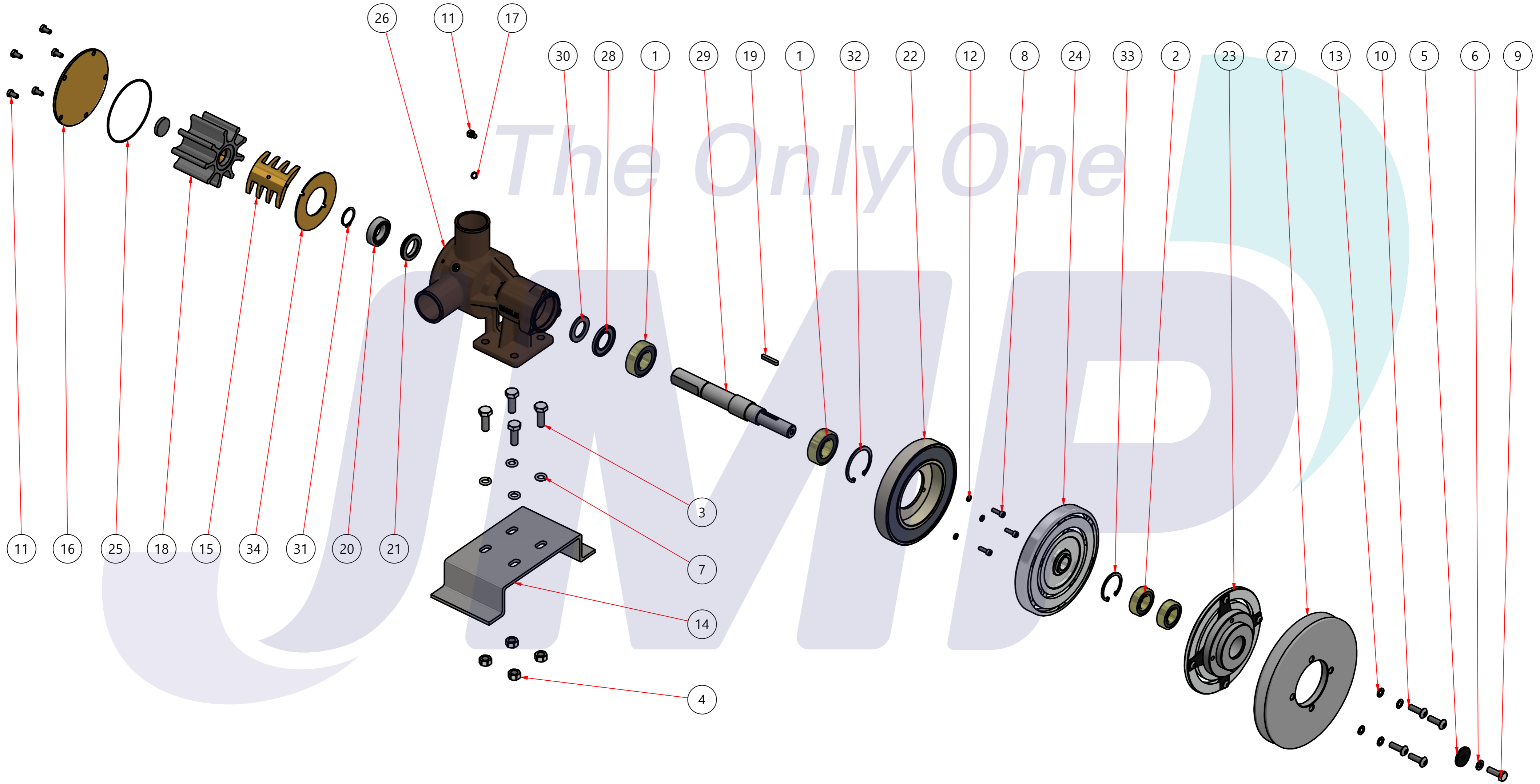
품번	PUA0013
품명	JPR-M40LH (1B-24V)

A: MAJOR KIT B: MINOR KIT C: CAM SET D: M-SEAL SET E: IMPELLER KIT F: CLUTCH SET G: COIL SET H: CLUTCH FULL SET

No.	QTY	PART NUMBER	PART NAME	A (JSK0009)	B (JSM0038)	C (CAMSET0005)	D (MCSSET0003)	E (JIKJMP037)	F (MCT0001)	G (MCT0021A)	H (MCT0201)
1	2	BER0003	BEARING	X							
2	2	BER0033	BEARING						X		X
3	4	BOL0012	HEX BOLT								
4	4	BOL0018	NUT								
5	1	BOL0034	FLAT WASHER								X
6	1	BOL0037	SPRING WASHER								X
7	4	BOL0038	SPRING WASHER								
8	3	BOL0054	HEX WRENCH BOLT							X	X
9	1	BOL0059	HEX BOLT								X
10	4	BOL0067	HEX WRENCH BOLT								X
11	6	BOL0081	HEX SCREW	X	X	X					
12	3	BOL0084	SPRING WASHER							X	X
13	4	BOL0150	RIBBED LOCK WASHER								X
14	1	BRK0002	BRACKET								
15	1	CAM0005	CAM	X	X	X					
16	1	COV0005	COVER	X	X						
17	1	GAK0009	FIBER GASKET	X	X	X					
18	1	8001-01	RUBBER IMPELLER	X	X			X			
19	1	KEY0003	KEY	X							
20	1	MCS0004	CARBON	X	X		X				
21	1	MCS0009	CERAMIC	X	X		X				
22	1	MCT0021	COIL							X	X
23	1	MCT0104	CLUTCH UP						X		X
24	1	MCT0105	CLUTCH DOWN						X		X
25	1	ORG0015	O-RING	X	X			X			
26	1	PBC0013	PUMP CASING								
27	1	PUL0012	PULLEY								X
28	1	RET0007	RETAINER	X							
29	1	SHA0009	SHAFT	X							
30	1	SLI0003	SLINGER	X							
31	1	SNP0008	SNAP-RING	X	X						
32	1	SNP0011	SNAP-RING	X							
33	1	SNP0017	SNAP-RING						X		X
34	1	WER0003	WEAR PLATE	X	X						

If MCT0021 (24V) of PUA0013 is replaced with MCT0020 (12V)  
It can be used as PUA001301

부품 리스트		주제	재질	설명
항목	수량	부품번호		
1	1	PUA0013	PUMP ASSY	JPR-M40LH (1B-24V)



Drawing by <b>C.H HWANG</b>	Checked by C.I, JEON	Approved by - date	Model Name JPR-M40LH(B)	Date 2020-10-06	Scale 0.25:1
		<b>PUMP ASSY</b>			
		PART NUMBER PUA0013(0)	Edition 0	Sheet A2	