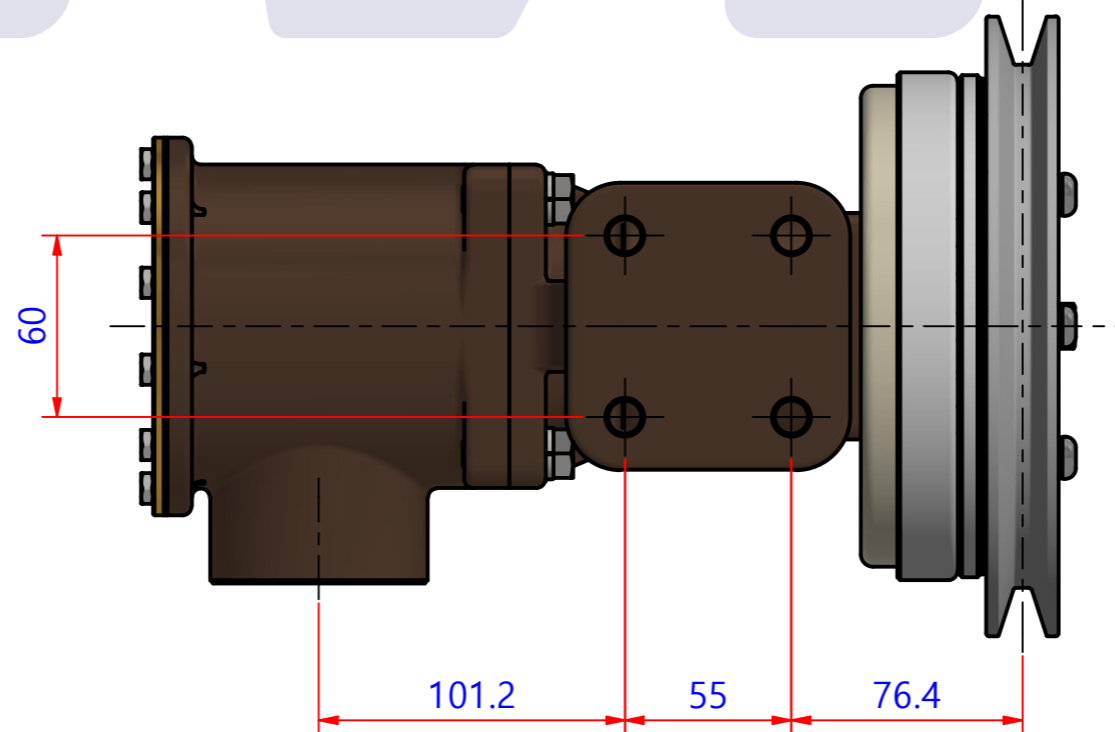
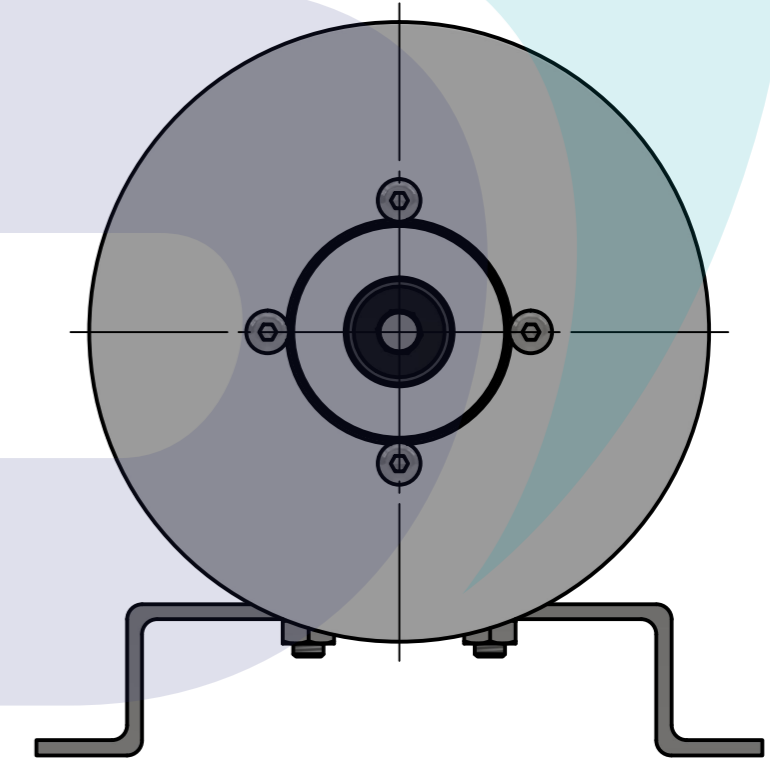
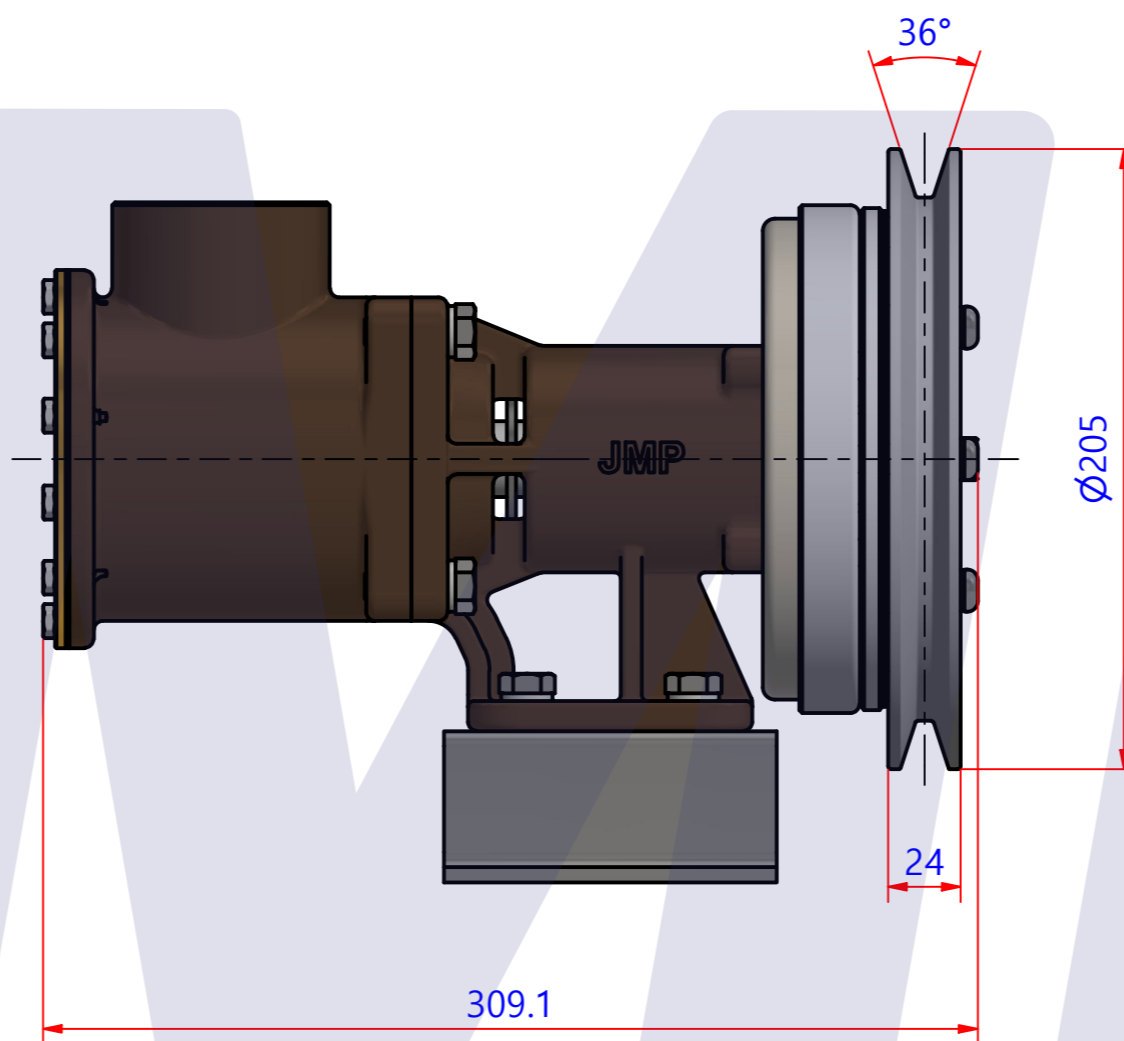
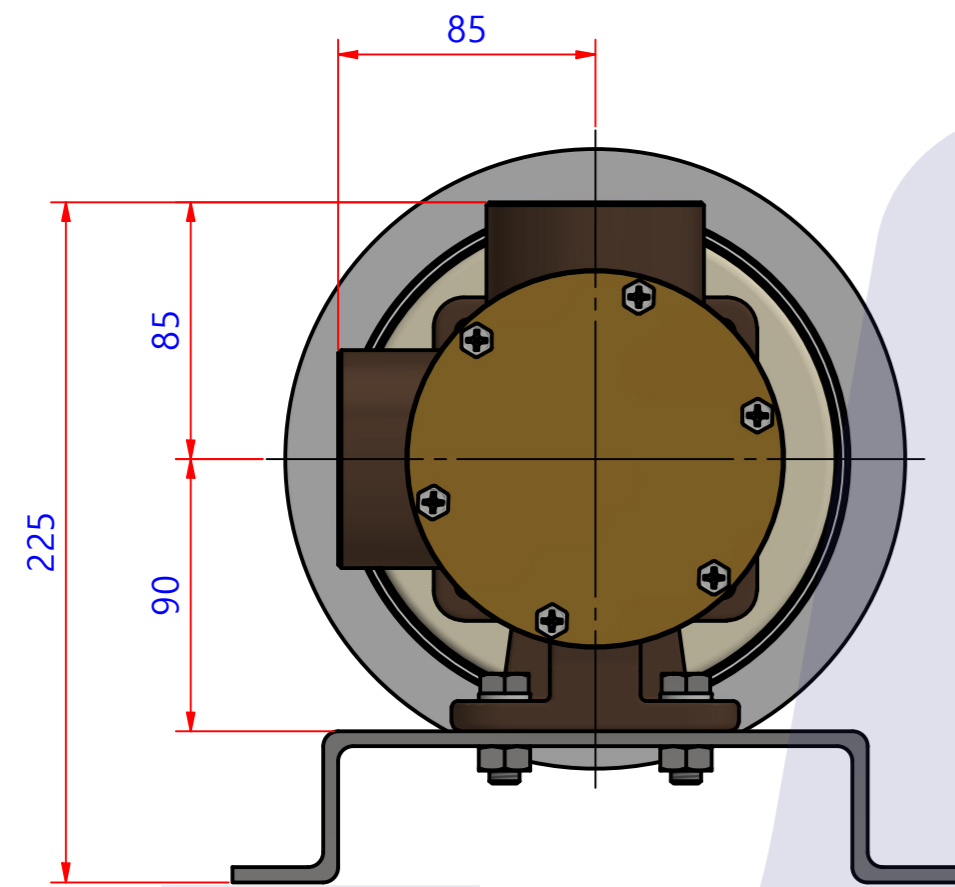
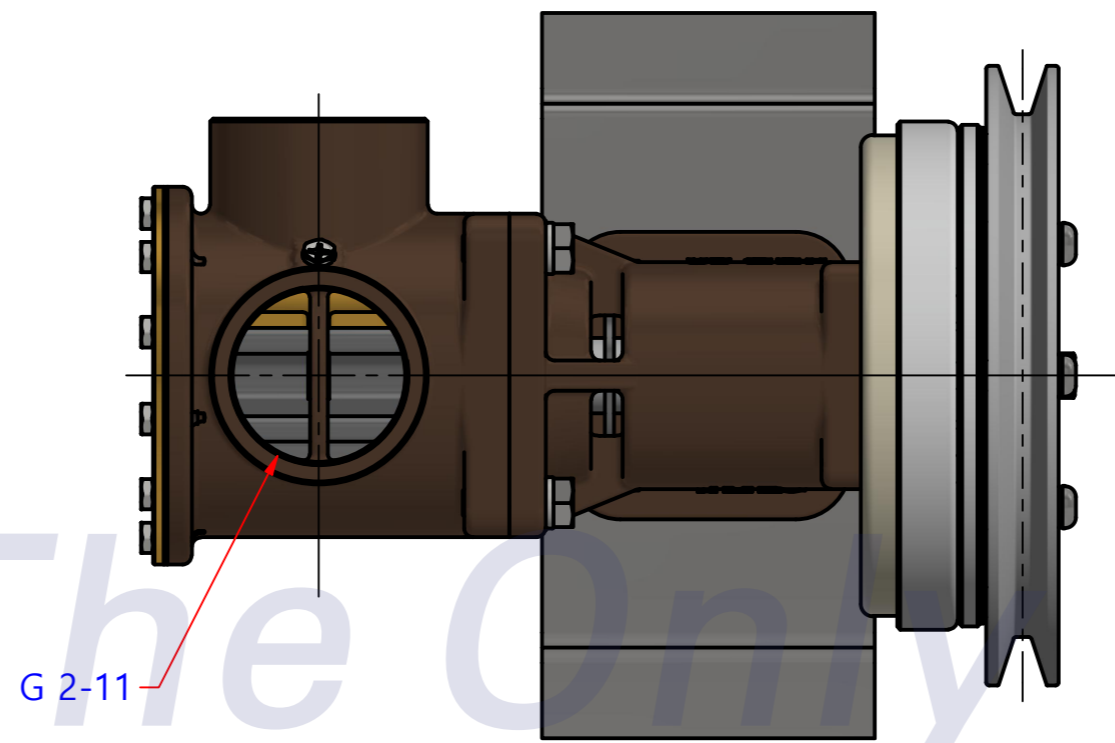
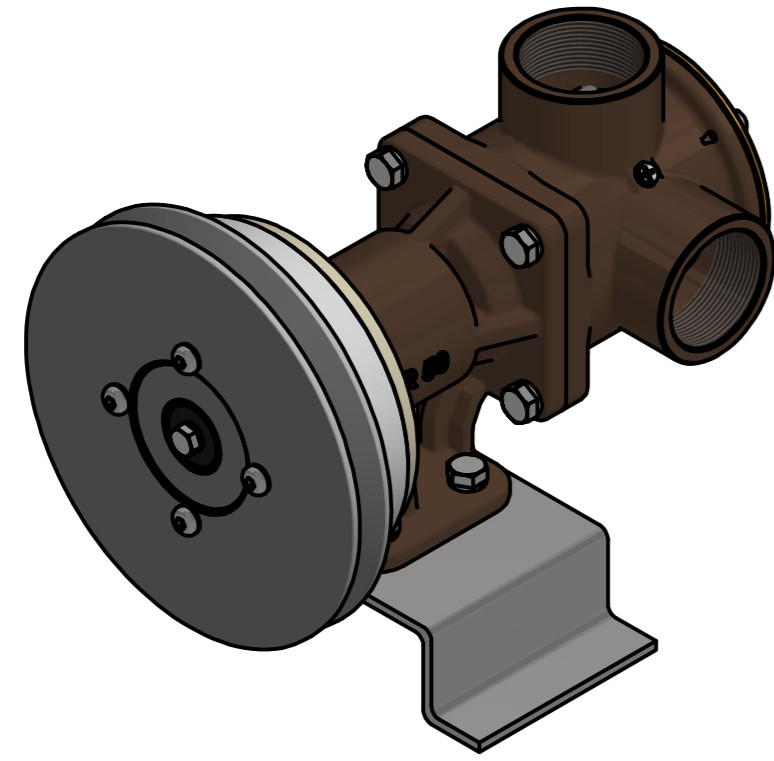


부품 리스트					
항목	수량	부품번호	주제	재질	설명
1	1	PUA0018	PUMP ASSY		JPR-M50LPL (1B-24V)



Drawing by C.H HWANG	Checked by C.I. JEON	Approved by - date	Model Name JPR-M50LPL(B)	Date 2020-09-28	Scale 0.4:1
		PUMP ASSY			
		PART NUMBER PUA0018(0)	Edition 0	Sheet A2	

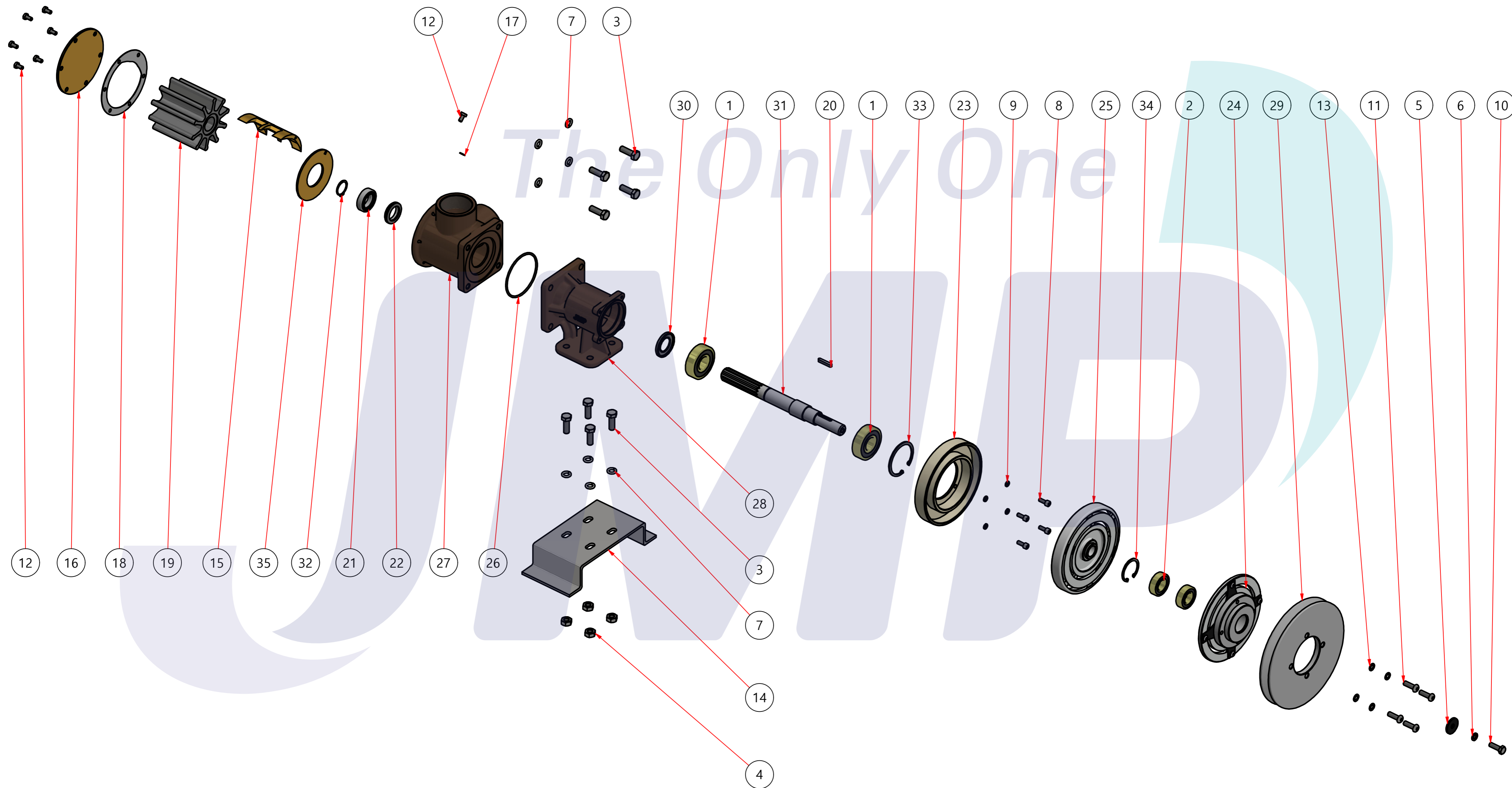
품번	PUA0018
품명	JPR-M50LPL (1B-24V)

A: MAJOR KIT B: MINOR KIT C: CAM SET D: M-SEAL SET E: IMPELLER KIT F: CLUTCH SET G: COIL SET H: CLUTCH FULL SET

No.	QTY	PART NUMBER	PART NAME	A (JSK0013)	B (JSM0012)	C (CAMSET0008)	D (MCSSET0003)	E (JIKJMP050)	F (MCT0001)	G (MCT0031A)	H (MCT0205)
1	2	BER0006	BEARING	X							
2	2	BER0033	BEARING						X		X
3	8	BOL0012	HEX BOLT	X (4)							
4	4	BOL0018	NUT								
5	1	BOL0034	FLAT WASHER								X
6	1	BOL0037	SPRING WASHER								X
7	8	BOL0038	SPRING WASHER	X (4)							
8	4	BOL0053	HEX WRENCH BOLT							X	X
9	4	BOL0055	SPRING WASHER							X	X
10	1	BOL0059	HEX BOLT								X
11	4	BOL0067	HEX WRENCH BOLT								X
12	7	BOL0081	HEX SCREW	X	X	X (1)					
13	4	BOL0150	RIBBED LOCK WASHER								X
14	1	BRK0002	BRACKET								
15	1	CAM0008	CAM	X	X	X					
16	1	COV0008	COVER	X	X						
17	1	GAK0009	FIBER GASKET	X	X	X					
18	1	GAK0019	GASKET	X	X			X			
19	1	8400-01	RUBBER IMPELLER	X	X			X			
20	1	KEY0003	KEY	X							
21	1	MCS0004	CARBON	X	X		X				
22	1	MCS0009	CERAMIC	X	X		X				
23	1	MCT0031	COIL							X	X
24	1	MCT0104	CLUTCH UP						X		X
25	1	MCT0105	CLUTCH DOWN						X		X
26	1	ORG0009	O-RING	X	X						
27	1	PBC0018	IMPELLER CASING								
28	1	PBC0019	BEARING CASING								
29	1	PUL0012	PULLEY								X
30	1	RET0007	RETAINER	X							
31	1	SHA0013	SHAFT	X							
32	1	SNP0008	SNAP-RING	X	X						
33	1	SNP0013	SNAP-RING	X							
34	1	SNP0017	SNAP-RING						X		X
35	1	WER0004	WEAR PLATE	X	X						

If MCT0031A (24V) of PUA0018 is replaced with MCT0030(12V)
It can be used as PUA001801

부품 리스트					
항목	수량	부품번호	주제	재질	설명
1	1	PUA0018	PUMP ASSY		JPR-M50LPL (1B-24V)



Drawing by C.H HWANG	Checked by C.I, JEON	Approved by - date	Model Name JPR-M50LPL(B)	Date 2020-10-07	Scale 0.21:1
			PUMP PARTS VIEW		
			PART NUMBER PUA0018(0)	Edition 0	Sheet A2